



RCN CATALOGUE OF MATERIEL

RESTRICTED

NATO CLASS

5955

PIEZOELECTRIC CRYSTALS

SUPERSEDES

RCN CLASS 460, DATED JULY 1956
RCN CLASS 762, DATED NOVEMBER 1957

AUGUST 1963

PUBLISHED BY AUTHORITY OF THE NAVAL SECRETARY

BRCN 213





NOTES

A series of horizontal dotted lines for writing notes, spanning the width of the page.



RCN Catalogue of Materiel

5955



ROYAL CANADIAN NAVY

This Class of the RCN Catalogue of Materiel (BRCN 213), having been approved, is hereby promulgated and shall be inserted in the appropriate binder on receipt of this order. Destroy the superseded Edition and Supplement.

30 AUGUST, 1963

NAVAL SECRETARY

To all Flag Officers, Officers Commanding Her Majesty's Canadian Ships and Establishments, and to all others concerned

FOREWORD

STOCK NUMBERS: The material listed herein has been identified according to North Atlantic Treaty Organization (NATO) identification rules. The NATO Stock Numbers assigned are shown as 13-digit numbers:



CONTENT: The content of this Class of BRCN 213 represents the range of materiel in this commodity by size, colour, style, etc., authorized as being sufficient for known operations.

Items outside this authorized range are not to be requisitioned without higher technical authority confirmation that there is no catalogued item to meet the requirement. Specific end uses of such items are to be stated.

TABLE NUMBERS are used with or without Item Numbers for the quick location of stock items within the Class.

ITEM NUMBERS, if used, are for further locating stock items, BUT ARE NOT TO BE USED FOR REQUISITIONING MATERIEL.

ILLUSTRATIONS may be typical, rather than exact representations of the item.

TRADE NAMES are sometimes mentioned in a Class, solely to indicate the character or quality of the item, and in no way limit the procurement or use of the article to that particular trade name, manufacturer or company.

NATO SUPPLY CODE is a 5-digit code, used by the United States government as the Federal Supply Code for Manufacturers, and now adopted as the NATO Supply Code for Manufacturers by Canada and the United States. Suppliers and agencies not appearing in this NATO Supply Code will be coded from the superseded Naval Supply Code, with the first zero replaced by an S; e.g., S2059 for 02059.

SUPPLEMENTS are issued for the purpose of keeping Catalogue Classes up-to-date and are printed on yellow stock. File them following the white pages of the Class to which they apply. Yellow pages will immediately indicate the presence of Class revision.

SYMBOLS

★ ADDED ITEMS which have been added to this Class since the publication of the previous Edition or Supplement, and which appear in BRCN 213 for the first time, are indicated by the star symbol ★ prefixed to the NATO Stock Number(s) listed in the NATO Stock Number Index.

⚓ SPECIAL AND LIMITED APPLICATION ITEMS are based on special requirements, and procurement can only be initiated after the Technical Authority concerned has been approached and has given its approval.

● DYING ITEMS are good items which will not be procured in future. THEY ARE TO BE USED WHENEVER POSSIBLE.

Such items are indicated in the RCN Catalogue of Materiel by the blackball symbol ● prefixed to the NATO Stock Number(s),

SPECIAL INFORMATION PERTAINING TO THIS CLASS

This NATO Class of BRCN 213 contains a consolidation of all Stock Numbers in the Class, formerly listed in Part 1 and Part 2.



RCN Catalogue of Materiel

5955

CONTENTS

REFERENCE INFORMATION	PAGE 5
STANDARD ITEMS	27
<p>These Standard Items represent the range of material in this commodity, listed by specification, manufacturer's reference, size, style, colour, etc.</p>	
DYING ITEMS	93

These are good items which will not be procured in future.
THEY ARE TO BE USED WHENEVER POSSIBLE.

REFERENCE INFORMATION

ALPHABETIC INDEX

TABLE			TABLE		
ITEM NAME	STD	●	ITEM NAME	STD	●
CLIPS, ELECTRICAL	411		GAGES, CRYSTAL UNIT	415	549
CRYSTAL UNIT SETS, QUARTZ	410		HOLDERS, QUARTZ CRYSTAL	417	
CRYSTAL UNITS, QUARTZ	3-409	423-547	OVENS, CRYSTAL	419	
EXTRACTORS, CRYSTAL UNIT	413		RETAINERS, CRYSTAL HOLDER	421	

NATO STOCK NUMBER INDEX

NATO STOCK NO	TABLE	NATO STOCK NO	TABLE	NATO STOCK NO	TABLE
★E 5955-00-678-1956	317	5955-21-460-0016	3, 45	5955-21-460-0040	427, 467
★E 5955-00-678-1957	↑	5955-21-460-0017	↑	5955-21-460-0041	427, 467
★E 5955-00-678-1958	↑	5955-21-460-0018	↑	5955-21-460-0042	427, 467
★E 5955-00-678-1959	↑	5955-21-460-0020	↑	5955-21-460-0046	429, 489
★E 5955-00-678-1950	↑	5955-21-460-0021	↑	5955-21-460-0047	↑
★E 5955-00-679-9449	317	5955-21-460-0022	↑	5955-21-460-0048	↑
5955-21-460-0000	423, 493	5955-21-460-0023	↑	5955-21-460-0049	↑
5955-21-460-0001	423, 493	5955-21-460-0024	↑	5955-21-460-0050	↑
5955-21-460-0002	423, 493	5955-21-460-0025	↑	5955-21-460-0051	↑
5955-21-460-0003	423, 493	5955-21-460-0026	3, 45	5955-21-460-0052	↑
5955-21-460-0004	425, 491	5955-21-460-0027	427, 467	5955-21-460-0053	↑
5955-21-460-0005	425, 491	5955-21-460-0028	427, 467	5955-21-460-0054	↑
5955-21-460-0006	425, 491	5955-21-460-0029	3, 45	5955-21-460-0055	↑
5955-21-460-0007	425, 491	5955-21-460-0030	427, 467	5955-21-460-0056	↑
5955-21-460-0008	3, 45	5955-21-460-0031	427, 467	5955-21-460-0057	↑
5955-21-460-0009	↑	5955-21-460-0032	3, 45	5955-21-460-0058	↑
5955-21-460-0010	↑	5955-21-460-0033	427, 467	5955-21-460-0059	↑
5955-21-460-0011	↑	5955-21-460-0034	3, 45	5955-21-460-0060	↑
5955-21-460-0012	↑	5955-21-460-0035	3, 45	5955-21-460-0061	↑
5955-21-460-0013	↑	5955-21-460-0036	3, 45	5955-21-460-0062	↑
5955-21-460-0014	↑	5955-21-460-0037	427, 467	5955-21-460-0063	↑
5955-21-460-0015	3, 45	5955-21-460-0038	427, 467	5955-21-460-0064	429, 489



REFERENCE INFORMATION NATO STOCK NUMBER INDEX

NATO STOCK NO	TABLE	NATO STOCK NO	TABLE	NATO STOCK NO	TABLE
5955-21-460-0065	429, 489	5955-21-460-0293	17, 65	5955-21-460-0377	25, 67
5955-21-460-0066	429, 489	5955-21-460-0294	↑ ↑	5955-21-460-0378	↑ ↑
5955-21-460-0067	429, 489	5955-21-460-0296	↑ ↑	5955-21-460-0379	↑ ↑
5955-21-460-0068	431, 487	5955-21-460-0297	↑ ↑	5955-21-460-0880	↑ ↑
5955-21-460-0069	↑ ↑	5955-21-460-0298	17, 65	5955-21-460-0381	25, 67
5955-21-460-0070	↑ ↑	5955-21-460-0303	445, 485	5955-21-460-0382	453, 495
5955-21-460-0071	↑ ↑	5955-21-460-0306	445, 485	5955-21-460-0383	453, 495
5955-21-460-0072	↑ ↑	5955-21-460-0307	17, 65	5955-21-460-0384	453, 495
5955-21-460-0073	↑ ↑	5955-21-460-0308	17, 65	5955-21-460-0385	453, 495
5955-21-460-0074	↑ ↑	5955-21-460-0309	445, 485	5955-21-460-0386	27, 39
5955-21-460-0075	↑ ↑	5955-21-460-0314	19, 77, 79	5955-21-460-0387	↑ ↑
5955-21-460-0076	↑ ↑	5955-21-460-0315	19, 77	5955-21-460-0388	↑ ↑
5955-21-460-0077	↑ ↑	5955-21-460-0316	447, 499	5955-21-460-0389	↑ ↑
5955-21-460-0078	↑ ↑	5955-21-460-0317	19, 77	5955-21-460-0390	↑ ↑
5955-21-460-0079	↑ ↑	5955-21-460-0318	447, 499	5955-21-460-0391	↑ ↑
5955-21-460-0080	↑ ↑	5955-21-460-0319	19, 79	5955-21-460-0392	↑ ↑
5955-21-460-0081	↑ ↑	5955-21-460-0321	19, 77, 79	5955-21-460-0393	↑ ↑
5955-21-460-0082	↑ ↑	5955-21-460-0322	19, 77	5955-21-460-0394	↑ ↑
5955-21-460-0083	↑ ↑	5955-21-460-0323	19, 79	5955-21-460-0395	↑ ↑
5955-21-460-0084	↑ ↑	5955-21-460-0324	447, 499, 501	5955-21-460-0396	↑ ↑
5955-21-460-0085	↑ ↑	5955-21-460-0326	19, 77	5955-21-460-0397	↑ ↑
5955-21-460-0086	↑ ↑	5955-21-460-0328	19, 77	5955-21-460-0398	↑ ↑
5955-21-460-0087	↑ ↑	5955-21-460-0332	447, 499	5955-21-460-0399	↑ ↑
5955-21-460-0088	↑ ↑	5955-21-460-0336	19, 77	5955-21-460-0400	27, 39
5955-21-460-0089	431, 487	5955-21-460-0338	19, 77, 79	5955-21-460-0401	455, 463
5955-21-460-0134	5, 51	5955-21-460-0339	19, 77	5955-21-460-0402	455, 463
5955-21-460-0135	↑ ↑	5955-21-460-0340	19, 77, 79	5955-21-460-0403	455, 463
5955-21-460-0136	↑ ↑	5955-21-460-0341	19, 77	5955-21-460-0404	455, 463
5955-21-460-0137	↑ ↑	5955-21-460-0342	19, 77, 79	5955-21-460-0405	29, 81
5955-21-460-0139	↑ ↑	5955-21-460-0344	19, 77	5955-21-460-0406	29, 81
5955-21-460-0140	↑ ↑	5955-21-460-0346	19, 77	5955-21-460-0407	457, 503
5955-21-460-0141	5, 51	5955-21-460-0349	449, 481	5955-21-460-0409	29, 81
5955-21-460-0142	433, 473	5955-21-460-0350	21, 63	5955-21-460-0411	↑ ↑
5955-21-460-0143	7, 53	5955-21-460-0352	21, 63	5955-21-460-0412	↑ ↑
5955-21-460-0144	7, 53	5955-21-460-0353	21, 63	5955-21-460-0414	↑ ↑
5955-21-460-0152	9, 47	5955-21-460-0354	449, 481	5955-21-460-0415	↑ ↑
5955-21-460-0154	437, 469	5955-21-460-0355	21, 63	5955-21-460-0416	29, 81
5955-21-460-0167	439, 505	5955-21-460-0356	21, 63	5955-21-460-0420	457, 503
5955-21-460-0253	445, 485	5955-21-460-0357	21, 63	5955-21-460-0432	29, 81
5955-21-460-0258	445, 485	5955-21-460-0358	21, 63	5955-21-460-0433	↑ ↑
5955-21-460-0261	17, 65	5955-21-460-0359	451, 471	5955-21-460-0435	↑ ↑
5955-21-460-0264	445, 485	5955-21-460-0360	23, 49	5955-21-460-0436	↑ ↑
5955-21-460-0265	17, 65	5955-21-460-0363	23, 49	5955-21-460-0437	↑ ↑
5955-21-460-0266	↑ ↑	5955-21-460-0364	451, 471	5955-21-460-0438	↑ ↑
5955-21-460-0267	↑ ↑	5955-21-460-0365	23, 49	5955-21-460-0440	↑ ↑
5955-21-460-0268	↑ ↑	5955-21-460-0366	23, 49	5955-21-460-0442	↑ ↑
5955-21-460-0269	↑ ↑	5955-21-460-0367	25, 67	5955-21-460-0443	↑ ↑
5955-21-460-0283	↑ ↑	5955-21-460-0368	↑ ↑	5955-21-460-0444	↑ ↑
5955-21-460-0285	↑ ↑	5955-21-460-0369	↑ ↑	5955-21-460-0445	↑ ↑
5955-21-460-0286	↑ ↑	5955-21-460-0370	↑ ↑	5955-21-460-0447	↑ ↑
5955-21-460-0287	↑ ↑	5955-21-460-0371	↑ ↑	5955-21-460-0449	↑ ↑
5955-21-460-0288	↑ ↑	5955-21-460-0372	↑ ↑	5955-21-460-0450	↑ ↑
5955-21-460-0289	↑ ↑	5955-21-460-0373	↑ ↑	5955-21-460-0451	↑ ↑
5955-21-460-0290	↑ ↑	5955-21-460-0374	↑ ↑	5955-21-460-0452	↑ ↑
5955-21-460-0291	↑ ↑	5955-21-460-0375	↑ ↑	5955-21-460-0455	29, 81
5955-21-460-0292	17, 65	5955-21-460-0376	25, 67	5955-21-460-0458	457, 503



REFERENCE INFORMATION NATO STOCK NUMBER INDEX

NATO STOCK NO	TABLE	NATO STOCK NO	TABLE	NATO STOCK NO	TABLE
5955-21-460-0459	29, 81	5955-21-460-0656	95, 217, 227	5955-21-460-0739	101, 257
5955-21-460-0460	↑ ↑	5955-21-460-0668	95, 217, 227	5955-21-460-0740	101, 215
5955-21-460-0461	↑ ↑	5955-21-460-0670	507, 531	5955-21-460-0741	101, 257
5955-21-460-0462	↑ ↑	5955-21-460-0672	95, 217, 227	5955-21-460-0742	101, 215
5955-21-460-0463	↑ ↑	5955-21-460-0673	95, 217	5955-21-460-0743	101, 257
5955-21-460-0464	29, 81	5955-21-460-0674	95, 217, 227	5955-21-460-0744	101, 215
5955-21-460-0465	457, 503	5955-21-460-0676	95, 217, 227	5955-21-460-0745	101, 257
5955-21-460-0466	31, 41	5955-21-460-0677	95, 217, 227	5955-21-460-0746	101, 215
5955-21-460-0468	459, 465	5955-21-460-0678	95, 217, 227	5955-21-460-0747	101, 215
5955-21-460-0469	↑ ↑	5955-21-460-0679	95, 227	5955-21-460-0749	101, 257
5955-21-460-0471	↑ ↑	5955-21-460-0683	95, 217, 227	5955-21-460-0750	101, 215
5955-21-460-0472	↑ ↑	5955-21-460-0687	507, 525	5955-21-460-0751	101, 215
5955-21-460-0473	↑ ↑	5955-21-460-0688	95, 217, 227	5955-21-460-0752	101, 257
5955-21-460-0477	↑ ↑	5955-21-460-0689	95, 217, 227	5955-21-460-0753	101, 257
5955-21-460-0478	459, 465	5955-21-460-0690	507, 525	5955-21-460-0764	101, 215
5955-21-460-0479	31, 41	5955-21-460-0691	95, 217, 227	5955-21-460-0755	101, 257
5955-21-460-0482	33, 83	5955-21-460-0693	95, 227	5955-21-460-0757	101, 215
5955-21-460-0483	33, 83	5955-21-460-0694	95, 217	5955-21-460-0758	101, 215
5955-21-460-0486	35, 55	5955-21-460-0700	95, 217, 227	5955-21-460-0759	101, 215
5955-21-460-0487	↑ ↑	5955-21-460-0701	95, 227	5955-21-460-0760	101, 257
5955-21-460-0489	↑ ↑	5955-21-460-0703	95, 227	5955-21-460-0761	101, 257
5955-21-460-0491	↑ ↑	5955-21-460-0704	95, 127	5955-21-460-0762	101, 215
5955-21-460-0492	↑ ↑	5955-21-460-0705	↑ ↑	5955-21-460-0763	101, 257
5955-21-460-0493	↑ ↑	5955-21-460-0706	↑ ↑	5955-21-460-0764	101, 257
5955-21-460-0495	↑ ↑	5955-21-460-0707	↑ ↑	5955-21-460-0765	101, 215
5955-21-460-0497	↑ ↑	5955-21-460-0708	↑ ↑	5955-21-460-0766	101, 257
5955-21-460-0499	↑ ↑	5955-21-460-0709	↑ ↑	5955-21-460-0767	101, 257
5955-21-460-0500	↑ ↑	5955-21-460-0710	↑ ↑	5955-21-460-0768	101, 215
5955-21-460-0502	35, 55	5955-21-460-0711	↑ ↑	5955-21-460-0769	101, 257
5955-21-460-0503	461, 473	5955-21-460-0712	↑ ↑	5955-21-460-0770	101, 215
5955-21-460-0504	35, 55	5955-21-460-0713	↑ ↑	5955-21-460-0771	101, 257
5955-21-460-0505	35, 55	5955-21-460-0714	↑ ↑	5955-21-460-0772	509, 533
5955-21-460-0507	35, 55	5955-21-460-0715	↑ ↑	5955-21-460-0773	101, 215
5955-21-460-0508	35, 55	5955-21-460-0716	95, 127	5955-21-460-0774	101, 215
5955-21-460-0547	37, 59	5955-21-460-0717	95, 127, 137	5955-21-460-0775	101, 215
5955-21-460-0548	37, 59	5955-21-460-0718	95, 127	5955-21-460-0776	101, 257
5955-21-460-0549	37, 59	5955-21-460-0719	95, 127	5955-21-460-0777	101, 215, 257
5955-21-460-0556	87, 129	5955-21-460-0720	95, 127	5955-21-460-0778	101, 257
5955-21-460-0557	↑ ↑	5955-21-460-0721	95, 127	5955-21-460-0779	101, 215
5955-21-460-0559	↑ ↑	5955-21-460-0722	99, 239	5955-21-460-0780	101, 215
5955-21-460-0562	↑ ↑	5955-21-460-0723	↑ ↑	5955-21-460-0781	509, 527
5955-21-460-0563	↑ ↑	5955-21-460-0724	↑ ↑	5955-21-460-0782	101, 257
5955-21-460-0564	↑ ↑	5955-21-460-0725	↑ ↑	5955-21-460-0783	101, 257
5955-21-460-0565	87, 129	5955-21-460-0726	↑ ↑	5955-21-460-0784	101, 215
5955-21-460-0567	87, 129, 133	5955-21-460-0727	↑ ↑	5955-21-460-0785	101, 215
5955-21-460-0569	87, 129	5955-21-460-0728	↑ ↑	5955-21-460-0786	101, 257
5955-21-460-0570	↑ ↑	5955-21-460-0729	↑ ↑	5955-21-460-0787	101, 215
5955-21-460-0573	↑ ↑	5955-21-460-0730	↑ ↑	5955-21-460-0788	101, 215
5955-21-460-0574	↑ ↑	5955-21-460-0731	↑ ↑	5955-21-460-0789	101, 215
5955-21-460-0575	↑ ↑	5955-21-460-0732	↑ ↑	5955-21-460-0790	101, 215
5955-21-460-0576	↑ ↑	5955-21-460-0733	↑ ↑	5955-21-460-0791	101, 257
5955-21-460-0577	87, 129	5955-21-460-0734	99, 239	5955-21-460-0792	101, 257
5955-21-460-0634	507, 525	5955-21-460-0735	101, 257	5955-21-460-0793	101, 257
5955-21-460-0640	95, 187	5955-21-460-0736	101, 257	5955-21-460-0794	101, 257
5955-21-460-0655	95, 227	5955-21-460-0737	101, 221, 257	5955-21-460-0795	101, 215
		5955-21-460-0738	101, 257		



REFERENCE INFORMATION NATO STOCK NUMBER INDEX

NATO STOCK NO	TABLE	NATO STOCK NO	TABLE	NATO STOCK NO	TABLE
5955-21-460-0796	101, 215	5955-21-460-0905	27, 39	5955-21-460-0999	87, 129
5955-21-460-0797	101, 215	5955-21-460-0906	455, 463	5955-21-460-1000	87, 129, 133
5955-21-460-0798	101, 215	5955-21-460-0907	35, 55	5955-21-460-1001	87, 129
5955-21-460-0799	511, 539	5955-21-460-0908	19, 79	5955-21-460-1002	95, 127
5955-21-460-0800	105, 287, 297	5955-21-460-0909	19, 77	5955-21-460-1003	95, 127
5955-21-460-0802	105, 267	5955-21-460-0910	19, 77	5955-21-460-1004	95, 127
5955-21-460-0805	105, 267	5955-21-460-0912	105, 287	5955-21-460-1005	95, 127
5955-21-460-0806	105, 267	5955-21-460-0913	105, 293	5955-21-460-1010	101, 257
5955-21-460-0808	105, 267	5955-21-460-0914	429, 489	5955-21-460-1011	101, 257
5955-21-460-0809	511, 539, 541	5955-21-460-0915	431, 487	5955-21-460-1012	101, 215
5955-21-460-0812	105, 297	5955-21-460-0916	437, 469	5955-21-460-1013	101, 215
5955-21-460-0816	511, 535	5955-21-460-0917	9, 47	5955-21-460-1014	35, 55
5955-21-460-0817	105, 267	5955-21-460-0921	17, 65	5955-21-460-1015	17, 65
5955-21-460-0818	105, 267	5955-21-460-0922	17, 65	5955-21-460-1016	17, 65
5955-21-460-0819	105, 287, 293, 297	5955-21-460-0923	445, 485	5955-21-460-1017	3, 45
5955-21-460-0820	105, 293	5955-21-460-0924	17, 65	5955-21-460-1018	17, 65
5955-21-460-0822	105, 267	5955-21-460-0925	445, 485	5955-21-460-1019	17, 65
5955-21-460-0824	105, 287, 293, 297	5955-21-460-0926	17, 65	5955-21-460-1020	17, 65
5955-21-460-0826	105, 293	5955-21-460-0927	17, 65	5955-21-460-1021	101, 257
5955-21-460-0827	105, 267	5955-21-460-0928	445, 485	5955-21-460-1022	101, 215
5955-21-460-0829	105, 293	5955-21-460-0929	17, 65	5955-21-460-1027	101, 257
5955-21-460-0833	105, 267	5955-21-460-0930	↑	5955-21-460-1028	101, 257
5955-21-460-0834	105, 267	5955-21-460-0931	↑	5955-21-460-1029	101, 215
5955-21-460-0835	105, 267	5955-21-460-0932	↑	5955-21-460-1030	101, 215
5955-21-460-0837	511, 541	5955-21-460-0933	↑	5955-21-460-1047	87, 129
5955-21-460-0848	105, 293	5955-21-460-0934	17, 65	5955-21-460-1048	95, 127
5955-21-460-0850	105, 293, 297	5955-21-460-0935	445, 485	5955-21-460-1049	95, 127
5955-21-460-0851	105, 293	5955-21-460-0936	17, 65	5955-21-460-1050	87, 129
5955-21-460-0852	105, 267	5955-21-460-0937	17, 65	5955-21-460-1051	25, 67
5955-21-460-0854	105, 267	5955-21-460-0945	3, 45	5955-21-460-1052	27, 39
5955-21-460-0855	105, 293, 297	5955-21-460-0946	3, 45	5955-21-460-1055	95, 275
5955-21-460-0856	105, 293	5955-21-460-0949	427, 467	5955-21-460-1056	95, 275
5955-21-460-0857	105, 293, 297	5955-21-460-0950	3, 45	5955-21-460-1058	437, 469
5955-21-460-0858	105, 267	5955-21-460-0951	3, 45	5955-21-460-1059	437, 469
5955-21-460-0860	105, 267	5955-21-460-0952	309	5955-21-460-1092	95, 243
5955-21-460-0861	105, 267	5955-21-460-0953	125, 175	5955-21-460-1093	95, 243
5955-21-460-0863	105, 293	5955-21-460-0954	125, 175	5955-21-460-1094	93, 241
5955-21-460-0864	105, 293	5955-21-460-0955	125, 175	5955-21-460-1095	445, 485
5955-21-460-0865	105, 293	5955-21-460-0956	125, 175	5955-21-460-1096	31, 41
5955-21-460-0893	89, 141	5955-21-460-0957	15, 71	5955-21-460-1097	459, 465
5955-21-460-0894	395	5955-21-460-0959	443, 497	5955-21-460-1098	95, 183, 217
5955-21-460-0895	375	5955-21-460-0960	17, 65	5955-21-460-1099	507, 523
5955-21-460-0896	375	5955-21-460-0961	3, 45	5955-21-460-1100	507, 523
5955-21-460-0897	379	5955-21-460-0962	455, 463	5955-21-460-1101	507, 523, 531
5955-21-460-0898	389	5955-21-460-0963	27, 39	5955-21-460-1106	15, 71
5955-21-460-0899	351	5955-21-460-0964	455, 463	5955-21-460-1107	101, 221
5955-21-460-0901	25, 67	5955-21-460-0965	455, 463	5955-21-460-1108	↑
5955-21-460-0902	25, 67	5955-21-460-0966	27, 39	5955-21-460-1109	↑
5955-21-460-0903	453, 495	5955-21-460-0967	455, 463	5955-21-460-1110	↑
5955-21-460-0904	27, 39	5955-21-460-0968	453, 495	5955-21-460-1111	↑
		5955-21-460-0969	25, 67	5955-21-460-1112	↑
		5955-21-460-0970	453, 495	5955-21-460-1113	↑
		5955-21-460-0971	453, 495	5955-21-460-1114	↑
		5955-21-460-0972	25, 67	5955-21-460-1115	↑
		5955-21-460-0973	453, 495	5955-21-460-1116	101, 221
		5955-21-460-0998	87, 129		



REFERENCE INFORMATION NATO STOCK NUMBER INDEX

NATO STOCK NO		NATO STOCK NO	TABLE	NATO STOCK NO	TABLE
5955-21-460-1117	509, 529	5955-21-460-1183	35, 55	5955-21-460-1245	445, 485
5955-21-460-1118	101, 221	5955-21-460-1184	105, 297	5955-21-460-1246	445, 485
5955-21-460-1119	101, 221	5955-21-460-1185	511, 539	5955-21-460-1247	445, 485
5955-21-460-1120	101, 221	5955-21-460-1186	35, 55	5955-21-460-1248	27, 39
5955-21-460-1121	509, 529	5955-21-460-1187	449, 483	5955-21-460-1249	445, 463
5955-21-460-1122	101, 221	5955-21-460-1188	95, 127	5955-21-460-1250	27, 39
5955-21-460-1123	509, 529	5955-21-460-1189	87, 129	5955-21-460-1251	455, 463
5955-21-460-1124	509, 529	5955-21-460-1190	17, 65	5955-21-460-1252	509, 529
5955-21-460-1125	509, 529	5955-21-460-1191	17, 65	5955-21-460-1253	509, 529
5955-21-460-1126	19, 77	5955-21-460-1192	461, 477	5955-21-460-1254	101, 221
5955-21-460-1127	105, 287	5955-21-460-1193	461, 477	5955-21-460-1255	509, 529
5955-21-460-1128	105, 287	5955-21-460-1198	307	5955-21-460-1256	101, 221
5955-21-460-1129	399	5955-21-460-1199	101, 257	5955-21-460-1257	509, 529
5955-21-460-1130	323	5955-21-460-1200	101, 257	5955-21-460-1258	101, 221
5955-21-460-1131	5, 51	5955-21-460-1201	101, 257	5955-21-460-1259	441, 479
5955-21-460-1132	437, 469	5955-21-460-1202	101, 257	5955-21-460-1260	17, 65
5955-21-460-1133	105, 287	5955-21-460-1204	87, 129	5955-21-460-1261	337
5955-21-460-1134	105, 287, 297	5955-21-460-1205	87, 129	5955-21-460-1262	337
5955-21-460-1135	105, 287	5955-21-460-1206	25, 67	5955-21-460-1264	95, 181
5955-21-460-1136	105, 287	5955-21-460-1207	25, 67	5955-21-460-1266	95, 181
5955-21-460-1138	511, 539	5955-21-460-1208	27, 39	5955-21-460-1267	95, 183
5955-21-460-1140	511, 539	5955-21-460-1209	27, 39	5955-21-460-1268	507, 523
5955-21-460-1147	9, 47	5955-21-460-1210	3, 45	5955-21-460-1269	95, 183
5955-21-460-1148	19, 77	5955-21-460-1211	25, 67	5955-21-460-1270	95, 183
5955-21-460-1149	19, 77	5955-21-460-1212	453, 495	5955-21-460-1271	95, 181
5955-21-460-1150	313	5955-21-460-1213	27, 39	5955-21-460-1272	507, 521
5955-21-460-1151	451, 471	5955-21-460-1214	455, 463	5955-21-460-1273	95, 181
5955-21-460-1152	29, 81	5955-21-460-1215	437, 469	5955-21-460-1274	95, 181
5955-21-460-1153	87, 129	5955-21-460-1216	437, 469	5955-21-460-1275	105, 267
5955-21-460-1154	95, 127	5955-21-460-1217	437, 469	5955-21-460-1276	↑
5955-21-460-1155	3, 45	5955-21-460-1218	437, 469	5955-21-460-1277	↑
5955-21-460-1156	3, 45	5955-21-460-1219	9, 47	5955-21-460-1278	↑
5955-21-460-1157	17, 65	5955-21-460-1220	437, 469	5955-21-460-1279	↑
5955-21-460-1158	17, 65	5955-21-460-1221	↑	5955-21-460-1280	↑
5955-21-460-1159	9, 47	5955-21-460-1222	↑	5955-21-460-1281	↑
5955-21-460-1160	9, 47	5955-21-460-1223	437, 469	5955-21-460-1282	105, 267
5955-21-460-1161	437, 469	5955-21-460-1224	437, 469	5955-21-460-1283	105, 255, 267
5955-21-460-1162	9, 47	5955-21-460-1225	↑	5955-21-460-1284	105, 267
5955-21-460-1165	↑	5955-21-460-1226	↑	5955-21-460-1285	511, 535
5955-21-460-1166	↑	5955-21-460-1227	↑	5955-21-460-1286	105, 267
5955-21-460-1167	↑	5955-21-460-1228	437, 469	5955-21-460-1287	105, 267
5955-21-460-1168	9, 47	5955-21-460-1229	9, 47	5955-21-460-1288	105, 267
5955-21-460-1169	437, 469	5955-21-460-1230	9, 47	5955-21-460-1289	105, 267
5955-21-460-1170	17, 65	5955-21-460-1231	437, 469	5955-21-460-1290	511, 535
5955-21-460-1171	449, 483	5955-21-460-1232	437, 469	5955-21-460-1291	105, 267
5955-21-460-1172	21, 61	5955-21-460-1233	9, 47	5955-21-460-1292	↑
5955-21-460-1173	449, 483	5955-21-460-1234	9, 47	5955-21-460-1293	↑
5955-21-460-1174	449, 483	5955-21-460-1235	9, 47	5955-21-460-1294	↑
5955-21-460-1175	449, 483	5955-21-460-1236	437, 469	5955-21-460-1295	↑
5955-21-460-1177	449, 483	5955-21-460-1237	427, 467	5955-21-460-1296	↑
5955-21-460-1178	35, 55	5955-21-460-1238	3, 45	5955-21-460-1297	105, 267
5955-21-460-1179	↑	5955-21-460-1239	427, 467	5955-21-460-1298	511, 535
5955-21-460-1180	↑	5955-21-460-1240	437, 469	5955-21-460-1299	105, 267
5955-21-460-1181	↑	5955-21-460-1241	437, 469	5955-21-460-1300	105, 267
5955-21-460-1182	35, 55	5955-21-460-1242	17, 65	5955-21-460-1301	105, 267
		5955-21-460-1244	445, 485	5955-21-460-1302	105, 297



REFERENCE INFORMATION NATO STOCK NUMBER INDEX

NATO STOCK NO	TABLE	NATO STOCK NO.	TABLE	NATO STOCK NO	TABLE
5955-21-460-1303	105, 297	5955-21-460-1359	509, 529	5955-21-460-1425	11, 73
5955-21-460-1304	105, 297	5955-21-460-1360	101, 221	5955-21-460-1426	↑ ↑
5955-21-460-1305	105, 287, 297	5955-21-460-1361	101, 221	5955-21-460-1427	↑ ↑
5955-21-460-1306	511, 543	5955-21-460-1362	3, 45	5955-21-460-1428	↑ ↑
5955-21-460-1307	105, 293, 297	5955-21-460-1363	↑ ↑	5955-21-460-1429	↑ ↑
5955-21-460-1308	105, 297	5955-21-460-1364	↑ ↑	5955-21-460-1430	↑ ↑
5955-21-460-1310	105, 297	5955-21-460-1365	↑ ↑	5955-21-460-1431	↑ ↑
5955-21-460-1311	427, 467	5955-21-460-1366	3, 45	5955-21-460-1432	↑ ↑
5955-21-460-1312	↑ ↑	5955-21-460-1367	429, 489	5955-21-460-1433	↑ ↑
5955-21-460-1313	↑ ↑	5955-21-460-1368	429, 489	5955-21-460-1434	↑ ↑
5955-21-460-1314	↑ ↑	5955-21-460-1369	429, 489	5955-21-460-1435	↑ ↑
5955-21-460-1315	427, 467	5955-21-460-1370	429, 489	5955-21-460-1436	↑ ↑
5955-21-460-1316	3, 45	5955-21-460-1371	431, 487	5955-21-460-1437	↑ ↑
5955-21-460-1318	445, 485	5955-21-460-1372	431, 487	5955-21-460-1438	11, 73
5955-21-460-1319	445, 485	5955-21-460-1373	431, 487	5955-21-460-1439	439, 505
5955-21-460-1320	445, 485	5955-21-460-1374	431, 487	5955-21-460-1440	11, 73
5955-21-460-1321	511, 541	5955-21-460-1385	5, 51	5955-21-460-1441	439, 505
5955-21-460-1322	25, 67	5955-21-460-1386	↑ ↑	5955-21-460-1442	443, 497
5955-21-460-1323	99, 239	5955-21-460-1387	↑ ↑	5955-21-460-1443	15, 71
5955-21-460-1324	99, 239	5955-21-460-1388	↑ ↑	5955-21-460-1444	17, 65
5955-21-460-1325	99, 239	5955-21-460-1389	↑ ↑	5955-21-460-1445	17, 65
5955-21-460-1326	99, 239	5955-21-460-1390	↑ ↑	5955-21-460-1446	17, 65
5955-21-460-1327	5, 51	5955-21-460-1391	↑ ↑	5955-21-460-1447	445, 485
5955-21-460-1328	5, 51	5955-21-460-1392	↑ ↑	5955-21-460-1448	17, 65
5955-21-460-1329	5, 51	5955-21-460-1393	↑ ↑	5955-21-460-1449	17, 65
5955-21-460-1330	441, 479	5955-21-460-1394	5, 51	5955-21-460-1450	17, 65
5955-21-460-1331	441, 479	5955-21-460-1395	5, 51	5955-21-460-1451	445, 485
5955-21-460-1332	441, 479	5955-21-460-1396	433, 473	5955-21-460-1452	17, 65
5955-21-460-1333	95, 127	5955-21-460-1397	↑ ↑	5955-21-460-1453	17, 65
5955-21-460-1334	↑ ↑	5955-21-460-1398	↑ ↑	5955-21-460-1454	17, 65
5955-21-460-1335	↑ ↑	5955-21-460-1399	↑ ↑	5955-21-460-1455	17, 65
5955-21-460-1336	↑ ↑	5955-21-460-1400	433, 473	5955-21-460-1456	445, 485
5955-21-460-1337	95, 127	5955-21-460-1401	437, 469	5955-21-460-1457	17, 65
5955-21-460-1338	435, 475	5955-21-460-1402	105, 287	5955-21-460-1458	↑ ↑
5955-21-460-1339	87, 129	5955-21-460-1403	105, 287	5955-21-460-1459	↑ ↑
5955-21-460-1340	87, 129	5955-21-460-1404	11, 73	5955-21-460-1460	↑ ↑
5955-21-460-1341	87, 129	5955-21-460-1405	↑ ↑	5955-21-460-1461	↑ ↑
5955-21-460-1342	509, 529	5955-21-460-1406	↑ ↑	5955-21-460-1462	17, 65
5955-21-460-1343	509, 529	5955-21-460-1407	↑ ↑	5955-21-460-1463	19, 77, 79
5955-21-460-1344	101, 221	5955-21-460-1408	↑ ↑	5955-21-460-1464	447, 499, 501
5955-21-460-1345	101, 221	5955-21-460-1409	↑ ↑	5955-21-460-1465	19, 77, 79
5955-21-460-1346	101, 221	5955-21-460-1410	↑ ↑	5955-21-460-1466	19, 77, 79
5955-21-460-1347	101, 221	5955-21-460-1411	↑ ↑	5955-21-460-1468	19, 77, 79
5955-21-460-1348	509, 529	5955-21-460-1412	↑ ↑	5955-21-460-1469	511, 539
5955-21-460-1349	↑ ↑	5955-21-460-1413	↑ ↑	5955-21-460-1470	19, 77, 79
5955-21-460-1350	↑ ↑	5955-21-460-1414	↑ ↑	5955-21-460-1471	19, 77
5955-21-460-1351	↑ ↑	5955-21-460-1415	11, 73	5955-21-460-1472	↑ ↑
5955-21-460-1352	↑ ↑	5955-21-460-1416	439, 505	5955-21-460-1473	↑ ↑
5955-21-460-1353	↑ ↑	5955-21-460-1417	11, 73	5955-21-460-1474	↑ ↑
5955-21-460-1354	509, 529	5955-21-460-1418	↑ ↑	5955-21-460-1475	↑ ↑
5955-21-460-1355	101, 221	5955-21-460-1419	↑ ↑	5955-21-460-1476	↑ ↑
5955-21-460-1356	509, 529	5955-21-460-1420	↑ ↑	5955-21-460-1477	↑ ↑
5955-21-460-1357	509, 529	5955-21-460-1421	↑ ↑	5955-21-460-1479	19, 77
5955-21-460-1358	509, 529	5955-21-460-1422	↑ ↑	5955-21-460-1480	449, 481
		5955-21-460-1423	↑ ↑	5955-21-460-1481	21, 63
		5955-21-460-1424	11, 73		



REFERENCE INFORMATION NATO STOCK NUMBER INDEX

NATO STOCK NO	TABLE	NATO STOCK NO	TABLE	NATO STOCK NO	TABLE
5955-21-460-1482	21, 63	5955-21-460-1538	29, 81	5955-21-460-1609	95, 187
5955-21-460-1483	449, 481	5955-21-460-1539	457, 503	5955-21-460-1610	95, 217, 227
5955-21-460-1484	449, 481	5955-21-460-1540	457, 503	5955-21-460-1611	↑ ↑ ↑
5955-21-460-1485	451, 471	5955-21-460-1541	457, 503	5955-21-460-1612	↑ ↑ ↑
5955-21-460-1486	23, 49	5955-21-460-1542	29, 81	5955-21-460-1613	↑ ↑ ↑
	↑ ↑		↑ ↑		↑ ↑ ↑
5955-21-460-1487		5955-21-460-1543		5955-21-460-1614	95, 217, 227
5955-21-460-1488		5955-21-460-1544		5955-21-460-1615	95, 227
5955-21-460-1489		5955-21-460-1545		5955-21-460-1616	95, 227
5955-21-460-1490		5955-21-460-1546		5955-21-460-1617	95, 217, 227
5955-21-460-1491		5955-21-460-1547		5955-21-460-1618	507, 525
					↑ ↑ ↑
5955-21-460-1492		5955-21-460-1548		5955-21-460-1619	507, 525
5955-21-460-1493		5955-21-460-1549		5955-21-460-1620	95, 187
5955-21-460-1494	23, 49	5955-21-460-1550		5955-21-460-1621	95, 217, 227
5955-21-460-1495	25, 67	5955-21-460-1551	29, 81	5955-21-460-1622	95, 217, 227
5955-21-460-1496	453, 495	5955-21-460-1552	457, 503	5955-21-460-1623	95, 217, 227
					↑ ↑ ↑
5955-21-460-1497	25, 67	5955-21-460-1553	457, 503	5955-21-460-1624	95, 227
5955-21-460-1498	453, 495	5955-21-460-1554	29, 81	5955-21-460-1625	95, 187
5955-21-460-1499		5955-21-460-1555	457, 503	5955-21-460-1626	95, 217, 227
5955-21-460-1500		5955-21-460-1556	29, 81	5955-21-460-1627	95, 217, 227
5955-21-460-1501		5955-21-460-1557	457, 503	5955-21-460-1628	95, 227
					↑ ↑ ↑
5955-21-460-1502		5955-21-460-1558	457, 503	5955-21-460-1629	95, 217, 227
5955-21-460-1503	453, 495	5955-21-460-1559	29, 81	5955-21-460-1630	95, 217, 227
5955-21-460-1504	27, 67	5955-21-460-1560	31, 41	5955-21-460-1631	95, 227
5955-21-460-1505	453, 495	5955-21-460-1561	459, 465	5955-21-460-1632	507, 531
5955-21-460-1506	453, 495	5955-21-460-1562	31, 41	5955-21-460-1633	95, 217, 227
					↑ ↑ ↑
5955-21-460-1507	453, 495	5955-21-460-1563	31, 41	5955-21-460-1634	95, 217, 227
5955-21-460-1508	453, 495	5955-21-460-1564	459, 465	5955-21-460-1635	95, 217, 227
5955-21-460-1509	25, 67	5955-21-460-1565	459, 465	5955-21-460-1636	95, 227
5955-21-460-1510	453, 495	5955-21-460-1566	31, 41	5955-21-460-1637	507, 531
5955-21-460-1511	25, 67	5955-21-460-1567	459, 465	5955-21-460-1638	95, 217, 227
					↑ ↑ ↑
5955-21-460-1512	25, 67	5955-21-460-1568	459, 465	5955-21-460-1639	95, 217, 227
5955-21-460-1513	25, 67	5955-21-460-1569	459, 465	5955-21-460-1640	95, 217, 227
5955-21-460-1514	27, 39	5955-21-460-1570	31, 41	5955-21-460-1641	95, 217, 227
5955-21-460-1515	27, 39	5955-21-460-1571	459, 465	5955-21-460-1642	95, 127
5955-21-460-1516	455, 463	5955-21-460-1572	31, 41	5955-21-460-1643	↑ ↑ ↑
					↑ ↑ ↑
5955-21-460-1517		5955-21-460-1573		5955-21-460-1644	
5955-21-460-1518		5955-21-460-1574		5955-21-460-1645	
5955-21-460-1519		5955-21-460-1575		5955-21-460-1646	
5955-21-460-1520		5955-21-460-1576		5955-21-460-1647	
5955-21-460-1521		5955-21-460-1577	31, 41	5955-21-460-1648	
					↑ ↑ ↑
5955-21-460-1522		5955-21-460-1578	459, 465	5955-21-460-1649	
5955-21-460-1523		5955-21-460-1579	31, 41	5955-21-460-1650	
5955-21-460-1524		5955-21-460-1580	31, 41	5955-21-460-1651	
5955-21-460-1525		5955-21-460-1581	459, 465	5955-21-460-1652	
5955-21-460-1526	455, 463	5955-21-460-1582	31, 41	5955-21-460-1653	95, 127
					↑ ↑ ↑
5955-21-460-1527	27, 39	5955-21-460-1583	33, 83	5955-21-460-1654	87, 129
5955-21-460-1528	27, 39	5955-21-460-1584	35, 55	5955-21-460-1655	↑ ↑ ↑
5955-21-460-1529	27, 39	5955-21-460-1585	35, 55	5955-21-460-1656	↑ ↑ ↑
5955-21-460-1530	27, 39	5955-21-460-1601	95, 187	5955-21-460-1657	
5955-21-460-1531	29, 81	5955-21-460-1602	507, 525	5955-21-460-1658	
					↑ ↑ ↑
5955-21-460-1532	457, 503	5955-21-460-1603	95, 187	5955-21-460-1659	
5955-21-460-1533	457, 503	5955-21-460-1604	507, 525	5955-21-460-1660	
5955-21-460-1534	29, 81	5955-21-460-1605	95, 187	5955-21-460-1661	87, 129
5955-21-460-1535	457, 503	5955-21-460-1606	507, 525	5955-21-460-1668	101, 257
5955-21-460-1536	29, 81	5955-21-460-1607	507, 525	5955-21-460-1669	101, 215, 257
5955-21-460-1537	29, 81	5955-21-460-1608	95, 187	5955-21-460-1670	101, 215, 257



RCN Catalogue of Materiel

5955

REFERENCE INFORMATION NATO STOCK NUMBER INDEX

NATO STOCK NO	TABLE	NATO STOCK NO	TABLE	NATO STOCK NO	TABLE
5955-21-460-1671	101, 215	5955-21-460-1717	125, 299	5955-21-460-1788	19, 79
5955-21-460-1672	101, 215	5955-21-460-1719	125, 299	5955-21-460-1789	
5955-21-460-1673	101, 215	5955-21-460-1720	125, 299	5955-21-460-1791	
5955-21-460-1674	105, 287	5955-21-460-1721	515, 545	5955-21-460-1792	
5955-21-460-1675	511, 539	5955-21-460-1722	105, 267	5955-21-460-1793	
5955-21-460-1676	105, 287	5955-21-460-1724	105, 267	5955-21-460-1794	
5955-21-460-1677	105, 287	5955-21-460-1725	443, 497	5955-21-460-1795	
5955-21-460-1678	105, 287	5955-21-460-1726	15, 71	5955-21-460-1796	
5955-21-460-1679	105, 287, 297	5955-21-460-1727	15, 71	5955-21-460-1797	
5955-21-460-1680	105, 287	5955-21-460-1728	15, 71	5955-21-460-1798	
5955-21-460-1681	105, 287	5955-21-460-1729	99, 213	5955-21-460-1799	19, 79
5955-21-460-1682	105, 287, 297	5955-21-460-1730	101, 215	5955-21-460-1800	447, 501
5955-21-460-1683	105, 287, 297	5955-21-460-1731	101, 215	5955-21-460-1801	19, 79
5955-21-460-1684	105, 287, 297	5955-21-460-1732	97, 187	5955-21-460-1802	25, 67
5955-21-460-1685	105, 255, 287, 293, 297	5955-21-460-1733	95, 187	5955-21-460-1803	27, 39
5955-21-460-1686	511, 639	5955-21-460-1734	95, 187	5955-21-460-1804	35, 55
5955-21-460-1687	105, 287, 297	5955-21-460-1735	95, 187	5955-21-460-1805	17, 65
5955-21-460-1688	511, 539	5955-21-460-1736	511, 537	5955-21-460-1806	95, 217, 227
5955-21-460-1689	105, 287, 293	5955-21-460-1737	511, 537	5955-21-460-1807	105, 287
5955-21-460-1690	105, 287, 297	5955-21-460-1738	511, 537	5955-21-460-1808	437, 469
5955-21-460-1691	105, 287, 297	5955-21-460-1739	511, 537	5955-21-460-1809	437, 469
5955-21-460-1692	105, 287, 297	5955-21-460-1742	101, 221	5955-21-460-1810	437, 469
5955-21-460-1693	105, 287, 297	5955-21-460-1743	509, 529	5955-21-460-1811	101, 205
5955-21-460-1694	17, 65	5955-21-460-1745	511, 543	5955-21-460-1812	101, 205
5955-21-460-1695	25, 67	5955-21-460-1746	105, 297	5955-21-460-1813	101, 205
5955-21-460-1696	19, 77, 79	5955-21-460-1747	105, 293, 297	5955-21-460-1814	99, 167
5955-21-460-1697	17, 65	5955-21-460-1748	87, 129	5955-21-460-1815	17, 65
5955-21-460-1698	423, 493	5955-21-460-1749	87, 129	5955-21-460-1816	
5955-21-460-1699	425, 491	5955-21-460-1762	95, 127	5955-21-460-1817	
5955-21-460-1700	101, 257	5955-21-460-1763	101, 257	5955-21-460-1818	
5955-21-460-1701	101, 257	5955-21-460-1764	511, 541	5955-21-460-1819	17, 65
5955-21-460-1702	101, 257	5955-21-460-1765	511, 541	5955-21-460-1820	445, 485
5955-21-460-1703	101, 215	5955-21-460-1766	105, 293, 297	5955-21-460-1822	507, 525
5955-21-460-1704	101, 215	5955-21-460-1767	105, 297	5955-21-460-1823	3, 45
5955-21-460-1705	101, 215	5955-21-460-1768	511, 541	5955-21-460-1824	3, 45
5955-21-460-1706	101, 215	5955-21-460-1769	511, 541	5955-21-460-1825	9, 47
5955-21-460-1707	99, 239	5955-21-460-1770	105, 293	5955-21-460-1826	101, 257
5955-21-460-1708	17, 65	5955-21-460-1771	511, 541	5955-21-460-1827	101, 257
5955-21-460-1709	31, 41	5955-21-460-1772	511, 541	5955-21-460-1828	101, 257
5955-21-460-1710	15, 71	5955-21-460-1773	105, 293	5955-21-460-1829	101, 257
5955-21-460-1711	23, 49	5955-21-460-1774	327	5955-21-460-1830	101, 215
5955-21-460-1712	21, 63	5955-21-460-1775	325	5955-21-460-1831	101, 215
5955-21-460-1713	401	5955-21-460-1776	363	5955-21-460-1832	101, 215
5955-21-460-1714	401	5955-21-460-1777	363	5955-21-460-1833	101, 215
5955-21-460-1715	407	5955-21-460-1778	19, 77	5955-21-460-1834	99, 229
5955-21-460-1716	91, 273	5955-21-460-1779	19, 77	5955-21-460-1835	
		5955-21-460-1780	19, 77	5955-21-460-1836	
		5955-21-460-1781	19, 77	5955-21-460-1837	
		5955-21-460-1782	447, 499	5955-21-460-1838	
		5955-21-460-1783	447, 499	5955-21-460-1839	99, 229
		5955-21-460-1784	447, 501	5955-21-460-1840	125, 289
		5955-21-460-1785	19, 79	5955-21-460-1841	27, 39
		5955-21-460-1786	19, 79	5955-21-460-1842	27, 39
		5955-21-460-1787	19, 79	5955-21-460-1843	25, 67
				5955-21-460-1844	25, 67
				5955-21-460-1853	437, 467



RCN Catalogue of Materiel

REFERENCE INFORMATION NATO STOCK NUMBER INDEX

NATO STOCK NO	TABLE	NATO STOCK NO	TABLE	NATO STOCK NO	TABLE
5955-21-460-1854	427, 467	5955-21-460-1911	109, 169	★5955-21-460-1969	109, 169
5955-21-460-1855	445, 485	5955-21-460-1912	↑ ↑	★5955-21-460-1970	↑ ↑
5955-21-460-1856	445, 485	5955-21-460-1913	↑ ↑	★5955-21-460-1971	↑ ↑
5955-21-460-1857	433, 473	5955-21-460-1914	↑ ↑	★5955-21-460-1972	↑ ↑
5955-21-460-1858	441, 479	5955-21-460-1915	↑ ↑	★5955-21-460-1973	109, 169
5955-21-460-1860	445, 485	5955-21-460-1916	↑ ↑	★5955-21-460-1974	105, 201
5955-21-460-1861	95, 227	5955-21-460-1917	↑ ↑	★5955-21-460-1975	↑ ↑
5955-21-460-1862	427, 467	5955-21-460-1918	↑ ↑	★5955-21-460-1976	↑ ↑
5955-21-460-1863	445, 485	5955-21-460-1919	109, 169	★5955-21-460-1977	↑ ↑
5955-21-460-1864	17, 65	5955-21-460-1920	19, 77	★5955-21-460-1978	↑ ↑
5955-21-460-1865	445, 485	5955-21-460-1921	19, 77	★5955-21-460-1979	↑ ↑
5955-21-460-1866	429, 489	5955-21-460-1922	437, 469	★5955-21-460-1980	↑ ↑
5955-21-460-1867	↑ ↑	5955-21-460-1923	35, 55	★5955-21-460-1981	↑ ↑
5955-21-460-1868	↑ ↑	5955-21-460-1924	101, 257	★5955-21-460-1982	↑ ↑
5955-21-460-1869	↑ ↑	5955-21-460-1925	↑ ↑	★5955-21-460-1983	↑ ↑
5955-21-460-1870	429, 489	5955-21-460-1926	↑ ↑	★5955-21-460-1984	↑ ↑
5955-21-460-1871	431, 487	5955-21-460-1927	↑ ↑	★5955-21-460-1985	↑ ↑
5955-21-460-1872	↑ ↑	5955-21-460-1928	↑ ↑	★5955-21-460-1986	↑ ↑
5955-21-460-1873	↑ ↑	5955-21-460-1929	↑ ↑	★5955-21-460-1987	↑ ↑
5955-21-460-1874	↑ ↑	5955-21-460-1930	101, 257	★5955-21-460-1988	105, 201
5955-21-460-1875	431, 487	5955-21-460-1931	101, 215	★5955-21-460-1989	107, 203
5955-21-460-1876	87, 129	5955-21-460-1932	↑ ↑	★5955-21-460-1990	95, 199
5955-21-460-1877	95, 127	5955-21-460-1933	↑ ↑	★5955-21-460-1991	95, 183
5955-21-460-1878	95, 127	5955-21-460-1934	↑ ↑	★5955-21-460-1992	95, 181
5955-21-460-1879	419	5955-21-460-1935	↑ ↑	★5955-21-460-1993	9, 47
5955-21-460-1880	427, 467	5955-21-460-1936	↑ ↑	★5955-21-460-1996	3, 45
5955-21-460-1881	413	5955-21-460-1937	101, 215	★5955-21-460-1997	17, 65
5955-21-460-1883	33, 83	5955-21-460-1938	87, 129	★5955-21-460-1998	17, 65
5955-21-460-1884	33, 83	5955-21-460-1939	27, 39	★5955-21-460-1999	115, 261
5955-21-460-1885	33, 83	5955-21-460-1940	25, 67	★5955-21-460-2000	115, 261
5955-21-460-1886	95, 207, 209	5955-21-460-1941	105, 171	★5955-21-460-2001	113, 259
5955-21-460-1887	429, 489	5955-21-460-1942	↑ ↑	★5955-21-460-2002	113, 259
5955-21-460-1888	431, 487	5955-21-460-1943	↑ ↑	★5955-21-460-2003	419
5955-21-460-1889	3, 45	5955-21-460-1944	↑ ↑	★5955-21-460-2004	95, 187
5955-21-460-1890	3, 45	5955-21-460-1945	105, 171	★5955-21-460-2005	429, 489
5955-21-460-1891	355	5955-21-460-1946	109, 169	★5955-21-460-2006	431, 487
5955-21-460-1892	333	5955-21-460-1947	↑ ↑	★5955-21-460-2009	3, 45
5955-21-460-1893	21, 63	5955-21-460-1948	↑ ↑	★5955-21-460-2010	3, 45
5955-21-460-1894	87, 129	5955-21-460-1949	↑ ↑	★5955-21-460-2011	3, 45
5955-21-460-1895	95, 127	5955-21-460-1950	109, 169	★5955-21-460-2012	9, 47
5955-21-460-1896	105, 171	5955-21-460-1951	427, 467	★5955-21-460-2013	9, 47
5955-21-460-1897	↑ ↑	5955-21-460-1952	101, 221	★5955-21-460-2014	9, 47
5955-21-460-1898	↑ ↑	5955-21-460-1953	101, 257	★5955-21-460-2015	13, 57
5955-21-460-1899	↑ ↑	5955-21-460-1954	101, 215	★5955-21-460-2016	13, 57
5955-21-460-1900	↑ ↑	5955-21-460-1955	17, 65	★5955-21-460-2017	13, 57
5955-21-460-1901	↑ ↑	5955-21-460-1958	105, 285, 291	★5955-21-460-2018	17, 65
5955-21-460-1902	↑ ↑	5955-21-460-1959	105, 291	★5955-21-460-2019	3, 45
5955-21-460-1903	↑ ↑	5955-21-460-1960	105, 291	★5955-21-460-2020	3, 45
5955-21-460-1904	↑ ↑	5955-21-460-1961	105, 291	★5955-21-460-2021	9, 47
5955-21-460-1905	↑ ↑	★5955-21-460-1962	437, 469	★5955-21-460-2022	9, 47
5955-21-460-1906	↑ ↑	★5955-21-460-1963	437, 469	★5955-21-460-2023	9, 47
5955-21-460-1907	105, 171	★5955-21-460-1964	105, 171	★5955-21-460-2024	9, 47
5955-21-460-1908	109, 169	★5955-21-460-1965	105, 171	★5955-21-460-2025	3, 45
5955-21-460-1909	109, 169	★5955-21-460-1966	105, 171	★5955-21-460-2026	3, 45
5955-21-460-1910	109, 169	★5955-21-460-1968	105, 171	★5955-21-460-2027	125, 289
				★5955-21-460-2028	19, 74



REFERENCE INFORMATION NATO STOCK NUMBER INDEX

NATO STOCK NO	TABLE	NATO STOCK NO	TABLE	NATO STOCK NO	TABLE
★5955-21-460-2029	19,74	★5955-21-460-2086	21,63	★5955-21-460-2138	95,155
★5955-21-460-2030	15,71	★5955-21-460-2087	↑ ↑	★5955-21-460-2139	95,155
★5955-21-460-2031	15,71	★5955-21-460-2088	↑ ↑	★5955-21-460-2140	95,155
★5955-21-460-2032	15,71	★5955-21-460-2089	↑ ↑	★5955-21-460-2141	95,155
★5955-21-460-2033	105,301	★5955-21-460-2090	21,63	★5955-21-460-2142	95,149
★5955-21-460-2034	105,301	★5955-21-460-2091	105,171	★5955-21-460-2143	95,149
★5955-21-460-2035	105,301	★5955-21-460-2092	105,171	★5955-21-460-2144	95,149
★5955-21-460-2037	515,547	★5955-21-460-2093	105,171	★5955-21-460-2145	95,137,149
★5955-21-460-2038	515,547	★5955-21-460-2094	387	★5955-21-460-2146	95,137,149
★5955-21-460-2039	381	★5955-21-460-2095	105,171	★5955-21-460-2147	95,137,149
5955-21-460-2040	87,223	★5955-21-460-2096	87,129	★5955-21-460-2148	95,149
★5955-21-460-2041	3,45	★5955-21-460-2097	411	★5955-21-460-2149	95,149
★5955-21-460-2042	3,45	★5955-21-460-2098	125,289	★5955-21-460-2150	99,157
★5955-21-460-2043	3,45	★5955-21-460-2099	125,281	★5955-21-460-2151	↑ ↑
★5955-21-460-2044	125,289	★5955-21-460-2100	125,281	★5955-21-460-2152	↑ ↑
★5955-21-460-2045	3,45	★5955-21-460-2101	125,281	★5955-21-460-2153	↑ ↑
★5955-21-460-2046	3,45	★5955-21-460-2102	15,71	★5955-21-460-2154	↑ ↑
★5955-21-460-2047	3,45	★5955-21-460-2103	445,485	★5955-21-460-2155	↑ ↑
★5955-21-460-2048	25,67	★5955-21-460-2104	445,485	★5955-21-460-2156	↑ ↑
★5955-21-460-2049	27,39	★5955-21-460-2105	445,485	★5955-21-460-2157	↑ ↑
★5955-21-460-2050	31,41	★5955-21-460-2106	445,485	★5955-21-460-2158	↑ ↑
★5955-21-460-2051	31,41	★5955-21-460-2107	507,525	★5955-21-460-2159	99,157
★5955-21-460-2052	31,41	★5955-21-460-2108	507,525	★5955-21-460-2160	99,151
★5955-21-460-2053	17,65	★5955-21-460-2109	507,525	★5955-21-460-2161	↑ ↑
★5955-21-460-2054	385	★5955-21-460-2110	427,467	★5955-21-460-2162	↑ ↑
★5955-21-460-2055	↑	★5955-21-460-2111	427,467	★5955-21-460-2163	↑ ↑
★5955-21-460-2056	↑	★5955-21-460-2112	109,159	★5955-21-460-2164	↑ ↑
★5955-21-460-2057	↑	★5955-21-460-2113	109,159	★5955-21-460-2165	↑ ↑
★5955-21-460-2058	↑	★5955-21-460-2114	109,153,159	★5955-21-460-2166	↑ ↑
★5955-21-460-2059	↑	★5955-21-460-2115	109,153,159	★5955-21-460-2167	↑ ↑
★5955-21-460-2060	385	★5955-21-460-2116	109,153,159	★5955-21-460-2168	↑ ↑
★5955-21-460-2061	383	★5955-21-460-2117	109,153,159	★5955-21-460-2169	99,151
★5955-21-460-2062	419	★5955-21-460-2118	109,153,159	★5955-21-460-2170	17,65
★5955-21-460-2063	511,541	★5955-21-460-2119	109,153,159	★5955-21-460-2171	105,267
★5955-21-460-2064	511,541	★5955-21-460-2120	109,153,159	★5955-21-460-2172	105,297
★5955-21-460-2065	511,541	★5955-21-460-2121	109,153,159	★5955-21-460-2173	105,297
★5955-21-460-2066	511,541	★5955-21-460-2122	109,159	★5955-21-460-2174	105,297
★5955-21-460-2067	511,537	★5955-21-460-2123	109,159	★5955-21-460-2175	105,297
★5955-21-460-2068	511,537	★5955-21-460-2124	109,159	★5955-21-460-2176	125,299
★5955-21-460-2069	511,537	★5955-21-460-2125	109,153,159	★5955-21-460-2177	125,299
★5955-21-460-2070	3,45	★5955-21-460-2126	109,153,159	★5955-21-460-2178	125,299
★5955-21-460-2071	3,45	★5955-21-460-2127	109,153	★5955-21-460-2179	125,299
★5955-21-460-2072	3,45	★5955-21-460-2128	↑ ↑	★5955-21-460-2180	411
★5955-21-460-2073	3,45	★5955-21-460-2129	↑ ↑	★5955-21-460-2182	95,209
★5955-21-460-2074	101,257	★5955-21-460-2130	↑ ↑	★5955-21-460-2183	87,133
★5955-21-460-2075	101,215	★5955-21-460-2131	109,153	★5955-21-460-2184	↑ ↑
★5955-21-460-2076	431,487	★5955-21-460-2132	95,155	★5955-21-460-2185	↑ ↑
★5955-21-460-2077	429,489	★5955-21-460-2133	↑ ↑	★5955-21-460-2186	↑ ↑
★5955-21-460-2078	125,295	★5955-21-460-2134	↑ ↑	★5955-21-460-2187	87,133
★5955-21-460-2079	125,295	★5955-21-460-2135	↑ ↑	★5955-21-460-2188	87,131
★5955-21-460-2080	125,295	★5955-21-460-2136	↑ ↑	★5955-21-460-2189	↑ ↑
★5955-21-460-2081	125,295	★5955-21-460-2137	95,155	★5955-21-460-2190	↑ ↑
★5955-21-460-2082	125,295			★5955-21-460-2191	↑ ↑
★5955-21-460-2083	23,49			★5955-21-460-2192	↑ ↑
★5955-21-460-2084	23,49			★5955-21-460-2193	87,131
★5955-21-460-2085	23,49				



REFERENCE INFORMATION NATO STOCK NUMBER INDEX

NATO STOCK NO	TABLE	NATO STOCK NO	TABLE	NATO STOCK NO	TABLE
★5955-21-460-2194	105,267	★5955-21-460-2250	105,171	★5955-21-460-2306	419
★5955-21-460-2195	105,267	★5955-21-460-2251	↑	★5955-21-460-2307	419
★5955-21-460-2196	105,267	★5955-21-460-2252	↑	★5955-21-460-2308	419
★5955-21-460-2197	105,267	★5955-21-460-2253	↑	★5955-21-460-2309	87,129
★5955-21-460-2198	125,303	★5955-21-460-2254	↑	★5955-21-460-2310	87,129
★5955-21-460-2199	125,251	★5955-21-460-2255	↑	★5955-21-460-2311	87,133
★5955-21-460-2200	105,297	★5955-21-460-2256	↑	★5955-21-460-2312	87,131
★5955-21-460-2201	105,249	★5955-21-460-2257	↑	★5955-21-460-2313	101,257
★5955-21-460-2202	21,63	★5955-21-460-2258	↑	★5955-21-460-2314	↑
★5955-21-460-2203	↑	★5955-21-460-2259	↑	★5955-21-460-2315	↑
★5955-21-460-2204	↑	★5955-21-460-2260	↑	★5955-21-460-2316	↑
★5955-21-460-2205	↑	★5955-21-460-2261	↑	★5955-21-460-2317	↑
★5955-21-460-2206	21,63	★5955-21-460-2262	↑	★5955-21-460-2318	↑
★5955-21-460-2207	23,49	★5955-21-460-2263	↑	★5955-21-460-2319	↑
★5955-21-460-2208	23,49	★5955-21-460-2264	↑	★5955-21-460-2320	↑
★5955-21-460-2209	23,49	★5955-21-460-2265	↑	★5955-21-460-2321	↑
★5955-21-460-2210	23,49	★5955-21-460-2266	↑	★5955-21-460-2322	↑
★5955-21-460-2211	95,127	★5955-21-460-2267	↑	★5955-21-460-2323	↑
★5955-21-460-2212	87,133	★5955-21-460-2268	↑	★5955-21-460-2324	↑
★5955-21-460-2213	87,131	★5955-21-460-2269	↑	★5955-21-460-2325	↑
★5955-21-460-2214	119,173	★5955-21-460-2270	↑	★5955-21-460-2326	↑
★5955-21-460-2215	417	★5955-21-460-2271	↑	★5955-21-460-2327	↑
★5955-21-460-2216	101,257	★5955-21-460-2272	↑	★5955-21-460-2328	↑
★5955-21-460-2217	101,257	★5955-21-460-2273	↑	★5955-21-460-2329	↑
★5955-21-460-2218	421	★5955-21-460-2274	↑	★5955-21-460-2330	↑
★5955-21-460-2219	115,177	★5955-21-460-2275	↑	★5955-21-460-2331	↑
★5955-21-460-2220	513,519	★5955-21-460-2276	↑	★5955-21-460-2332	↑
★5955-21-460-2221	513,519	★5955-21-460-2277	↑	★5955-21-460-2333	↑
★5955-21-460-2222	513,519	★5955-21-460-2278	↑	★5955-21-460-2334	↑
★5955-21-460-2223	115,177	★5955-21-460-2279	↑	★5955-21-460-2335	↑
★5955-21-460-2224	105,247	★5955-21-460-2280	105,171	★5955-21-460-2336	↑
★5955-21-460-2225	105,247	★5955-21-460-2281	101,257	★5955-21-460-2337	↑
★5955-21-460-2226	311	★5955-21-460-2282	419	★5955-21-460-2338	↑
★5955-21-460-2227	391	★5955-21-460-2283	125,277	★5955-21-460-2339	↑
★5955-21-460-2228	9,47	★5955-21-460-2284	31,41	★5955-21-460-2340	↑
★5955-21-460-2229	9,47	★5955-21-460-2285	↑	★5955-21-460-2341	↑
★5955-21-460-2230	9,47	★5955-21-460-2286	↑	★5955-21-460-2342	↑
★5955-21-460-2231	9,47	★5955-21-460-2287	↑	★5955-21-460-2343	↑
★5955-21-460-2232	125,277	★5955-21-460-2288	↑	★5955-21-460-2344	↑
★5955-21-460-2233	125,277	★5955-21-460-2289	31,41	★5955-21-460-2345	↑
★5955-21-460-2234	125,277	★5955-21-460-2290	3,85	★5955-21-460-2346	↑
★5955-21-460-2235	21,63	★5955-21-460-2291	3,45,85	★5955-21-460-2347	↑
★5955-21-460-2236	17,65	★5955-21-460-2292	3,85	★5955-21-460-2348	↑
★5955-21-460-2237	17,65	★5955-21-460-2293	3,85	★5955-21-460-2349	↑
★5955-21-460-2238	113,263	★5955-21-460-2294	3,85	★5955-21-460-2350	↑
★5955-21-460-2239	103,265	★5955-21-460-2295	25,67	★5955-21-460-2351	↑
★5955-21-460-2240	105,171	★5955-21-460-2296	27,39	★5955-21-460-2352	↑
★5955-21-460-2241	↑	★5955-21-460-2297	109,169	★5955-21-460-2353	↑
★5955-21-460-2242	↑	★5955-21-460-2298	↑	★5955-21-460-2354	↑
★5955-21-460-2243	↑	★5955-21-460-2299	↑	★5955-21-460-2355	↑
★5955-21-460-2244	↑	★5955-21-460-2300	↑	★5955-21-460-2356	↑
★5955-21-460-2245	↑	★5955-21-460-2301	↑	★5955-21-460-2357	101,257
★5955-21-460-2246	↑	★5955-21-460-2302	109,169	★5955-21-460-2358	101,215
★5955-21-460-2247	↑	★5955-21-460-2303	361	★5955-21-460-2359	101,215
★5955-21-460-2248	↑	★5955-21-460-2304	393	★5955-21-460-2360	101,215
★5955-21-460-2249	105,171	★5955-21-460-2305	393	★5955-21-460-2361	101,215



REFERENCE INFORMATION NATO STOCK NUMBER INDEX

NATO STOCK NO	TABLE	NATO STOCK NO	TABLE	NATO STOCK NO	TABLE
★5955-21-460-2362	101, 215	★5955-21-460-2418	87, 133	★5955-21-460-2474	87, 133
★5955-21-460-2363		★5955-21-460-2419		★5955-21-460-2475	87, 133
★5955-21-460-2364		★5955-21-460-2420		★5955-21-460-2476	107, 233
★5955-21-460-2365		★5955-21-460-2421		★5955-21-460-2477	17, 65
★5955-21-460-2366		★5955-21-460-2422		★5955-21-460-2478	17, 65
★5955-21-460-2367	↑	★5955-21-460-2423	↑	★5955-21-460-2479	21, 63
★5955-21-460-2368		★5955-21-460-2424		★5955-21-460-2480	21, 63
★5955-21-460-2369		★5955-21-460-2425		★5955-21-460-2481	21, 63
★5955-21-460-2370		★5955-21-460-2426		★5955-21-460-2482	321
★5955-21-460-2371		★5955-21-460-2427		★5955-21-460-2483	403
★5955-21-460-2372		★5955-21-460-2428		★5955-21-460-2484	↑
★5955-21-460-2373		★5955-21-460-2429		★5955-21-460-2485	
★5955-21-460-2374		★5955-21-460-2430		★5955-21-460-2486	
★5955-21-460-2375		★5955-21-460-2431		★5955-21-460-2487	
★5955-21-460-2376		★5955-21-460-2432		★5955-21-460-2488	
★5955-21-460-2377		★5955-21-460-2433		★5955-21-460-2489	
★5955-21-460-2378		★5955-21-460-2434		★5955-21-460-2490	
★5955-21-460-2379		★5955-21-460-2435		★5955-21-460-2491	
★5955-21-460-2380		★5955-21-460-2436		★5955-21-460-2492	
★5955-21-460-2381		★5955-21-460-2437		★5955-21-460-2493	
★5955-21-460-2382		★5955-21-460-2438		★5955-21-460-2494	
★5955-21-460-2383		★5955-21-460-2439		★5955-21-460-2495	
★5955-21-460-2384		★5955-21-460-2440		★5955-21-460-2496	
★5955-21-460-2385		★5955-21-460-2441		★5955-21-460-2497	
★5955-21-460-2386		★5955-21-460-2442		★5955-21-460-2498	
★5955-21-460-2387		★5955-21-460-2443		★5955-21-460-2499	
★5955-21-460-2388		★5955-21-460-2444		★5955-21-460-2500	
★5955-21-460-2389		★5955-21-460-2445		★5955-21-460-2501	
★5955-21-460-2390		★5955-21-460-2446		★5955-21-460-2502	
★5955-21-460-2391		★5955-21-460-2447		★5955-21-460-2503	
★5955-21-460-2392	★5955-21-460-2448	★5955-21-460-2504	↑		
★5955-21-460-2393	★5955-21-460-2449	★5955-21-460-2505			
★5955-21-460-2394	★5955-21-460-2450	★5955-21-460-2506			
★5955-21-460-2395	★5955-21-460-2451	★5955-21-460-2507			
★5955-21-460-2396	★5955-21-460-2452	★5955-21-460-2508			
★5955-21-460-2397	★5955-21-460-2453	★5955-21-460-2509			
★5955-21-460-2398	★5955-21-460-2454	★5955-21-460-2510			
★5955-21-460-2399	★5955-21-460-2455	★5955-21-460-2511			
★5955-21-460-2400	★5955-21-460-2456	★5955-21-460-2512			
★5955-21-460-2401	★5955-21-460-2457	★5955-21-460-2513			
★5955-21-460-2402	★5955-21-460-2458	★5955-21-460-2514			
★5955-21-460-2403	★5955-21-460-2459	★5955-21-460-2515			
★5955-21-460-2404	★5955-21-460-2460	★5955-21-460-2516			
★5955-21-460-2405	★5955-21-460-2461	★5955-21-460-2517			
★5955-21-460-2406	★5955-21-460-2462	★5955-21-460-2518			
★5955-21-460-2407	★5955-21-460-2463	★5955-21-460-2519			
★5955-21-460-2408	★5955-21-460-2464	★5955-21-460-2520			
★5955-21-460-2409	★5955-21-460-2465	★5955-21-460-2521			
★5955-21-460-2410	★5955-21-460-2466	★5955-21-460-2522			
★5955-21-460-2411	★5955-21-460-2467	★5955-21-460-2523			
★5955-21-460-2412	★5955-21-460-2468	★5955-21-460-2524		405	
★5955-21-460-2413	★5955-21-460-2469	★5955-21-460-2525		3, 45	
★5955-21-460-2414	★5955-21-460-2470	★5955-21-460-2526		125, 289	
★5955-21-460-2415	★5955-21-460-2471	★5955-21-460-2527		125, 289	
★5955-21-460-2416	★5955-21-460-2472	★5955-21-460-2528		101, 221	
★5955-21-460-2417	★5955-21-460-2473	★5955-21-460-2529	27, 39		



RCN Catalogue of Materiel

5955

REFERENCE INFORMATION NATO STOCK NUMBER INDEX

NATO STOCK NO	TABLE	NATO STOCK NO	TABLE	NATO STOCK NO	TABLE
★5955-21-460-2530	87, 129	★5955-21-460-2586	87, 129	★5955-21-460-2642	99, 139
★5955-21-460-2531	31, 41	★5955-21-460-2588	21, 63	★5955-21-460-2643	99, 139
★5955-21-460-2532	105, 171	★5955-21-460-2589	21, 63	★5955-21-460-2644	99, 139
★5955-21-460-2533	105, 171	★5955-21-460-2590	21, 63	★5955-21-460-2645	99, 139
★5955-21-460-2534	109, 169	★5955-21-460-2591	21, 63	★5955-21-460-2646	101, 215
				★5955-21-460-2647	101, 257
★5955-21-460-2535	109, 169	★5955-21-460-2592	105, 267	★5955-21-460-2648	101, 257
★5955-21-460-2536	17, 65	★5955-21-460-2593	105, 297	★5955-21-460-2649	9, 47
★5955-21-460-2537	17, 65	★5955-21-460-2594	95, 217, 227	★5955-21-460-2650	5, 51
★5955-21-460-2538	17, 65	★5955-21-460-2595	9, 47	★5955-21-460-2651	121, 237
★5955-21-460-2539	35, 55	★5955-21-460-2596	121, 237	★5955-21-460-2652	121, 237
				★5955-21-460-2653	95, 217
★5955-21-460-2540	17, 65	★5955-21-460-2597	5, 51	★5955-21-460-2654	419
★5955-21-460-2541	31, 41	★5955-21-460-2598	410	★5955-21-460-2655	359
★5955-21-460-2542	21, 61	★5955-21-460-2599	397	★5955-21-460-2656	105, 161
★5955-21-460-2543	↑ ↑	★5955-21-460-2600	101, 215	★5955-21-460-2657	105, 161
★5955-21-460-2544	↑ ↑	★5955-21-460-2601	101, 257		
★5955-21-460-2545	↑ ↑	★5955-21-460-2602	105, 245	★5955-21-460-2658	105, 255
★5955-21-460-2546	21, 61	★5955-21-460-2603	105, 245	★5955-21-460-2659	↑ ↑
★5955-21-460-2547	3, 45	★5955-21-460-2604	99, 139	★5955-21-460-2660	↑ ↑
★5955-21-460-2548	109, 169	★5955-21-460-2605	↑ ↑	★5955-21-460-2661	↑ ↑
★5955-21-460-2549	109, 169	★5955-21-460-2606	↑ ↑	★5955-21-460-2662	↑ ↑
★5955-21-460-2550	339	★5955-21-460-2607	↑ ↑	★5955-21-460-2663	↑ ↑
★5955-21-460-2551	3, 45	★5955-21-460-2608	↑ ↑	★5955-21-460-2664	↑ ↑
★5955-21-460-2552	17, 65	★5955-21-460-2609	↑ ↑	★5955-21-460-2665	105, 255
★5955-21-460-2553	17, 65	★5955-21-460-2610	↑ ↑	★5955-21-460-2666	117, 165
★5955-21-460-2554	99, 239	★5955-21-460-2611	↑ ↑	★5955-21-460-2667	419
★5955-21-460-2555	331	★5955-21-460-2612	↑ ↑	★5955-21-460-2668	549
★5955-21-460-2556	329	★5955-21-460-2613	↑ ↑	★5955-21-460-2669	95, 217
★5955-21-460-2557	105, 267	★5955-21-460-2614	↑ ↑	★5955-21-460-2670	↑ ↑
★5955-21-460-2558	105, 297	★5955-21-460-2615	↑ ↑	★5955-21-460-2671	↑ ↑
★5955-21-460-2559	341	★5955-21-460-2616	↑ ↑	★5955-21-460-2672	↑ ↑
★5955-21-460-2560	345	★5955-21-460-2617	↑ ↑	★5955-21-460-2673	↑ ↑
★5955-21-460-2561	345	★5955-21-460-2618	↑ ↑	★5955-21-460-2674	↑ ↑
★5955-21-460-2562	367	★5955-21-460-2619	↑ ↑	★5955-21-460-2675	↑ ↑
★5955-21-460-2563	369	★5955-21-460-2620	↑ ↑	★5955-21-460-2676	↑ ↑
★5955-21-460-2564	371	★5955-21-460-2621	↑ ↑	★5955-21-460-2677	↑ ↑
★5955-21-460-2565	373	★5955-21-460-2622	↑ ↑	★5955-21-460-2678	↑ ↑
★5955-21-460-2566	15, 71	★5955-21-460-2623	↑ ↑	★5955-21-460-2679	↑ ↑
★5955-21-460-2567	19, 75	★5955-21-460-2624	↑ ↑	★5955-21-460-2680	↑ ↑
★5955-21-460-2568	21, 61	★5955-21-460-2625	↑ ↑	★5955-21-460-2681	↑ ↑
★5955-21-460-2569	21, 63	★5955-21-460-2626	↑ ↑	★5955-21-460-2682	↑ ↑
★5955-21-460-2570	21, 61	★5955-21-460-2627	↑ ↑	★5955-21-460-2683	↑ ↑
★5955-21-460-2571	21, 61	★5955-21-460-2628	↑ ↑	★5955-21-460-2684	↑ ↑
★5955-21-460-2572	23, 49	★5955-21-460-2629	↑ ↑	★5955-21-460-2685	↑ ↑
★5955-21-460-2573	105, 291	★5955-21-460-2630	↑ ↑	★5955-21-460-2686	↑ ↑
★5955-21-460-2574	95, 127	★5955-21-460-2631	↑ ↑	★5955-21-460-2687	↑ ↑
★5955-21-460-2575	21, 63	★5955-21-460-2632	↑ ↑	★5955-21-460-2688	↑ ↑
★5955-21-460-2576	21, 63	★5955-21-460-2633	↑ ↑	★5955-21-460-2689	↑ ↑
★5955-21-460-2577	21, 63	★5955-21-460-2634	↑ ↑	★5955-21-460-2690	↑ ↑
★5955-21-460-2578	35, 55	★5955-21-460-2635	↑ ↑	★5955-21-460-2691	↑ ↑
★5955-21-460-2579	7, 53	★5955-21-460-2636	↑ ↑	★5955-21-460-2692	↑ ↑
★5955-21-460-2580	21, 63	★5955-21-460-2637	↑ ↑	★5955-21-460-2693	↑ ↑
★5955-21-460-2581	105, 287	★5955-21-460-2638	↑ ↑	★5955-21-460-2694	↑ ↑
★5955-21-460-2582	105, 287	★5955-21-460-2639	↑ ↑	★5955-21-460-2695	↑ ↑
★5955-21-460-2583	95, 227	★5955-21-460-2640	↑ ↑	★5955-21-460-2696	↑ ↑
★5955-21-460-2584	35, 55	★5955-21-460-2641	↑ ↑	★5955-21-460-2697	↑ ↑
★5955-21-460-2585	417			★5955-21-460-2698	95, 217



RCN Catalogue of Materiel

5955

REFERENCE INFORMATION NATO STOCK NUMBER INDEX

NATO STOCK NO	TABLE	NATO STOCK NO	TABLE	NATO STOCK NO	TABLE
★5955-21-460-2699	95,217	★5955-21-460-2753	377	★5955-21-460-2809	123,179
★5955-21-460-2700	↑	★5955-21-460-2754	377	★5955-21-460-2810	95,187
★5955-21-460-2701	↑	★5955-21-460-2755	377	★5955-21-460-2811	↑
★5955-21-460-2702	↑	★5955-21-460-2756	377	★5955-21-460-2812	↑
★5955-21-460-2703	↑	★5955-21-460-2757	87,131	★5955-21-460-2813	↑
★5955-21-460-2704	↑	★5955-21-460-2758	87,133	★5955-21-460-2814	↑
★5955-21-460-2705	↑	★5955-21-460-2759	87,129	★5955-21-460-2815	↑
★5955-21-460-2706	↑	★5955-21-460-2760	95,127	★5955-21-460-2816	↑
★5955-21-460-2707	↑	★5955-21-460-2761	25,67	★5955-21-460-2817	95,187
★5955-21-460-2708	95,217	★5955-21-460-2762	27,39	★5955-21-460-2818	87,129
★5955-21-460-2709	95,145, 217	★5955-21-460-2763	99,239	★5955-21-460-2819	87,133
★5955-21-460-2710	95,217	★5955-21-460-2764	347	★5955-21-460-2820	87,131
★5955-21-460-2711	↑	★5955-21-460-2765	325	★5955-21-460-2821	95,137
★5955-21-460-2712	↑	★5955-21-460-2766	327	★5955-21-460-2822	95,135
★5955-21-460-2713	↑	★5955-21-460-2767	403	★5955-21-460-2823	3,45
★5955-21-460-2714	↑	★5955-21-460-2768	↑	★5955-21-460-2824	↑
★5955-21-460-2715	95,217	★5955-21-460-2769	↑	★5955-21-460-2825	↑
★5955-21-460-2716	95,145, 217	★5955-21-460-2770	↑	★5955-21-460-2826	↑
★5955-21-460-2717	95,217	★5955-21-460-2771	↑	★5955-21-460-2827	↑
★5955-21-460-2718	↑	★5955-21-460-2772	↑	★5955-21-460-2828	↑
★5955-21-460-2719	↑	★5955-21-460-2773	↑	★5955-21-460-2829	↑
★5955-21-460-2720	↑	★5955-21-460-2774	↑	★5955-21-460-2830	↑
★5955-21-460-2721	↑	★5955-21-460-2775	↑	★5955-21-460-2831	↑
★5955-21-460-2722	↑	★5955-21-460-2776	↑	★5955-21-460-2832	↑
★5955-21-460-2723	↑	★5955-21-460-2777	↑	★5955-21-460-2833	↑
★5955-21-460-2724	↑	★5955-21-460-2778	↑	★5955-21-460-2834	↑
★5955-21-460-2725	↑	★5955-21-460-2779	↑	★5955-21-460-2835	↑
★5955-21-460-2726	↑	★5955-21-460-2780	↑	★5955-21-460-2836	↑
★5955-21-460-2727	↑	★5955-21-460-2781	↑	★5955-21-460-2837	↑
★5955-21-460-2728	↑	★5955-21-460-2782	403	★5955-21-460-2838	↑
★5955-21-460-2729	↑	★5955-21-460-2783	↑	★5955-21-460-2839	↑
★5955-21-460-2730	↑	★5955-21-460-2784	405	★5955-21-460-2840	3,45
★5955-21-460-2731	↑	★5955-21-460-2785	↑	★5955-21-460-2841	95,183
★5955-21-460-2732	↑	★5955-21-460-2786	↑	★5955-21-460-2842	95,181
★5955-21-460-2733	↑	★5955-21-460-2787	↑	★5955-21-460-2844	95,181
★5955-21-460-2734	↑	★5955-21-460-2788	↑	★5955-21-460-2845	95,183
★5955-21-460-2735	↑	★5955-21-460-2789	↑	★5955-21-460-2846	95,181
★5955-21-460-2736	↑	★5955-21-460-2790	↑	★5955-21-460-2847	95,183
★5955-21-460-2737	↑	★5955-21-460-2791	↑	★5955-21-460-2848	95,181
★5955-21-460-2738	95,217	★5955-21-460-2792	↑	★5955-21-460-2849	95,183
★5955-21-460-2739	5,51	★5955-21-460-2793	↑	★5955-21-460-2850	95,181
★5955-21-460-2740	111,211	★5955-21-460-2794	↑	★5955-21-460-2851	17,65
★5955-21-460-2741	95,127	★5955-21-460-2795	↑	★5955-21-460-2852	25,67
★5955-21-460-2742	95,127	★5955-21-460-2796	↑	★5955-21-460-2853	101,257
★5955-21-460-2743	87,129	★5955-21-460-2797	↑	★5955-21-460-2854	101,257
★5955-21-460-2744	87,129	★5955-21-460-2798	405	★5955-21-460-2855	101,257
★5955-21-460-2745	361	★5955-21-460-2799	361	★5955-21-460-2856	101,215
★5955-21-460-2746	377	★5955-21-460-2800	113,163	★5955-21-460-2857	101,215
★5955-21-460-2747	↑	★5955-21-460-2801	113,163	★5955-21-460-2858	101,215
★5955-21-460-2748	↑	★5955-21-460-2802	113,163	★5955-21-460-2859	95,187
★5955-21-460-2749	↑	★5955-21-460-2803	15,71	★5955-21-460-2860	405
★5955-21-460-2750	↑	★5955-21-460-2804	15,71	★5955-21-460-2861	405
★5955-21-460-2751	↑	★5955-21-460-2805	31,41	★5955-21-460-2862	403
★5955-21-460-2752	377	★5955-21-460-2806	31,41	★5955-21-460-2863	403
		★5955-21-460-2807	123,179	★5955-21-460-2864	95,135
		★5955-21-460-2808	123,179	★5955-21-460-2865	95,135



RCN Catalogue of Materiel

5955

REFERENCE INFORMATION NATO STOCK NUMBER INDEX

NATO STOCK NO	TABLE	NATO STOCK NO	TABLE	NATO STOCK NO	TABLE
★5955-21-460-2866	95, 135	★5955-21-460-2922	17, 65	★5955-21-460-2977	95, 227
★5955-21-460-2867	↑	★5955-21-460-2923	↑	★5955-21-460-2978	↑
★5955-21-460-2868	↑	★5955-21-460-2924	↑	★5955-21-460-2979	↑
★5955-21-460-2869	↑	★5955-21-460-2925	↑	★5955-21-460-2980	↑
★5955-21-460-2870	↑	★5955-21-460-2926	↑	★5955-21-460-2981	↑
★5955-21-460-2871	↑	★5955-21-460-2927	17, 65	★5955-21-460-2982	↑
★5955-21-460-2872	↑	★5955-21-460-2928	105, 293	★5955-21-460-2983	↑
★5955-21-460-2873	↑	★5955-21-460-2929	↑	★5955-21-460-2984	↑
★5955-21-460-2874	↑	★5955-21-460-2930	↑	★5955-21-460-2985	↑
★5955-21-460-2875	↑	★5955-21-460-2931	↑	★5955-21-460-2986	↑
★5955-21-460-2876	↑	★5955-21-460-2932	↑	★5955-21-460-2987	↑
★5955-21-460-2877	↑	★5955-21-460-2933	↑	★5955-21-460-2988	↑
★5955-21-460-2878	↑	★5955-21-460-2934	↑	★5955-21-460-2989	95, 227
★5955-21-460-2879	↑	★5955-21-460-2935	↑	★5955-21-460-2990	105, 267
★5955-21-460-2880	↑	★5955-21-460-2936	105, 293	★5955-21-460-2991	↑
★5955-21-460-2881	↑	★5955-21-460-2937	95, 187	★5955-21-460-2992	↑
★5955-21-460-2882	↑	★5955-21-460-2938	↑	★5955-21-460-2993	↑
★5955-21-460-2883	↑	★5955-21-460-2939	↑	★5955-21-460-2994	↑
★5955-21-460-2884	↑	★5955-21-460-2940	↑	★5955-21-460-2995	↑
★5955-21-460-2885	↑	★5955-21-460-2941	↑	★5955-21-460-2996	↑
★5955-21-460-2886	↑	★5955-21-460-2942	↑	★5955-21-460-2997	↑
★5955-21-460-2887	95, 135	★5955-21-460-2943	↑	★5955-21-460-2998	↑
★5955-21-460-2888	95, 137	★5955-21-460-2944	↑	★5955-21-460-2999	↑
★5955-21-460-2889	↑	★5955-21-460-2945	95, 187	★5955-21-460-3000	↑
★5955-21-460-2890	↑	★5955-21-460-2946	105, 279	★5955-21-460-3001	↑
★5955-21-460-2891	↑	★5955-21-460-2947	↑	★5955-21-460-3002	↑
★5955-21-460-2892	↑	★5955-21-460-2948	↑	★5955-21-460-3003	↑
★5955-21-460-2893	↑	★5955-21-460-2949	↑	★5955-21-460-3004	105, 267
★5955-21-460-2894	↑	★5955-21-460-2950	↑	★5955-21-460-3005	403
★5955-21-460-2895	↑	★5955-21-460-2951	105, 279	★5955-21-460-3006	405
★5955-21-460-2896	↑	★5955-21-460-2952	511, 537	★5955-21-460-3007	105, 171
★5955-21-460-2897	↑	★5955-21-460-2953	511, 537	★5955-21-460-3008	105, 219
★5955-21-460-2898	↑	★5955-21-460-2954	105, 279, 293	★5955-21-460-3009	↑
★5955-21-460-2899	↑	★5955-21-460-2955	3, 45	★5955-21-460-3010	↑
★5955-21-460-2900	↑	★5955-21-460-2956	↑	★5955-21-460-3011	↑
★5955-21-460-2901	↑	★5955-21-460-2957	↑	★5955-21-460-3012	↑
★5955-21-460-2902	↑	★5955-21-460-2958	↑	★5955-21-460-3013	↑
★5955-21-460-2903	↑	★5955-21-460-2959	↑	★5955-21-460-3014	105, 219
★5955-21-460-2904	↑	★5955-21-460-2960	3, 45	★5955-21-460-3015	343
★5955-21-460-2905	↑	★5955-21-460-2961	101, 215	★5955-21-460-3016	↑
★5955-21-460-2906	↑	★5955-21-460-2962	101, 257	★5955-21-460-3017	↑
★5955-21-460-2907	95, 137	★5955-21-460-2963	101, 257	★5955-21-460-3018	↑
★5955-21-460-2908	511, 517	★5955-21-460-2964	105, 193	★5955-21-460-3019	↑
★5955-21-460-2909	109, 169	★5955-21-460-2965	↑	★5955-21-460-3020	↑
★5955-21-460-2910	409	★5955-21-460-2966	↑	★5955-21-460-3021	↑
★5955-21-460-2911	3, 45	★5955-21-460-2967	↑	★5955-21-460-3022	↑
★5955-21-460-2912	↑	★5955-21-460-2968	↑	★5955-21-460-3023	↑
★5955-21-460-2913	↑	★5955-21-460-2969	↑	★5955-21-460-3024	↑
★5955-21-460-2914	↑	★5955-21-460-2970	105, 193	★5955-21-460-3025	↑
★5955-21-460-2915	↑	★5955-21-460-2971	123, 197	★5955-21-460-3026	↑
★5955-21-460-2916	3, 45	★5955-21-460-2972	121, 195	★5955-21-460-3027	↑
★5955-21-460-2917	17, 65	★5955-21-460-2973	99, 189	★5955-21-460-3028	343
★5955-21-460-2918	↑	★5955-21-460-2974	95, 227	★5955-21-460-3029	365
★5955-21-460-2919	↑	★5955-21-460-2975	95, 227	★5955-21-460-3030	365
★5955-21-460-2920	↑	★5955-21-460-2976	95, 227	★5955-21-460-3031	365
★5955-21-460-2921	17, 65			★5955-21-460-3032	365



RCN Catalogue of Materiel

5955

REFERENCE INFORMATION NATO STOCK NUMBER INDEX

NATO STOCK NO	TABLE	NATO STOCK NO	TABLE	NATO STOCK NO	TABLE
★5955-21-460-3033	365	★5955-21-460-3090	405	★5955-21-460-3145	105,297
★5955-21-460-3034	365	★5955-21-460-3091	403	★5955-21-460-3146	105,267
★5955-21-460-3035	365	★5955-21-460-3092	403	★5955-21-460-3147	105,267
★5955-21-460-3036	101,257	★5955-21-460-3093	403	★5955-21-460-3148	3,45
★5955-21-460-3037	101,257	★5955-21-460-3094	121,235	★5955-21-460-3149	3,45
★5955-21-460-3038	101,221	★5955-21-460-3095	121,235	★5955-21-460-3150	105,255
★5955-21-460-3039	105,287	★5955-21-460-3096	121,235	★5955-21-460-3151	↑
★5955-21-460-3040	105,285	★5955-21-460-3097	121,235	★5955-21-460-3152	↑
★5955-21-460-3041	105,287	★5955-21-460-3098	9,47	★5955-21-460-3153	↑
★5955-21-460-3042	105,297	★5955-21-460-3099	405	★5955-21-460-3154	↑
★5955-21-460-3043	5,51	★5955-21-460-3100	403	★5955-21-460-3155	↑
★5955-21-460-3044	9,47	★5955-21-460-3101	31,41	★5955-21-460-3156	↑
★5955-21-460-3045	↑	★5955-21-460-3102	↑	★5955-21-460-3157	↑
★5955-21-460-3046	↑	★5955-21-460-3103	↑	★5955-21-460-3158	↑
★5955-21-460-3047	↑	★5955-21-460-3104	↑	★5955-21-460-3159	↑
★5955-21-460-3048	9,47	★5955-21-460-3105	↑	★5955-21-460-3160	↑
★5955-21-460-3049	105,285	★5955-21-460-3106	31,41	★5955-21-460-3161	↑
★5955-21-460-3050	105,219	★5955-21-460-3107	105,147	★5955-21-460-3162	↑
★5955-21-460-3051	105,297	★5955-21-460-3108	105,147	★5955-21-460-3163	↑
★5955-21-460-3052	105,267	★5955-21-460-3109	319	★5955-21-460-3164	↑
★5955-21-460-3053	105,279	★5955-21-460-3110	319	★5955-21-460-3165	↑
★5955-21-460-3054	105,279	★5955-21-460-3111	319	★5955-21-460-3166	↑
★5955-21-460-3055	105,279	★5955-21-460-3112	319	★5955-21-460-3167	↑
★5955-21-460-3056	349	★5955-21-460-3113	95,145	★5955-21-460-3168	↑
★5955-21-460-3057	349	★5955-21-460-3114	5,51	★5955-21-460-3169	105,255
★5955-21-460-3058	97,253	★5955-21-460-3115	377	★5955-21-460-3170	105,279
★5955-21-460-3059	305	★5955-21-460-3116	377	★5955-21-460-3171	355
★5955-21-460-3060	353	★5955-21-460-3117	377	★5955-21-460-3172	341
★5955-21-460-3061	353	★5955-21-460-3118	105,255	★5955-21-460-3173	↑
★5955-21-460-3062	419	★5955-21-460-3119	105,255	★5955-21-460-3174	↑
★5955-21-460-3063	353	★5955-21-460-3120	105,255	★5955-21-460-3176	↑
★5955-21-460-3064	3,45	★5955-21-460-3121	105,255	★5955-21-460-3177	↑
★5955-21-460-3065	95,187	★5955-21-460-3122	105,255	★5955-21-460-3178	341
★5955-21-460-3066	17,65	★5955-21-460-3123	105,193,255	★5955-21-460-3179	339
★5955-21-460-3067	415	★5955-21-460-3124	105,255	★5955-21-460-3180	↑
★5955-21-460-3068	405	★5955-21-460-3125	↑	★5955-21-460-3181	↑
★5955-21-460-3069	403	★5955-21-460-3126	↑	★5955-21-460-3182	↑
★5955-21-460-3070	95,271	★5955-21-460-3127	↑	★5955-21-460-3183	↑
★5955-21-460-3071	3,45	★5955-21-460-3128	↑	★5955-21-460-3184	↑
★5955-21-460-3072	17,65	★5955-21-460-3129	↑	★5955-21-460-3185	339
★5955-21-460-3073	17,65	★5955-21-460-3130	↑	★5955-21-460-3186	121,269
★5955-21-460-3074	95,187	★5955-21-460-3131	↑	★5955-21-460-3187	121,269
★5955-21-460-3075	95,187	★5955-21-460-3132	↑	★5955-21-460-3188	121,269
★5955-21-460-3076	95,225	★5955-21-460-3133	↑	★5955-21-460-3189	419
★5955-21-460-3078	105,193	★5955-21-460-3134	↑	★5955-21-460-3190	101,221
★5955-21-460-3079	95,191	★5955-21-460-3135	↑	★E 5955-21-460-3191	105,279
★5955-21-460-3080	419	★5955-21-460-3136	↑	★E 5955-21-460-3192	105,279
★5955-21-460-3081	403	★5955-21-460-3137	↑	★E 5955-21-460-3193	105,279
★5955-21-460-3082	403	★5955-21-460-3138	↑	★E 5955-21-460-3194	105,293
★5955-21-460-3083	403	★5955-21-460-3139	↑	★E 5955-21-460-3195	105,293
★5955-21-460-3084	405	★5955-21-460-3140	↑	★E 5955-21-460-3196	105,293
★5955-21-460-3085	405	★5955-21-460-3141	↑	★E 5955-21-460-3197	105,143
★5955-21-460-3086	405	★5955-21-460-3142	105,255	★E 5955-21-460-3198	105,143
★5955-21-460-3087	95,187	★5955-21-460-3143	31,69	★E 5955-21-460-3199	31,69
★5955-21-460-3088	405	★5955-21-460-3144	105,297	★E 5955-21-460-3200	105,219
★5955-21-460-3089	405			★E 5955-21-460-3201	105,219



RCN Catalogue of Materiel

5955

REFERENCE INFORMATION NATO STOCK NUMBER INDEX

NATO STOCK NO	TABLE	NATO STOCK NO	TABLE	NATO STOCK NO	TABLE
★E 5955-21-460-3202	3, 45	★E 5955-21-460-3233	27, 39	5955-21-762-0023	105, 134-2
★E 5955-21-460-3203	95, 187	★E 5955-21-460-3234	101, 221	5955-21-762-0024	312
★E 5955-21-460-3204	95, 187	★E 5955-21-460-3235	95, 127	5955-21-762-0025	
★E 5955-21-460-3205	35, 55	★E 5955-21-460-3236	87, 129	5955-21-762-0026	
★E 5955-21-460-3206	95, 283	5955-21-460-5000	315	5955-21-762-0027	
★E 5955-21-460-3207	95, 283	5955-21-460-5001	315	5955-21-762-0028	
★E 5955-21-460-3208	105, 219	5955-21-460-5002	315	5955-21-767-0029	
★E 5955-21-460-3209	105, 219	5955-21-762-0000	95, 134	5955-21-762-0030	
★E 5955-21-460-3210	109, 185	5955-21-762-0001		5955-21-762-0031	
★E 5955-21-460-3211		5955-21-762-0002		5955-21-762-0032	
★E 5955-21-460-3212		5955-21-762-0003		5955-21-762-0033	
★E 5955-21-460-3213		5955-21-762-0004		5955-21-762-0034	
★E 5955-21-460-3214		5955-21-762-0005		5955-21-762-0035	
★E 5955-21-460-3215		5955-21-762-0006		5955-21-762-0036	
★E 5955-21-460-3216		5955-21-762-0007		5955-21-762-0037	
★E 5955-21-460-3217		5955-21-762-0008		5955-21-762-0038	312
★E 5955-21-460-3218		5955-21-762-0009		5955-21-762-0039	304
★E 5955-21-460-3219		5955-21-762-0010		5955-21-762-0040	304-1
★E 5955-21-460-3220		5955-21-762-0011	95, 134	5955-21-762-0041	
★E 5955-21-460-3221		5955-21-762-0012	99, 134-1	5955-21-762-0042	
★E 5955-21-460-3222		5955-21-762-0013		5955-21-762-0043	
★E 5955-21-460-3223		5955-21-762-0014		5955-21-762-0044	
★E 5955-21-460-3224		5955-21-762-0015		5955-21-762-0045	
★E 5955-21-460-3225		5955-21-762-0016		5955-21-762-0046	304-1
★E 5955-21-460-3226	109, 185	5955-21-762-0017		5955-21-762-0047	508, 532
★E 5955-21-460-3228	105, 219	5955-21-762-0018		5955-21-762-0048	312
★E 5955-21-460-3229	105, 219	5955-21-762-0019		5955-21-762-0049	304-2
★E 5955-21-460-3230	31, 41	5955-21-762-0020		5955-21-762-0050	99, 254
★E 5955-21-460-3231	31, 41	5955-21-762-0021			
★E 5955-21-460-3232	25, 67	5955-21-762-0022	99, 134-1		

REFERENCE NUMBER INDEX

REFERENCE NO	NATO STOCK NO	NATOSC	REFERENCE NO	NATO STOCK NO	NATOSC
AC-95-B (228 KC)	5955-21-460-2799	49671	G-9 (10.0 KC)	5955-21-460-2226	75378
AC-95-B (278 KC)	5955-21-460-2303	49671	G-9 11.5 KC)	5955-21-460-2470	75378
AC-95-B (353 KC)	5955-21-460-2745	49671	G-9 (8.5 KC)	5955-21-460-2471	75378
AC-95-B (482 KC)	5955-21-460-2227	49671	HMIG 2743 KC)	5955-21-460-2562	80211
ART	5955-21-460-2282	71034	HSI	5955-21-460-2564	80211
ART (4000.2125 KC)	5955-21-460-1776	71034	H-12 (589.5 KC)	5955-21-460-2565	75378
ART (5000.2125 KC)	5955-21-460-1777	71034	H16s (114 KC)	5955-21-460-5002	
BD16065	5955-21-460-3057	11028	H16s (130 KC)	5955-21-460-5000	
BD16066	5955-21-460-3056		H16s (142 KC)	5955-21-460-5001	
BD7822	5955-21-460-3029		H-17T (73.6 KC)	5955-21-460-2094	
BD7929	5955-21-460-3030		JKO-2	5955-21-460-1879	
BD7930	5955-21-460-3033		JK09s	5955-21-460-2667	75378
BD7931	5955-21-460-3031		KV3 (100 KC)	5955-21-460-2655	71034
BD7932	5955-21-460-3034		L205628-2	5955-21-460-2307	06845
BD7933	5955-21-460-3032		MI-19454-2	5955-21-460-2482	49671
BD7934	5955-21-460-3035	11028	MS433	5955-21-460-1130	71034
B2180-1	5955-21-460-2003	90073	N200448-1	5955-21-460-2308	06845
CAL953K00000006	5955-11-460-2654	35225	N205651-2	5955-21-460-2306	06845
D-100	5955-21-460-2668	35084	PL100	5955-21-460-0894	77376
FERA-3050-2	5955-21-460-1881	09712	RL7065-126R	5955-21-460-3061	09712
FRE-11109-1	5955-21-460-2180	21964	RL7065-144E	5955-21-460-3060	09172
GA50144	5955-21-460-1198	64959	RL7065-144J	5955-21-460-3063	09172



RCN Catalogue of Materiel

5955

REFERENCE INFORMATION REFERENCE NUMBER INDEX

REFERENCE NO.	NATO STOCK NO.	NATOSC	REFERENCE NO.	NATO STOCK NO.	NATOSC
SPECIAL (1000 KC)	5955-21-460-0898	49671	290-2798-00	5955-21-460-2779	07 216
SR10 (1000 KC)	5955-21-460-1262	71034	290-2951-00	5955-21-460-2516	
SR10 (455 KC)	5955-21-460-1261	71034	290-2952-00	5955-21-460-2522	
SO-2 (75 DEG, 6.3 VOLTS)	5955-21-460-3080	02533	290-2968-00	5955-21-460-2789	
			290-2993-00	5955-21-460-2785	
S-1 (1000 KC)	5955-21-460-2764		290-3027-00	5955-21-460-2796	
S-17T (100.036 KC)	5955-21-460-3109		290-3028-00	5955-21-460-2511	
S-17T (100.110 KC)	5955-21-460-3110		290-3035-00	5955-21-460-2521	
S-17T (99.890 KC)	5955-21-460-3112		290-3055-00	5955-21-460-2508	
S-17T (99.964 KC)	5955-21-460-3111	02533	290-3085-00	5955-21-460-2505	
TCO-14	5955-21-460-3189	71034	290-3087-00	5955-21-460-2507	
VC5-K	5955-21-460-0899		290-4732-00	5955-21-460-2484	
VC-5M	5955-21-460-0952	49671	290-4815-00	5955-21-460-2771	
VP-3	5955-21-762-0049	79066	290-4822-00	5955-21-460-2492	
VX2	5955-21-460-0895	71034	290-4823-00	5955-21-460-2781	
VX4	5955-21-460-0896	71034	290-4824-00	5955-21-460-2494	
XLS	5955-21-460-0897	79066	290-4901-00	5955-21-460-2767	
XL-1014-1	5955-21-762-0024	27876	290-4902-00	5955-21-460-2491	
XL-1014-10	5955-21-762-0032		290-4903-00	5955-21-460-2493	
XL-1014-11	5955-21-762-0033		290-4904-00	5955-21-460-2774	
XL-1014-12	5955-21-762-0034		290-4905-00	5955-21-460-2498	
XL-1014-13	5955-21-762-0035		290-5016-00	5955-21-460-2489	
XL-1014-14	5955-21-762-0036		290-5017-00	5955-21-460-2485	
XL-1014-15	5955-21-762-0037		290-5019-00	5955-21-460-2496	
XL-1014-16	5955-21-762-0038		290-5020-00	5955-21-460-2503	
XL-1014-2	5955-21-762-0025		290-5102-00	5955-21-460-2768	
XL-1014-5	5955-21-762-0028		290-5103-00	5955-21-460-2777	
XL-1014-6	5955-21-762-0029		290-5104-00	5955-21-460-2782	
XL-1014-7	5955-21-762-0030		290-5132-00	5955-21-460-2860	
XL-1014-8	5955-21-762-0031		290-5133-00	5955-21-460-2861	07 216
XL-1014-9	5955-21-762-0027		290-5430-00	E 5955-00-678-1956	13 499
XL-1014-9	5955-21-762-0048	27876	290-7540-00	E 5955-00-678-1959	13 499
Y-2	5955-21-460-2910	80211	290-7541-00	E 5955-00-678-1960	13 499
120-167	5955-21-460-2585	90073	290-7542-00	E 5955-00-678-1958	13 499
120-250	5955-21-460-2585	90073	290-7543-00	E 5955-00-678-1957	13 499
176-LRU44A	5955-21-460-3062	09172	290-7763-00	5955-21-460-2787	07 216
19A1211	5955-21-460-2061	26916	290-7770-00	5955-21-460-2513	
19A123	5955-21-460-2039	26916	290-7771-00	5955-21-460-2797	
21NA	5955-21-460-1150	64959	290-7772-00	5955-21-460-2515	
28019-1	5955-21-762-0040	96214	290-7832-00	5955-21-460-2783	
28019-2	5955-21-762-0042		290-7833-00	5955-21-460-2512	
28019-3	5955-21-762-0045		290-7834-00	5955-21-460-2514	
28019-4	5955-21-762-0046		290-7835-00	5955-21-460-2790	
2819-5	5955-21-762-0044		290-7836-00	5955-21-460-2519	
2819-6	5955-21-762-0043		290-7910-00	5955-21-460-2510	
28019-7	5955-21-762-0041	96214	290-7911-00	5955-21-460-2506	
284823	5955-21-460-2097	09706	290-7913-00	5955-21-460-2517	
290-2538-00	5955-21-460-2770	07 216	290-7914-00	5955-21-460-2524	
290-2540-00	5955-21-460-2502		290-9773-00	5955-21-460-2784	
290-2587-00	5955-21-460-2488		290-9774-00	5955-21-460-2793	
290-2623-00	5955-21-460-2495		290-9775-00	5955-21-460-2798	
290-2624-00	5955-21-460-2501		290-9807-00	5955-21-460-2862	
290-2631-00	5955-21-460-2773		290-9808-00	5955-21-460-2863	07 216
290 2654-00	5955-21-460-2769		291A-8580-00	5955-21-762-0023	13 499
290-2692-00	5955-21-460-2490		291-0004-00	5955-21-762-0039	13 499
290-2698-00	5955-21-460-2500	07 216	291-0096-00	5955-21-762-0002	13 499



RCN Catalogue of Materiel

5955

REFERENCE INFORMATION REFERENCE NUMBER INDEX

REFERENCE NO.	NATO STOCK NO.	NATOSC	REFERENCE NO.	NATO STOCK NO.	NATOSC		
291-2538-00	5955-21-460-2487	07216	291-8631-00	5955-21-762-0013	13499		
291-2673-00	5955-21-630-2486	↑	291-8632-00	5955-21-762-0014	↑		
291-2691-00	5955-21-460-2780						
291-2791-00	5955-21-460-2483						
291-2796-00	5955-21-460-2497						
291-2826-00	5955-21-460-2772						
291-2827-00	5955-21-460-2776						
291-2829-00	5955-21-460-2776						
291-2894-00	5955-21-460-2499						
291-2896-00	5955-21-460-3005						
291-2897-00	5955-21-460-2778						
291-5750-00	5955-21-460-2504						
291-5755-00	5955-21-460-2518						
291-5757-00	5955-21-460-2795						
291-5779-00	5955-21-460-2788						
291-5780-00	5955-21-460-2791	↑	291-8636-00	5955-21-762-0018	↑		
291-5782-00	5955-21-460-2792						
291-5855-00	5955-21-460-2520						
291-5858-00	5955-21-460-3006						
291-5858-00	5955-21-460-2794						
291-5893-00	5955-21-460-2786						
291-5895-00	5955-21-460-2523						
291-5938-00	5955-21-460-2509						
291-8080-00	5955-21-762-0010						
291-8084-00	5955-21-762-0008						
291-8082-00	5955-21-762-0009						
291-8086-00	5955-21-762-0007						
291-8088-00	5955-21-762-0006						
291-8090-00	5955-21-762-0005						
291-8092-00	5955-21-762-0004						
291-8094-00	5955-21-762-0003	↑	291-8637-00	5955-21-762-0019	↑		
291-8098-00	5955-21-762-0001						
291-8100-00	5955-21-762-0000						
291-8101-00	5955-21-762-0011						
219-8630-00	5955-21-762-0012						
			07216	291-8639-00		5955-21-762-0021	↑
			13499	291-8640-00		5955-21-762-0022	
				291-8661-00		5955-21-762-0023	
				291-8674-00		5955-21-762-0020	
				296-1A3075		5955-21-460-3059	
				31473-10945,000 KC		5955-21-460-2751	
				31473-11500,000 KC		5955-21-460-2752	
				31473-13510,000 KC		5955-21-460-2753	
				31473-15664,000 KC		5955-21-460-2754	
			31473-17560,000 KC	5955-21-460-2755			
			31473-24380,000 KC	5955-21-460-2756			
			31473-575-000 KC	5955-21-460-2746			
			31473-6855,000 KC	5955-21-460-2747			
			31473-7985,000 KC	5955-21-460-2748			
			31473-9043,000 KC	5955-21-460-2749			
			31473-9780,000 KC	5955-21-460-2750			
			33302B	5955-21-460-2215			
			48A801065	5955-21-460-3171			
			48B85327-101	5955-21-460-1891			
			48C85412	5955-21-460-2556			
			48C85712-101	5955-21-460-1892			
			505-0908-0004	5955-21-460-2062			
			531708	5955-21-460-3067			
			542-7288-002	E 5955-00-679-9449			
			R5955-00-129-8829	5955-21-762-0007			
			60,557	E 5955-00-679-2218			
				13499			

EQUIPMENT INDEX

EQUIPMENT	TABLE	EQUIPMENT	TABLE
AF/ICA-67 RADIO SET	127	AN/FSQ-T501 TRAINING SET	305
AN/AQS-4C SONAR	304-1	AN/GRC-27 RECEIVER	149, 151, 153
AN/ARC-ICA RECEIVER	129	AN/GRC, 27 TRANSMITTER	155, 157, 159
A/ARC-1 RECEIVER	129	AN/GRD-501 DIRECTION FINDER	161, 163, 165
AN/ARC-1A RECEIVER	129	AN/GRR-7 RECEIVER	167, 169
AN/ARC-2 RECEIVER	304	AN/GRT-3 TRANSMITTER	171, 517
AN/ARC, 27 RECEIVER	134, 134-1, 134-2	AN/SPG-48 RADAR	307
AN/ARC-3 RECEIVER	131	AN/SPM-501 CALLIBRATOR SET	173
AN/ARC-3 TRANSMITTER	133	AN/SPN-7 RADAR	175, 309
AN/ARC-502 RECEIVER	135	AN/SQS-503 SONAR	177, 179, 311, 519
AN/ARC-502 TRANSMITTER	137	AN/SRC-501 RECEIVER	181, 521
AN/ARN-21B RADIO SET	139	AN/SRC-501 TRANSMITTER	183, 523
AN/ART-13 TRANSMITTER	141	AN/SRN-6A RADIO SET	185
AN/ART-28 TRANSMITTER	304-2	AN/SRT-502 TRANSMITTER	187, 525
AN/FRT-39 TRANSMITTER	143	AN/TSM-6 TEST SET	254, 532
AN/FRT501 TRANSMITTER	145	AN/UPM-110 (MOD LA-18M)	
AN/FRT-507 TRANSMITTER	147	SPECTRUM ANALIZER	189



REFERENCE INFORMATION EQUIPMENT INDEX

EQUIPMENT	TABLE	EQUIPMENT	TABLE
AN/UPM-99 RADAR TEST SET	191	GPT-750A TRANSMITTER	359
AN/UQC-1B RADIO SET	313	GT-20LF TRANSMITTER BECON	361
AN/UQN-1B SONAR	315	GT24 TRANSMITTER	245
AN/URA-23A OSCILLATOR	193, 195, 197	HA-1 TRANSMITTER	247
AN/URC-32 RADIO SET	317	HT-11 TRANSMITTER	57, 479
AN/URD-4 DIRECTION FINDER	199, 201, 203	LCS-5 TRANSMITTER	59
AN/URG-60 RADIO SET	205	LFA ADAPTER U/W XFK	249, 251
AN/URM-25D TEST SET	207	MW FREQUENCY SHIFT KEYER U/W RATT	61
AN/URM-32 TEST SET	209	MW TRANSMITTER	63, 363, 481
AN/URM-79 FREQUENCY METER	211	MW TRANSMITTER U/W RATT	483
AN/URR-13 RECEIVER	213, 215, 527	OS-54/URN-3	253
AN/URR-21A RECEIVER	39, 463	PV500 HM SERIES TRANSMITTERS	65, 485
AN/URR-35A RECEIVER	213, 215, 527	R-570/ARW RECEIVER	254, 532
AN/URR-501A RECEIVER	319	RA17C-3 RECEIVER	365
AN/URT-17 TRANSMITTER	217, 219	RB43GAB-5-60 RECEIVER	367
AN/URT-7 TRANSMITTER	221, 529	RB43GAB-5-60 TRANSMITTER	369
AN/URW-3 TRANSMITTER	223	RCK RECEIVER	39, 463
AN/WRT-1 TRANSMITTER	225	RT43GGV TRANSMITTER	371
AR-88LF RECEIVER	321	SA-5004/FRC ELECTRONIC SWITCH	373
AT-3 TRANSMITTER	41, 465	SBE-2 MODE SELECTOR	255
BC-221 RADIO SET	323	SCR-522 RECEIVER	131, 487
CFHTRU-1BL RECEIVER	325	SCR-522 TRANSMITTER	133, 489
CFHTRU-1BL TRANSMITTER	327	SP-600 RECEIVER	375
CFMTRU RECEIVER	329	SP-600 JX RECEIVER	377
CFMTRU TRANSMITTER	331	SU RADAR	379
CGRT-1 TRANSMITTER	227, 531	SX-62 RECEIVER	381
CMFTRU-30D RECEIVER	333	SX-62A RECEIVER	383
CMFTRU-30D TRANSMITTER	335	TBS RECEIVER	491
CMFTRU-5V RECEIVER	333	TBS TRANSMITTER	493
CMFTRU-5V TRANSMITTER	335	TCS TRANSMITTER	385
CM-11A TRANSMITTER	45, 467	TDQ TRANSMITTER	67, 495
CNF-4 RADIO SET	337	TED TRANSMITTER	257, 533
CN36 RECEIVER	339	TED-3 TRANSMITTER	257, 533
CN36 TRANSMITTER	341	TE-147 TRANSMITTER	387
CPRC-26 RADIO SET	229	TE-147K TRANSMITTER	259, 261
CSR-5A RECEIVER	47, 469	TE-149 RADIO SET	389
CT-15 RADIOPHONE	343	TE-2159AL TRANSMITTER	263
CT-43GGV-5 RADIOPHONE	345	TE-2159AM TRANSMITTER	265
CU-5032/SRR ANTENNA COUPLER	347	TE-260-N TRANSMITTER	391
CV-5047/URR RADIO FREQUENCY CONVERTER	349	TE-497E FREQUENCY SHIFT KEYER U/W AT-3	69
DAS DIRECTION FINDER	351	TH-41B TRANSMITTER	267, 535
DS13-E TRANSMITTER AND MONITOR EQUIPMENT	353	TH-58 TRANSMITTER	71, 497
ET-11 TRANSMITTER	49, 471	TIS-3 TONE INTELLIGENCE GENERATOR	269
E8501B	355	TRANSMITTER BEACON	393
FR-12 (HF) TRANSMITTER	51, 473	TR5043 RECEIVER	131, 487
FR-12 (LF) TRANSMITTER	53, 475	TR5043 TRANSMITTER	133, 489
FR-5/U FREQUENCY METER	231	TS-186D/UP FREQUENCY METER	271
FR-6/U FREQUENCY METER	233	TS-251/UP TEST SET	273
FSDR-4 RECEIVER	55, 477	VARIABLE MASTER OSCILLATOR U/W CR-91	73, 505
FSE-14 FREQUENCY SHIFT EXCITER	235	VMO115 VARIABLE MASTER OSCILLATOR	395
FSE-14 OSCILLATOR U/W TE-147K	237, 410	VOX VARIABLE FREQUENCY OSCILLATOR	275
FSR-3 RECEIVER	55	XA-1-A MICROWAVE	397
FTL-14 DIRECTION FINDER	239	XB-1-A MICROWAVE	397
GFEI FIRE CONTROL	241, 243		



RCN Catalogue of Materiel

5955

REFERENCE INFORMATION EQUIPMENT INDEX

EQUIPMENT	TABLE	EQUIPMENT	TABLE
XFK FREQUENCY SHIFT KEYS	277	105 MOD 2 FREQUENCY SHIFT KEYS	
XFK FREQUENCY SHIFT KEYS		U/W CGRT-1	74
U/W AN/SRT-502	279, 281, 537	105 MOD 2 FREQUENCY SHIFT KEYS	
XFK FREQUENCY SHIFT KEYS		U/W MW	75
U/W AN/URT-17	283, 285	105 MOD 2 FREQUENCY SHIFT KEYS	
XFK FREQUENCY SHIFT KEYS		U/W PV500 HM	77, 499
U/W CGRT-1	287, 289, 539	105 MOD 2 FREQUENCY SHIFT KEYS	
XFK FREQUENCY SHIFT KEYS		U/W TH-41B	79, 501
U/W ET-11	291	105 MOD 3 FREQUENCY SHIFT MONITOR	81, 503
XFK FREQUENCY SHIFT KEYS		109 MOD 1 FREQUENCY SHIFT KEYS	83
U/W PV500 HM SERIES	293, 295, 541	12UF RECEIVER	401
XFK FREQUENCY SHIFT KEYS		18S-4/B RECEIVER	403
U/W TH-41B	297, 299, 545	18S-4/B TRANSMITTER	405
XFK FREQUENCY SHIFT KEYS		25UFS TRANSMITTER	407
U/W TH-58	301, 547	271 TWO WAY RADIO	409
XFK FREQUENCY SHIFT KEYS		86M RECEIVER	131, 487
U/W XFL	303	86M TRANSMITTER	133, 489
YE-2 BEACON	399	89M TRANSMITTER	85

NATO SUPPLY CODE

NATOSC	MANUFACTURER
02533	C R SNELGROVE AND CO
06845	BENDIX AVIATION CORP, RADIO DIVISION
07216	COLLINS RADIO CO OF CANADA LTD
09172	STANDARD TELEPHONE AND CABLES (CANADA) LTD
09706	SPERRY GYROSCOPE CO OF CANADA LTD
09712	FEDERAL ELECTRIC MFG CO (CANADA) LTD
11028	RACAL ENGINEERING LTD
13499	COLLINS RADIO CO
21964	FEDERAL TELEPHONE AND RADIO CORP
26916	HALLICRAFTERS CO
27876	HAZELTINE ELECTRONICS CORP
35084	ROYAL CANADIAN NAVY
35225	LAVOIE LABORATORIES
45413	PACKARD BELL CO
49671	RADIO CORP OF AMERICA
64959	WESTERN ELECTRIC CO
71034	BLILEY ELECTRIC CO
73035	HAMMERLUND MFG CO
74238	ROGERS MAJESTIC CORP
75378	JAMES KNIGHTS CO
76487	JAMES MILLER MFG CO
77376	PREMIER CRYSTAL LABORATORIES INC
79066	VALPEY CRYSTAL CORP
80211	MOTOROLA INC
80990	FADA RADIO AND ELECTRIC CO INC
81349	MILITARY SPECIFICATION
90073	CANADIAN MARCONI CO LTD
96214	TEXAS INSTRUMENTS INC
s3406	UNITED STATES FEDERAL STOCK NUMBER

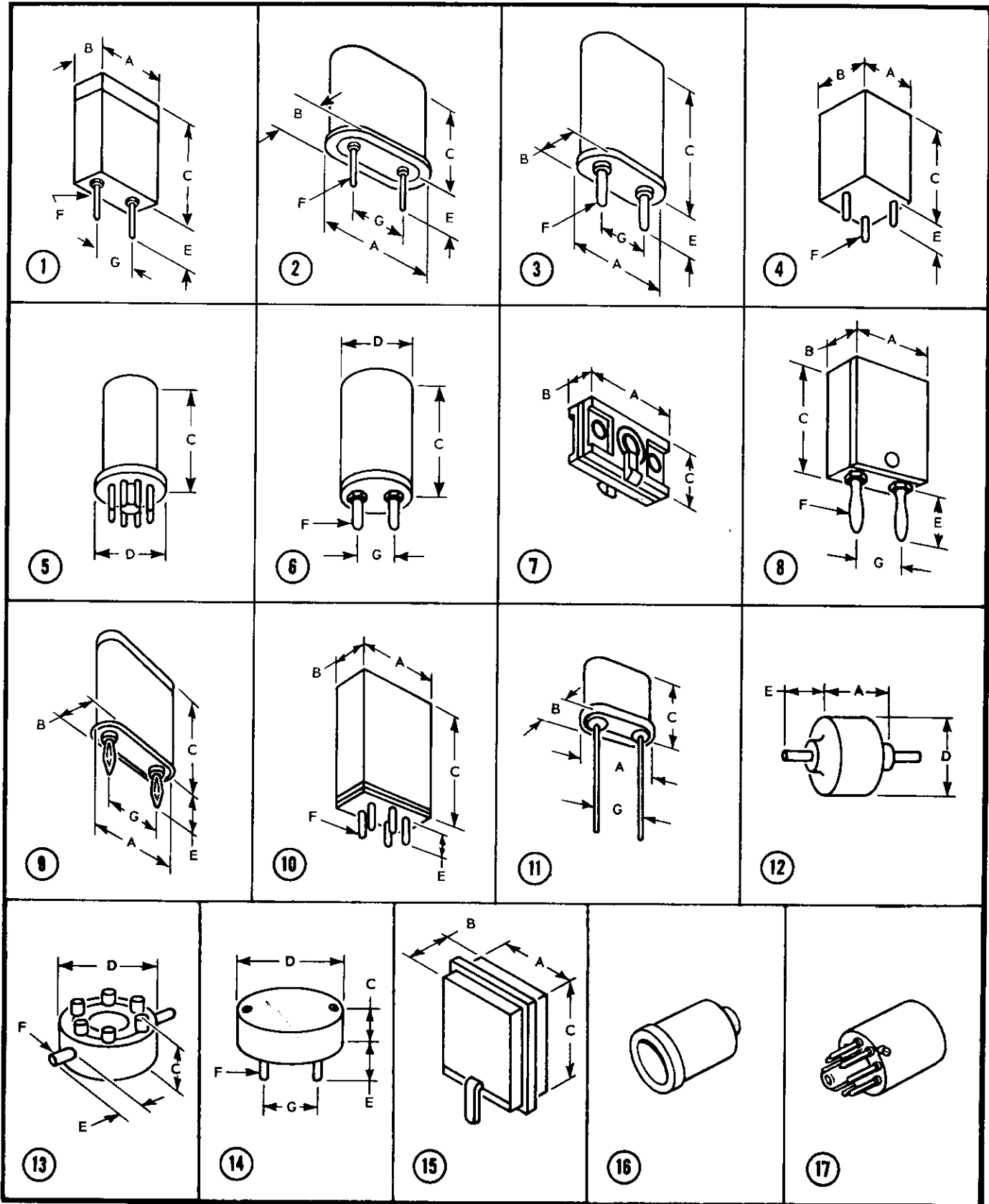
LIST OF ABBREVIATIONS

AC	ALTERNATING CURRENT
C	CENTIGRADE
CPS	CYCLES PER SECOND
DP	DEEP, DEPTH
DC	DIRECT CURRENT
DEG	DEGREES
DIA	DIAMETER
DIM	DIMENSION(S)
EXCL	EXCLUDING
FC	CHANNEL FREQUENCY
FREQ	FREQUENCY
FX	CRYSTAL FREQUENCY
HT	HEIGHT, HIGH
ILLUS	ILLUSTRATION
IN.	INCH(ES)
INCL	INCLUDING
KC	KILOCYCLES
LG	LENGTH, LONG
MAX	MAXIMUM
MC	MEGACYCLES
MIL	MILITARY
MTG	MOUNTING
NATO	NORTH ATLANTIC TREATY ORGANIZATION
NATOSC	NATO SUPPLY CODE
NO.	NUMBER(S)
O/A	OVERALL
REF	REFERENCE
SN	SEE NOTE
TEMP	TEMPERATURE
TERM	TERMINALS
THD	THREAD
THK	THICK(NESS)
TOL	TOLERANCE
V	VOLTS
W/	WITH
WD	WIDE, WIDTH

CNEL Canadian Navy Electrical Laboratories



ILLUSTRATIONS





RCN Catalogue of Materiel

TABLES 3 TO 5

CRYSTAL UNITS, QUARTZ

Table 3

CRYSTAL UNIT, QUARTZ: TYPE BY

Illustration No. 1

Dimensions: A: 1.594 B: 0.687
C: 1.718 E: 0.625
F: 0.125 G: 0.750

Spec: LC 136

NATOSC: 35084

Note: For listing by equipment and
channel frequency, see Tables 45 and 85

NATO Stock No.	Crystal Freq Kc
5955-21-460-0008	1698.00
5955-21-460-0009	1740.00
5955-21-460-1363	2000.00
5955-21-460-1364	2012.00
5955-21-460-2025	2048.00
5955-21-460-0010	2096.00
5955-21-460-2823	2097.00
5955-21-460-0011	2118.00
5955-21-460-0012	2150.00
5955-21-460-0013	2182.00
5955-21-460-0014	2196.00
5955-21-460-2041	2232.00
5955-21-460-2824	2240.00
5955-21-460-0015	2252.00
5955-21-460-2825	2261.00
5955-21-460-0016	2272.00
5955-21-460-2043	2284.00
5955-21-460-0017	2300.00
5955-21-460-2826	2311.00
5955-21-460-1365	2316.00
5955-21-460-0018	2330.00
5955-21-460-2827	2340.00
5955-21-460-3148	2366.00
5955-21-460-0020	2386.00
5955-21-460-2955	2394.00
5955-21-460-0021	2410.00
5955-21-460-2828	2431.00
5955-21-460-2829	2436.00
5955-21-460-2830	2438.00
5955-21-460-0022	2518.00
5955-21-460-2831	2554.00
5955-21-460-0945	2560.00
5955-21-460-2551	2576.00
5955-21-460-0023	2652.00
5955-21-460-0946	2660.00
5955-21-460-2832	2666.00
5955-21-460-2833	2673.00
5955-21-460-2834	2687.00
5955-21-460-0024	2716.00
5955-21-460-2956	2756.00

(continued next column)

Table 3 Type BY (Contd)

NATO Stock No.	Crystal Freq Kc
5955-21-460-0025	2768.00
5955-21-460-2042	2792.00
5955-21-460-2957	2826.00
5955-21-460-1362	2836.00
5955-21-460-0026	2844.00
5955-21-460-0029	3023.50
5955-21-460-2290	3039.00
5955-21-460-2958	3046.00
5955-21-460-2291	3053.00
5955-21-460-2045	3060.00
5955-21-460-2959	3081.00
5955-21-460-2960	3095.00
5955-21-460-2911	3106.50
5955-21-460-1890	3116.00
5955-21-460-1823	3130.00
5955-21-460-2912	3132.00
5955-21-460-1017	3133.50
5955-21-460-1824	3151.00
5955-21-460-2072	3159.00
5955-21-460-2073	3177.375
5955-21-460-2840	3172.50
5955-21-460-2547	3249.25
5955-21-460-2026	3261.00
5955-21-460-1366	3293.00
5955-21-460-2836	3319.00
5955-21-460-0032	3345.00
E 5955-21-460-3202	3346.50
5955-21-460-2525	3354.00
5955-21-460-1238	3357.75
5955-21-460-2837	3366.00
5955-21-460-1155	3372.75
5955-21-460-0950	3400.00
5955-21-460-0034	3580.00
5955-21-460-0035	3600.00
5955-21-460-1316	3736.33
5955-21-460-2838	3790.00
5955-21-460-0036	3850.00
5955-21-460-2839	3858.00
5955-21-460-2019	3992.50
5955-21-460-2913	4141.00
5955-21-460-2914	4141.33
5955-21-460-2915	4142.00
5955-21-460-2916	4176.00
5955-21-460-0961	4178.00
5955-21-460-1156	4182.00
5955-21-460-2070	4212.00
5955-21-460-2071	4236.50
5955-21-460-2009	4307.00

(continued next column)

Table 3 Type BY (Contd)

NATO Stock No.	Crystal Freq Kc
5955-21-460-2293	4496.25
5955-21-460-3064	4503.75
5955-21-460-3071	4505.75
5955-21-460-1210	4703.50
5955-21-460-2046	4738.50
5955-21-460-0951	4740.00
5955-21-460-3149	4785.00
5955-21-460-2020	4945.00
5955-21-460-2010	5172.00
5955-21-460-2011	5190.00
5955-21-460-2294	5623.50
5955-21-460-2047	5688.00
5955-21-460-1996	5703.00
5955-21-460-1889	5718.00
5955-21-460-2292	6685.00

Table 5

CRYSTAL UNIT, QUARTZ: TYPE FR

Illustration No. 1

Dimensions: A: 1.594 B: 0.687
C: 1.718 E: 0.625
F: 0.125 G: 0.750

Spec: LC 136

NATOSC: 35084

Note: For listing by equipment and
channel frequency see Table 51

NATO Stock No.	Crystal Freq Kc
5955-21-460-2739	410.000
5955-21-460-2597	1650.00
5955-21-460-1327	1698.00
5955-21-460-0134	1740.00
5955-21-460-1328	2000.00
5955-21-460-1385	2012.00
5955-21-460-1386	2096.00
5955-21-460-0135	2118.00
5955-21-460-1387	2150.00
5955-21-460-0136	2182.00
5955-21-460-1388	2196.00
5955-21-460-2650	2206.00
5955-21-460-1389	2252.00
5955-21-460-1390	2272.00
5955-21-460-0137	2300.00
5955-21-460-1131	2316.00
5955-21-460-3114	2318.00
5955-21-460-1391	2330.00
5955-21-460-3043	2366.00

(continued next column)



RCN Catalogue of Materiel

5955

CRYSTAL UNITS, QUARTZ

Table 5 Type FR (Contd)

NATO Stock No.	Crystal Freq Kc
5955-21-460-1392	2386.00
5955-21-460-0139	2410.00
5955-21-460-1329	2518.00
5955-21-460-1393	2652.00
5955-21-460-0140	2716.00
5955-21-460-1394	2836.00
5955-21-460-0141	2844.00
5955-21-460-1395	3293.00

Table 7

CRYSTAL UNIT, QUARTZ: TYPE F5

Illustration No. 1

Dimensions: A: 1.594 B: 0.687
C: 1.718 E: 0.625
F: 0.125 G: 0.750

Spec: LC 136

NATOSC: 35084

Note: For listing by equipment and channel frequency see Table 53

NATO Stock No.	Crystal Freq Kc
5955-21-460-0143	425.000
5955-21-460-0144	500.000
5955-21-460-2579	1630.00

Table 9

CRYSTAL UNIT, QUARTZ: TYPE GR

Illustration No. 1

Dimensions: A: 1.594 B: 0.687
C: 1.718 E: 0.625
F: 0.125 G: 0.750

Spec: LC 136

NATOSC: 35084

Note: For listing by equipment and channel frequency see Table 47

NATO Stock No.	Crystal Freq Kc
5955-21-460-2649	575.000
5955-21-460-2228	648.600
5955-21-460-0917	708.150
5955-21-460-1234	2448.50
5955-21-460-1825	2576.00
5955-21-460-2012	2686.00
5955-21-460-2229	2819.00
5955-21-460-1993	3015.00
5955-21-460-1233	3275.00
5955-21-460-1165	3696.00
5955-21-460-3044	3711.00

(continued next column)

Table 9 Type GR (Contd)

NATO Stock No.	Crystal Freq Kc
5955-21-460-1159	3732.00
5955-21-460-3045	3957.50
5955-21-460-1166	3983.50
5955-21-460-1219	3995.50
5955-21-460-1162	4019.50
5955-21-460-2023	4452.50
5955-21-460-2230	4522.00
5955-21-460-2013	4597.00
5955-21-460-2014	4615.00
5955-21-460-2024	4657.50
5955-21-460-3046	5501.40
5955-21-460-1168	5503.00
5955-21-460-1160	5551.00
5955-21-460-0152	5661.66
5955-21-460-3047	5825.50
5955-21-460-3098	5850.00
5955-21-460-2595	5870.25
5955-21-460-1167	6119.00
5955-21-460-3048	6159.50
5955-21-460-1147	6173.00
5955-21-460-2021	6225.00
5955-21-460-2231	6467.50
5955-21-460-1230	7291.33
5955-21-460-1229	7351.33
5955-21-460-2022	7410.00
5955-21-460-1235	7789.00

Table 11

CRYSTAL UNIT, QUARTZ: TYPE HR

Illustration No. 1

Dimensions: A: 1.594 B: 0.687
C: 1.718 E: 0.625
F: 0.125 G: 0.750

Spec: LC 136

NATOSC: 35084

Note: For listing by equipment and channel frequency see Table 73

NATO Stock No.	Crystal Freq Kc
5955-21-460-1404	2049.88
5955-21-460-1405	2062.50
5955-21-460-1406	2064.38
5955-21-460-1407	2064.50
5955-21-460-1408	2085.00
5955-21-460-1409	2123.75
5955-21-460-1410	2227.38
5955-21-460-1411	2231.25
5955-21-460-1412	2245.38

(continued next column)

Table 11 Type HR (Contd)

NATO Stock No.	Crystal Freq Kc
5955-21-460-1413	2278.12
5955-21-460-1414	2319.25
5955-21-460-1415	2337.25
5955-21-460-1417	2365.00
5955-21-460-1418	2447.50
5955-21-460-1419	2488.75
5955-21-460-1420	2503.00
5955-21-460-1421	2521.00
5955-21-460-1422	2533.12
5955-21-460-1423	2610.00
5955-21-460-1424	2628.75
5955-21-460-1425	2652.50
5955-21-460-1426	2815.62
5955-21-460-1427	2898.00
5955-21-460-1428	2920.00
5955-21-460-1429	2920.50
5955-21-460-1430	2936.25
5955-21-460-1431	3073.75
5955-21-460-1432	3085.00
5955-21-460-1433	3387.00
5955-21-460-1434	3414.00
5955-21-460-1435	3509.12
5955-21-460-1436	3529.75
5955-21-460-1437	3561.25
5955-21-460-1438	3580.00
5955-21-460-1440	3767.50

Table 13

CRYSTAL UNIT, QUARTZ: TYPE HT

Spec: LC 136

NATOSC: 35084

Note: For listing by equipment and channel frequency see Table 57

NATO Stock No.	Crystal Freq Kc
5955-21-460-2015	1740.00
5955-21-460-2016	2410.00
5955-21-460-2017	2716.00



RCN Catalogue of Materiel

5955

TABLES 5 TO 17

CRYSTAL UNITS, QUARTZ

Table 15

CRYSTAL UNIT, QUARTZ: TYPE JR Illustration No. 1

Dimensions: A: 1.594 B: 0.687
C: 1.718 E: 0.625
F: 0.125 G: 0.750

Spec: LC 136

NATOSC: 35084

Note: For listing by equipment and
channel frequency see Table 71

NATO Stock No.	Crystal Freq Kc
5955-21-460-1727	1512.19
5955-21-460-2032	1592.25
5955-21-460-2803	1598.375
5955-21-460-2031	1624.625
5955-21-460-1710	1662.50
5955-21-460-0957	1676.56
5955-21-460-2566	1738.75
5955-21-460-2030	2123.00
5955-21-460-2804	2138.50
5955-21-460-1728	2211.25
5955-21-460-2102	2260.937
5955-21-460-1106	2285.00
5955-21-460-1726	2351.25
5955-21-460-1443	2892.50

Table 17

CRYSTAL UNIT, QUARTZ: TYPE KM Illustration No. 14

Dimensions: C: 0.625 D: 1.375
E: 0.625 F: 0.125
G: 0.750

Spec: LC 136

NATOSC: 35084

Note: For listing by equipment and
channel frequency see Table 65

NATO Stock No.	Crystal Freq Kc
5955-21-460-2018	2048.00
5955-21-460-1190	2844.00
5955-21-460-1444	3023.00
5955-21-460-2917	3106.50
5955-21-460-1445	3116.00
5955-21-460-1955	3130.00
5955-21-460-2918	3132.00
5955-21-460-1015	3133.50
5955-21-460-1817	3159.00
5955-21-460-2851	3172.50
5955-21-460-1818	3177.38
5955-21-460-0921	3193.25
5955-21-460-0922	3196.75

(continued next column)

Table 17 Type KM (Contd)

NATO Stock No.	Crystal Freq Kc
5955-21-460-0924	3212.50
5955-21-460-0926	3224.75
5955-21-460-0927	3249.25
5955-21-460-1446	3261.00
5955-21-460-1697	3287.00
5955-21-460-2477	3293.00
5955-21-460-1708	3325.00
5955-21-460-1997	3342.50
5955-21-460-1157	3372.75
5955-21-460-1448	3394.00
5955-21-460-0261	3400.00
5955-21-460-1449	3674.17
5955-21-460-2536	3690.00
5955-21-460-0265	3757.50
5955-21-460-0266	3833.33
5955-21-460-2537	3890.83
5955-21-460-0267	3992.50
5955-21-460-1170	4000.00
5955-21-460-1450	4005.00
5955-21-460-1805	4040.00
5955-21-460-0268	4052.50
5955-21-460-0269	4095.00
5955-21-460-2919	4141.00
5955-21-460-2920	4141.33
5955-21-460-2921	4142.00
5955-21-460-2922	4176.00
5955-21-460-0960	4178.00
5955-21-460-1158	4182.00
5955-21-460-1815	4212.00
5955-21-460-1816	4236.50
5955-21-460-0929	4271.00
5955-21-460-0930	4277.00
5955-21-460-0931	4283.00
5955-21-460-0932	4307.00
5955-21-460-0933	4328.00
5955-21-460-0934	4331.00
5955-21-460-0283	4503.33
5955-21-460-3066	4503.75
5955-21-460-3072	4505.75
5955-21-460-2170	4522.33
5955-21-460-0285	4527.50
5955-21-460-0286	4570.00
5955-21-460-1864	4608.00
5955-21-460-1452	4702.50
5955-21-460-0287	4740.00
5955-21-460-0288	4850.00
5955-21-460-0289	4886.67
5955-21-460-0290	4890.00

(continued next column)

Table 17 Type KM (Contd)

NATO Stock No.	Crystal Freq Kc
5955-21-460-0291	4945.00
5955-21-460-2538	4946.25
5955-21-460-1453	5006.25
5955-21-460-3073	5012.00
5955-21-460-0292	5053.75
5955-21-460-2552	5137.50
5955-21-460-0293	5172.00
5955-21-460-0294	5190.00
5955-21-460-1454	5221.33
5955-21-460-2540	5330.00
5955-21-460-0296	5335.00
5955-21-460-1455	5340.00
5955-21-460-0297	5435.00
5955-21-460-2553	5448.33
5955-21-460-0298	5472.50
5955-21-460-2923	5521.33
5955-21-460-2924	5525.50
5955-21-460-2925	5554.25
5955-21-460-1242	5556.25
5955-21-460-2926	5568.00
5955-21-460-1016	5570.67
5955-21-460-1457	5612.25
5955-21-460-1260	5613.75
5955-21-460-1819	5616.00
5955-21-460-1458	5633.25
5955-21-460-2478	5646.75
5955-21-460-1191	5657.25
5955-21-460-1459	5661.33
5955-21-460-1018	5694.67
5955-21-460-1019	5702.67
5955-21-460-1998	5703.00
5955-21-460-0936	5710.67
5955-21-460-1460	5718.00
5955-21-460-1461	5735.00
5955-21-460-0937	5739.47
5955-21-460-1020	5742.67
5955-21-460-0307	5781.25
5955-21-460-1694	5785.00
5955-21-460-0308	5853.33
5955-21-460-1462	5896.67
5955-21-460-2053	5948.00
5955-21-460-2236	6171.25
5955-21-460-2237	6195.00
5955-21-460-2927	6276.25



CRYSTAL UNITS, QUARTZ

Table 19

CRYSTAL UNIT, QUARTZ: TYPE MK

Illustration No. 1

Dimensions: A: 0.812 B: 0.438
C: 1.172 E: 0.400
F: 0.093 G: 0.486

Spec: LC 136

NATOSC: 35084

Note: For listing by equipment and
channel frequency see Tables 74, 75,
77 and 79

NATO Stock No.	Crystal Freq Kc
5955-21-460-2029	2272.50
5955-21-460-1785	2536.25
5955-21-460-0908	2546.00
5955-21-460-2028	2548.50
5955-21-460-0314	2667.50
5955-21-460-1786	2675.00
5955-21-460-0315	2726.67
5955-21-460-1787	2839.375
5955-21-460-0317	2933.33
5955-21-460-1778	2959.00
5955-21-460-1779	2977.375
5955-21-460-1788	3003.25
5955-21-460-1463	3012.50
5955-21-460-1789	3030.25
5955-21-460-1148	3061.00
5955-21-460-1696	3087.00
5955-21-460-1791	3146.00
5955-21-460-0319	3169.17
5955-21-460-1792	3177.50
5955-21-460-1793	3194.00
5955-21-460-1465	3200.00
5955-21-460-1920	3227.50
5955-21-460-2567	3277.50
5955-21-460-1921	3427.50
5955-21-460-1794	3465.00
5955-21-460-0909	3474.17
5955-21-460-1795	3541.50
5955-21-460-0321	3557.50
5955-21-460-1796	3571.50
5955-21-460-0322	3633.33
5955-21-460-0323	3654.17
5955-21-460-1797	3716.00
5955-21-460-1798	3801.25
5955-21-460-0326	3852.50
5955-21-460-0328	3895.00
5955-21-460-1780	4012.00
5955-21-460-1781	4036.50
5955-21-460-1466	4071.00
5955-21-460-1468	4107.00
5955-21-460-1799	4190.00

(continued next column)

Table 19 Type MK (Contd)

NATO Stock No.	Crystal Freq Kc
5955-21-470-0910	4261.00
5955-21-460-0336	4303.33
5955-21-460-0338	4327.50
5955-21-460-0339	4370.00
5955-21-460-1801	4500.00
5955-21-460-1126	4540.00
5955-21-460-0340	4650.00
5955-21-460-0341	4686.67
5955-21-460-0342	4690.00
5955-21-460-1470	4745.00
5955-21-460-1471	4853.75
5955-21-460-1472	4972.00
5955-21-460-1149	4990.00
5955-21-460-1473	5021.33
5955-21-460-0344	5135.00
5955-21-460-0346	5272.50
5955-21-460-1474	5412.25
5955-21-460-1475	5457.25
5955-21-460-1476	5461.33
5955-21-460-1477	5494.66
5955-21-460-1479	5542.66

Table 21

CRYSTAL UNIT, QUARTZ: TYPE MW

Illustration No. 10

Dimensions: A: 1.562 B: 1.188
C: 2.156 E: 0.562
F: 0.125

Spec: LC 136

NATOSC: 35084

Note: For listing by equipment and
channel frequency see Tables 61 and 63

NATO Stock No.	Crystal Freq Kc
5955-21-460-2568	1522.50
5955-21-460-1712	1662.50
5955-21-460-1172	1715.00
5955-21-460-2086	2020.00
5955-21-460-1893	2022.50
5955-21-460-2479	2138.50
5955-21-460-2202	2285.00
5955-21-460-1481	2892.50
5955-21-460-1482	2957.50
5955-21-460-2580	2974.00
5955-21-460-2542	2977.50
5955-21-460-2545	3010.00
5955-21-460-2480	3196.75
5955-21-460-2203	3400.00
5955-21-460-2569	3477.50

(continued next column)

Table 21 Type MW (Contd)

NATO Stock No.	Crystal Freq Kc
5955-21-460-2577	3690.00
5955-21-460-2588	3832.50
5955-21-460-2570	4000.21
5955-21-460-0350	4005.00
5955-21-460-2087	4015.00
5955-21-460-2481	4277.00
5955-21-460-2204	4608.00
5955-21-460-2589	4681.50
5955-21-460-2571	5000.21
5955-21-460-2235	5781.50
5955-21-460-2088	5797.50
5955-21-460-2575	5836.25
5955-21-460-2590	5839.50
5955-21-460-0352	6007.50
5955-21-460-2546	6012.50
5955-21-460-0353	6048.75
5955-21-460-2205	6706.25
5955-21-460-2591	6783.50
5955-21-460-2089	7907.50
5955-21-460-0355	7995.00
5955-21-460-0356	8010.00
5955-21-460-0357	8845.00
5955-21-460-2543	9005.00
5955-21-460-2206	9043.75
5955-21-460-2090	9830.00
5955-21-460-2576	9892.50
5955-21-460-2544	10007.5
5955-21-460-0358	10012.5

Table 23

CRYSTAL UNIT, QUARTZ: TYPE NK

Illustration No. 1

Dimensions: A: 0.182 B: 0.438
C: 1.172 E: 0.400
F: 0.093 G: 0.486

Spec: LC 136

NATOSC: 35084

Note: For listing by equipment and
channel frequency see Table 49

NATO Stock No.	Crystal Freq Kc
5955-21-460-1711	3325.00
5955-21-460-1486	4570.00
5955-21-460-1487	5785.00
5955-21-460-0360	5915.00
5955-21-460-2572	6955.00
5955-21-460-2083	7380.00
5955-21-460-2207	7665.00

(continued next column)



CRYSTAL UNITS, QUARTZ

Table 23 Type NK (Contd)

Nato Stock No.	Crystal Freq Kc
5955-21-460-1488	8010.00
5955-21-460-2208	9363.00
5955-21-460-1489	9405.00
5955-21-460-2084	11672.5
5955-21-460-2209	11679.0
5955-21-460-1490	12015.0
5955-21-460-0363	12097.5
5955-21-460-1491	13412.5
5955-21-460-2210	13567.0
5955-21-460-0365	15990.0
5955-21-460-1492	16020.0
5955-21-460-0366	17690.0
5955-21-460-1493	18087.5
5955-21-460-2085	19785.0
5955-21-460-1494	20025.0

Table 25

CRYSTAL UNIT, QUARTZ: TYPE OK
Illustration No. 1

Dimensions: A: 0.812 B: 0.438
C: 1.172 E: 0.400
F: 0.093 G: 0.486

Spec: LC136

NATOSC: 35084

Note: For listing by equipment and
channel frequency see Table 67

NATO Stock No.	Crystal Freq Mc
5955-21-460-0367	12.9000
5955-21-460-1322	13.0200
5955-21-460-0368	13.1000
5955-21-460-1940	13.1889
5955-21-460-1206	13.2333
5955-21-460-0369	13.2600
5955-21-460-1207	13.2777
5955-21-460-1495	13.3000
5955-21-460-0370	13.5000
5955-21-460-3232	13.5111
5955-21-460-0901	13.5444
5955-21-460-0371	13.5800
5955-21-460-2852	13.6777
5955-21-460-0372	13.7800
5955-21-460-0373	14.0200
5955-21-460-2761	14.0222
5955-21-460-0374	14.3000
5955-21-460-1051	14.3800
5955-21-460-1497	14.7000
5955-21-460-2295	14.9000

(continued next column)

Table 25 Type OK (Contd)

NATO Stock No.	Crystal Freq Mc
5955-21-460-0375	14.9600
5955-21-460-1802	15.0600
5955-21-460-0972	15.1000
5955-21-460-1504	15.2400
5955-21-460-0902	15.3000
5955-21-460-0969	15.3200
5955-21-460-1211	15.4200
5955-21-460-1843	15.4400
5955-21-460-0376	15.6200
5955-21-460-0377	15.6800
5955-21-460-1844	15.7400
5955-21-460-0378	15.7800
5955-21-460-0379	15.8600
5955-21-460-0380	15.9200
5955-21-460-0381	15.9600
5955-21-460-1509	16.2000
5955-21-460-2048	16.8289
5955-21-460-1511	17.0922
5955-21-460-1512	17.1522
5955-21-460-1513	17.2367
5955-21-460-1695	17.2967

Table 27

CRYSTAL UNIT, QUARTZ: TYPE PK
Illustration No. 1

Dimensions: A: 0.812 B: 0.438
C: 1.172 E: 0.400
F: 0.093 G: 0.486

Spec: LC136

NATOSC: 35084

Note: For listing by equipment and
channel frequency see Table 39

NATO Stock No.	Crystal Freq Mc
5955-21-460-0386	14.2333
5955-21-460-1250	14.3533
5955-21-460-0387	14.4333
5955-21-460-1939	14.5222
5955-21-460-1208	14.5667
5955-21-460-0388	14.5933
5955-21-460-1209	14.6111
5955-21-460-1514	14.6333
5955-21-460-0389	14.8333
5955-21-460-3233	14.8444
5955-21-460-0904	14.8778
5955-21-460-0390	14.9133
5955-21-460-2529	15.0111
5955-21-460-0391	15.1133
5955-21-460-0392	15.3533

(continued next column)

Table 27 Type PK (Contd)

NATO Stock No.	Crystal Freq Mc
5955-21-460-2762	15.3555
5955-21-460-0393	15.6333
5955-21-460-1052	15.7133
5955-21-460-1515	16.0333
5955-21-460-2296	16.2333
5955-21-460-0394	16.2933
5955-21-460-1803	16.3933
5955-21-460-0966	16.4333
5955-21-460-0905	16.6333
5955-21-460-0963	16.6533
5955-21-460-1213	16.7533
5955-21-460-1841	16.7733
5955-21-460-0395	16.9533
5955-21-460-0396	17.0133
5955-21-460-1842	17.0733
5955-21-460-0397	17.1133
5955-21-460-0398	17.1933
5955-21-460-0399	17.2533
5955-21-460-0400	17.2933
5955-21-460-1248	17.5333
5955-21-460-2049	18.1622
5955-21-460-1527	18.4256
5955-21-460-1528	18.4856
5955-21-460-1529	18.5700
5955-21-460-1530	18.6400

Table 29

CRYSTAL UNIT, QUARTZ: TYPE QK
Illustration No. 1

Dimensions: A: 0.812 B: 0.438
C: 1.172 E: 0.400
F: 0.093 G: 0.486

Spec: LC136

NATOSC: 35084

Note: For listing by equipment and
channel frequency see Table 81

NATO Stock No.	Crystal Freq Kc
5955-21-460-0405	115.300
5955-21-460-0406	133.150
5955-21-460-1531	2746.00
5955-21-460-1534	3212.50
5955-21-460-1536	3261.00

(continued next column)



CRYSTAL UNITS, QUARTZ

Table 29 Type QK (Contd)

NATO Stock No.	Crystal Freq Kc
5955-21-460-1537	3394.00
5955-21-460-0409	3400.00
5955-21-460-0411	3757.50
5950-21-460-0412	3802.50
5955-21-460-0414	3992.50
5955-21-460-0415	4052.50
5955-21-460-0416	4095.00
5955-21-460-1538	4271.00
5955-21-460-1152	4307.00
5955-21-460-1542	4461.33
5955-21-460-0432	4485.00
5955-21-460-0433	4503.33
5955-21-460-0435	4527.50
5955-21-460-0436	4546.25
5955-21-460-0437	4570.00
5955-21-460-1543	4610.00
5955-21-460-0438	4700.00
5955-21-460-1544	4740.00
5955-21-460-0440	4850.00
5955-21-460-0442	4882.50
5955-21-460-0443	4886.67
5955-21-460-0444	4890.00
5955-21-460-0445	4945.00
5955-21-460-0447	5053.75
5955-21-460-1545	5172.00
5955-21-460-1546	5190.00
5955-21-460-1547	5221.33
5955-21-460-0449	5260.00
5955-21-460-0450	5335.00
5955-21-460-1548	5418.33
5955-21-460-0451	5435.00
5955-21-460-1549	5447.50
5955-21-460-1550	5467.60
5955-21-460-0452	5472.50
5955-21-460-0455	5505.00
5955-21-460-1551	5612.25
5955-21-460-1554	5657.25
5955-21-460-1556	5694.67
5955-21-460-0459	5735.00
5955-21-460-1559	5742.67
5955-21-460-0460	5750.00
5955-21-460-0461	5780.00
5955-21-460-0462	5781.25
5955-21-460-0463	5830.00
5955-21-460-0464	5853.33

Table 31

CRYSTAL UNIT, QUARTZ: TYPE R J
Illustration No. 4
Dimensions: A: 1.562 B: 1.187
C: 2.156 E: 0.562
F: 0.125
Spec: LC136
NATOSC: 35084
Note: For listing by equipment and channel frequency see Tables 41 and 69

NATO Stock No.	Crystal Freq Kc
5955-21-460-3230	2586.00
5955-21-460-1096	2660.00
5955-21-460-0466	2717.50
5955-21-460-3199	2774.00
5955-21-460-2288	2844.00
5955-21-460-1560	2851.50
5955-21-460-1562	2892.50
5955-21-460-1563	3023.50
5955-21-460-2284	3039.00
5955-21-460-2285	3053.00
5955-21-460-3143	3194.00
5955-21-460-2806	3196.75
5955-21-460-2541	3249.25
5955-21-460-3231	3261.00
5955-21-460-2289	3293.00
5955-21-460-1709	3325.00
5955-21-460-1566	3342.50
5955-21-460-1570	3394.00
5955-21-460-2150	3400.00
5955-21-460-3101	3477.50
5955-21-460-2287	3749.00
5955-21-460-3102	3832.50
5955-21-460-3104	3893.00
5955-21-460-1572	4005.00
5955-21-460-1573	4032.50
5955-21-460-0479	4095.00
5955-21-460-2805	4277.00
5955-21-460-1574	4461.33
5955-21-460-2052	4470.83
5955-21-460-2286	4496.25
5955-21-460-2531	4504.75
5955-21-460-3105	4522.33
5955-21-460-1575	4570.00
5955-21-460-2051	4608.00
5955-21-460-1576	4610.00
5955-21-460-3103	4681.50
5955-21-460-1577	4702.50
5955-21-460-1579	5340.00
5955-21-460-1580	5896.67
5955-21-460-3106	6029.17
5955-21-460-1582	6675.00

Table 33

CRYSTAL UNIT, QUARTZ: TYPE S K
Illustration No. 1
Dimensions: A: 1.594 B: 0.687
C: 1.718 E: 0.625
F: 0.125 G: 0.750
Spec: LC136
NATOSC: 35084
Note: For listing by equipment and channel frequency see Table 83

NATO Stock No.	Crystal Freq Kc
5955-21-460-1883	2073.60
5955-21-460-1884	2096.05
5955-21-460-1583	2106.20
5955-21-460-0482	2115.30
5955-21-460-0483	2133.15
5955-21-460-1885	2148.55

Table 35

CRYSTAL UNIT, QUARTZ: TYPE T E
Illustration No. 10
Dimensions: A: 1.562 B: 1.188
C: 2.156 E: 0.562
F: 0.125
Spec: LC136
NATOSC: 35084
Note: For listing by equipment and channel frequency see Table 55

NATO Stock No.	Crystal Freq Kc
5955-21-460-1178	3201.00
5955-21-460-1179	3849.00
5955-21-460-0486	3985.00
5955-21-460-0487	4030.00
5955-21-460-1804	4220.00
5955-21-460-0489	4322.50
5955-21-460-1180	4755.00
5955-21-460-1186	4837.50
5955-21-460-0491	4940.00
5955-21-460-0492	5025.00
5955-21-460-0493	5117.50
5955-21-460-0495	5305.00
5955-21-460-1181	5373.00
5955-21-460-0497	5411.67
5955-21-460-1923	5464.00
5955-21-460-1584	5570.00
5955-21-460-1182	5700.00
5955-21-460-0499	5732.50
5955-21-460-0907	5890.00
5955-21-460-0500	5981.67
5955-21-460-0502	6007.50

(continued next column)



RCN Catalogue of Materiel

5955

TABLES 29 TO 41

CRYSTAL UNITS, QUARTZ

Table 35 Type T E (Contd)

NATO Stock No.	Crystal Freq Kc
5955-21-460-2539	6023.34
5955-21-460-1183	6190.00
5955-21-460-0504	6213.33
5955-21-460-0505	6661.67
5955-21-460-1014	6919.50
5955-21-460-2584	6957.50
5955-21-460-2578	6973.50
5955-21-460-0507	6982.50
5955-21-460-3205	7120.00
5955-21-460-0508	7255.00
5955-21-460-1585	7415.00

Table 37

CRYSTAL UNIT, QUARTZ: TYPE V A
Illustration No. 9

Dimensions: A: 1.594 B: 1.188
C: 2.051 E: 0.781
G: 1.312

Spec: LC136

NATOSC: 35084

Note: For listing by equipment and channel frequency see Table 59

NATO Stock No.	Crystal Freq Kc
5955-21-460-0547	106.200
5955-21-460-0548	115.300
5955-21-460-0549	133.150

Table 39

CRYSTAL UNIT, QUARTZ: TYPE P K
Illustration No. 1

Formula: $fx = fc + 12$
9

Use: AN/URR-21A and RCK Receivers

Spec: LC136

NATOSC: 35084

NATO Stock No.	Channel Freq Mc	Crystal Freq Mc
5955-21-460-0386	116.10	14.2333
5955-21-460-1250	117.18	14.3533
5955-21-460-0387	117.90	14.4333
5955-21-460-1939	118.70	14.5222
5955-21-460-1208	119.10	14.5667
5955-21-460-0388	119.34	14.5933
5955-21-460-1209	119.50	14.6111
5955-21-460-1514	119.70	14.6333
5955-21-460-0389	121.50	14.8333
5955-21-460-3233	121.60	14.8444

(continued next column)

Table 39 Type P K (Contd)

NATO Stock No.	Channel Freq Mc	Crystal Freq Mc
5955-21-460-0904	121.90	14.8778
5955-21-460-0390	122.22	14.9133
5955-21-460-2529	123.10	15.0111
5955-21-460-0391	124.02	15.1133
5955-21-460-0392	126.18	15.3533
5955-21-460-2762	126.20	15.3555
5955-21-460-0393	128.70	15.6533
5955-21-460-1052	129.42	15.7133
5955-21-460-1515	132.30	16.0333
5955-21-460-2296	134.10	16.2333
5955-21-460-0394	134.64	16.2933
5955-21-460-1803	135.54	16.3933
5955-21-460-0966	135.90	16.4333
5955-21-460-0905	137.70	16.6333
5955-21-460-0963	137.88	16.6533
5955-21-460-1213	138.78	16.7533
5955-21-460-1841	138.98	16.7733
5955-21-460-0395	140.58	16.9533
5955-21-460-0396	141.12	17.0133
5955-21-460-1842	141.66	17.0733
5955-21-460-0397	142.02	17.1133
5955-21-460-0398	142.74	17.1933
5955-21-460-0399	143.28	17.2533
5955-21-460-0400	143.64	17.2933
5955-21-460-1248	145.80	17.5333
5955-21-460-2049	151.46	18.1622
5955-21-460-1527	153.83	18.4256
5955-21-460-1527	153.83	18.4256
5955-21-460-1528	154.37	18.4856
5955-21-460-1529	155.13	18.5700
5955-21-460-1530	155.67	18.6400

Table 41

CRYSTAL UNIT, QUARTZ: TYPE R J
Illustration No. 4

Formula: 2.5 to 5.0 Mc $fx = fc$
5.0 to 10.0 Mc $fx = fc$
2
10.0 to 20.0 Mc $fx = fc$
3

Use: AT-3 Transmitter

Spec: LC136

NATOSC: 35084

NATO Stock No.	Channel Freq Kc	Crystal Freq Kc
5955-21-460-2285	3053	3053.00
5955-21-460-1096	2660	2660.00
5955-21-460-2288	2844	2844.00
5955-21-460-1563	3023.5	3023.50
5955-21-460-2284	3039	3039.00

(continued next column)



RCN Catalogue of Materiel

5955

CRYSTAL UNITS, QUARTZ

Table 41 Type RJ (Contd)

NATO Stock No.	Channel Freq Kc	Crystal Freq Kc
5955-21-460-3231	3261	3261.00
5955-21-460-2289	3293	3293.00
5955-21-460-1709	3325	3325.00
5955-21-460-1570	3394	3394.00
5955-21-460-1572	4005	4005.00
5955-21-460-2805	4277	4277.00
5955-21-460-1575	4570	4570.00
5955-21-460-3230	5172	2586.00
5955-21-460-0466	5435	2717.50
5955-21-460-1560	5703	2851.50
5955-21-460-1562	5785	2892.50
5955-21-460-2806	6393.5	3196.75
5955-21-460-2541	6498.5	3249.25
5955-21-460-1566	6685	3342.50
5955-21-460-2050	6800	3400.00
5955-21-460-3101	6955	3477.50
5955-21-460-3102	7665	3832.50
5955-21-460-1572	8010	4005.00
5955-21-460-0479	8190	4095.00
5955-21-460-2805	8554	4277.00
5955-21-460-2286	8992.5	4496.25
5955-21-460-2531	9009.5	4504.75
5955-21-460-2051	9216	4608.00
5955-21-460-1576	9220	4610.00
5955-21-460-3103	9363	4681.50
5955-21-460-1577	9405	4702.50
5955-21-460-2287	11247	3749.00
5955-21-460-3104	11679	3893.00
5955-21-460-1572	12015	4005.00
5955-21-460-1573	12097.5	4032.50
5955-21-460-1574	13384	4461.33
5955-21-460-2052	13412.5	4470.83
5955-21-460-3105	13567	4522.33
5955-21-460-1579	16020	5340.00
5955-21-460-1580	17690	5896.67
5955-21-460-3106	18087.5	6029.17
5955-21-460-1582	20025	6675.00

Table 45 Type BY (Contd)

NATO Stock No.	Channel Freq Kc	Crystal Freq Kc
5955-21-460-1363	2000	2000.00
5955-21-460-1364	2012	2012.00
5955-21-460-2025	2048	2048.00
5955-21-460-0010	2096	2096.00
5955-21-460-2823	2097	2097.00
5955-21-460-0011	2118	2118.00
5955-21-460-0012	2150	2150.00
5955-21-460-0013	2182	2182.00
5955-21-460-0014	2196	2196.00
5955-21-460-2041	2232	2232.00
5955-21-460-2824	2240	2240.00
5955-21-460-0015	2252	2252.00
5955-21-460-2825	2261	2261.00
5955-21-460-0016	2272	2272.00
5955-21-460-2043	2284	2284.00
5955-21-460-0017	2300	2300.00
5955-21-460-2826	2311	2311.00
5955-21-460-1365	2316	2316.00
5955-21-460-0018	2330	2330.00
5955-21-460-2827	2340	2340.00
5955-21-460-3148	2366	2366.00
5955-21-460-0020	2386	2386.00
5955-21-460-2955	2394	2394.00
5955-21-460-0021	2410	2410.00
5955-21-460-2828	2431	2431.00
5955-21-460-2829	2436	2436.00
5955-21-460-2830	2438	2438.00
5955-21-460-0022	2518	2518.00
5955-21-460-2831	2554	2554.00
5955-21-460-0945	2560	2560.00
5955-21-460-2551	2576	2576.00
5955-21-460-0023	2652	2652.00
5955-21-460-0946	2660	2660.00
5955-21-460-2832	2666	2666.00
5955-21-460-2833	2673	2673.00
5955-21-460-2834	2687	2687.00
5955-21-460-0024	2716	2716.00
5955-21-460-2956	2756	2756.00
5955-21-460-0025	2768	2768.00
5955-21-460-2042	2792	2792.00
5955-21-460-2957	2826	2826.00
5955-21-460-1362	2836	2836.00
5955-21-460-0026	2844	2844.00
5955-21-460-0029	3023.5	3023.50
5955-21-460-2958	3046	3046.00
5955-21-460-2291	3053	3053.00
5955-21-460-2045	3060	3060.00
5955-21-460-2959	3081	3081.00

Table 45

CRYSTAL UNIT, QUARTZ: TYPE BY

Illustration No. 1

Formula: 1.5 to 6.0 Mc $f_x = f_c$
 6.0 to 11.0 Mc $f_x = f_c$
 2
 11.0 to 13.0 Mc $f_x = f_c$
 3

Use: CM-11A Transmitter

Spec: LC 136

NATOSC: 35084

NATO Stock No.	Channel Freq Kc	Crystal Freq Kc
5955-21-460-0008	1698	1698.00
5955-21-460-0009	1740	1740.00

(continued next column)

NATO Stock No.	Channel Freq Kc	Crystal Freq Kc
5955-21-460-0029	3023.5	3023.50
5955-21-460-2958	3046	3046.00
5955-21-460-2291	3053	3053.00
5955-21-460-2045	3060	3060.00
5955-21-460-2959	3081	3081.00

(continued next column)



RCN Catalogue of Materiel

5955

TABLES 41 TO 47

CRYSTAL UNITS, QUARTZ

Table 45 Type B Y (Contd)

NATO Stock No.	Channel Freq Kc	Crystal Freq Kc
5955-21-460-2960	3095	3095.00
5955-21-460-1890	3116	3116.00
5955-21-460-1823	3130	3130.00
5955-21-460-1017	3133.5	3133.50
5955-21-460-1824	3151	3151.00
5955-21-460-2026	3261	3261.00
5955-21-460-1366	3293	3293.00
5955-21-460-2836	3319	3319.00
5955-21-460-0032	3345	3345.00
5955-21-460-2525	3354	3354.00
5955-21-460-2837	3366	3366.00
5955-21-460-0034	3580	3580.00
5955-21-460-0035	3600	3600.00
5955-21-460-2838	3790	3790.00
5955-21-460-0036	3850	3850.00
5955-21-460-2839	3858	3858.00
5955-21-460-2915	4142	4142.00
5955-21-460-2916	4176	4176.00
5955-21-460-0961	4178	4178.00
5955-21-460-2070	4212	4212.00
5955-21-460-2071	4236.5	4236.50
5955-21-460-200	4307	4307.00
5955-21-460-1210	4703.5	4703.50
5955-21-460-2046	4738.5	4738.50
5955-21-460-3149	4785	4785.00
5955-21-460-2010	5172	5172.00
5955-21-460-2011	5190	5190.00
5955-21-460-2047	5688	5688.00
5955-21-460-1996	5703	5703.00
5955-21-460-1889	5718	5718.00
5955-21-460-2911	6213	3106.50
5955-21-460-2912	6264	3132.00
5955-21-460-1017	6267	3133.50
5955-21-460-2072	6318	3159.00
5955-21-460-2840	6345	3172.50
5955-21-460-2073	6354.75	3177.375
5955-21-460-2547	6498.5	3249.25
5955-21-460-3202	6693	3346.50
5955-21-460-2525	6708	3354.00
5955-21-460-1238	6718.5	3357.75
5955-21-460-1155	6745.5	3372.75
5955-21-460-0950	6800	3400.00
5955-21-460-2019	7985	3992.50
5955-21-460-2913	8282	4141.00
5955-21-460-2916	8352	4176.00
5955-21-460-0961	8356	4178.00
5955-21-460-1156	8364	4182.00
5955-21-460-2070	8424	4212.00

(continued next column)

Table 45 Type B Y (Contd)

NATO Stock No.	Channel Freq Kc	Crystal Freq Kc
5955-21-460-2071	8473	4236.50
5955-21-460-3064	9007.5	4503.75
5955-21-460-3071	9011.5	4505.75
5955-21-460-0951	9480	4740.00
5955-21-460-2020	9890	4945.00
5955-21-460-1316	11209	3736.33
5955-21-460-2914	12424	4141.33
5955-21-460-2916	12528	4176.00
5955-21-460-0961	12534	4178.00
5955-21-460-2070	12636	4212.00
5955-21-460-2071	12709.5	4236.50

Table 47

CRYSTAL UNIT, QUARTZ: TYPE GR

Illustration No. 1

Formula:

79 to 518 Kc	$fx = fc + 575$
1.5 to 3.0 Mc	$fx = fc + 575$
3.0 to 8.5 Mc	$fx = fc - 575$
8.5 to 16.5 Mc	$fx = fc - 575$
	2
16.5 to 24.5 Mc	$fx = fc - 575$
	3
24.5 to 30.0 Mc	$fx = fc - 575$
	4

Use: CSR-5A Receiver
Spec: LC 136
NATOSC: 35084

NATO Stock No.	Channel Freq Kc	Crystal Freq Kc
5955-21-460-2649		575.000
5955-21-460-2228	73.6	648.600
5955-21-460-0917	133.15	708.150
5955-21-460-1234	3023.5	2448.50
5955-21-460-1825	3151	2576.00
5955-21-460-2012	3261	2686.00
5955-21-460-2229	3394	2819.00
5955-21-460-1993	3590	3015.00
5955-21-460-1233	3850	3275.00
5955-21-460-1165	4271	3696.00
5955-21-460-3044	4286	3711.00
5955-21-460-1159	4307	3732.00
5955-21-460-2230	5097	4522.00
5955-21-460-2013	5172	4597.00
5955-21-460-2014	5190	4615.00
5955-21-460-3047	6400.5	5825.50
5955-21-460-3098	6425	5850.00
5955-21-460-2595	6445.25	5870.25
5955-21-460-2021	6800	6225.00
5955-21-460-2022	7985	7410.00

(continued next column)



CRYSTAL UNITS, QUARTZ

Table 47 Type GR (Contd)

NATO Stock No.	Channel Freq Kc	Crystal Freq Kc
5955-21-460-1235	8364	7789.00
5955-21-460-3045	8490	3957.50
5955-21-460-1166	8542	3983.50
5955-21-460-1219	8566	3995.50
5955-21-460-1162	8614	4019.50
5955-21-460-2023	9480	4452.50
5955-21-460-2024	9890	4657.50
5955-21-460-1167	12813	6119.00
5955-21-460-3048	12894	6159.50
5955-21-460-1147	12921	6173.00
5955-21-460-2231	13510	6467.50
5955-21-460-3046	17079.2	5501.40
5955-21-460-1168	17084	5503.00
5955-21-460-1160	17228	5551.00
5955-21-460-0152	17560	5661.66
5955-21-460-1230	22449	7291.33
5955-21-460-1229	22629	7351.33

Table 49

CRYSTAL UNIT, QUARTZ: TYPE NK

Illustration No. 1

Formula: $fx = fc$

Use: ET-11 Transmitter

Spec: LC 136

NATOSC: 35084

NATO Stock No.	Channel Freq Kc	Crystal Freq Kc
5955-21-460-1711	3325	3325.00
5955-21-460-1486	4570	4570.00
5955-21-460-1487	5785	5785.00
5955-21-460-0360	5915	5915.00
5955-21-460-2572	6955	6955.00
5955-21-460-2083	7380	7380.00
5955-21-460-2207	7665	7665.00
5955-21-460-1488	8010	8010.00
5955-21-460-2208	9363	9363.00
5955-21-460-1489	9405	9405.00
5955-21-460-2084	11672.5	11672.5
5955-21-460-2209	11679	11679.0
5955-21-460-1490	12015	12015.0
5955-21-460-0363	12097.5	12097.5
5955-21-460-1491	13412.5	13412.5
5955-21-460-2210	13567	13567.0
5955-21-460-0365	15990	15990.0
5955-21-460-1492	16020	16020.0
5955-21-460-0366	17690	17690.0
5955-21-460-1493	18087.5	18087.5
5955-21-460-2085	19785	19785.0
5955-21-460-1494	20025	20025.0

Table 51

CRYSTAL UNIT, QUARTZ: TYPE FR

Illustration No. 1

Formula: $fx = fc$

Use: FR-12 (HF) Transmitter

Spec: LC 136

NATOSC: 35084

NATO Stock No.	Channel Freq Kc	Crystal Freq Kc
5955-21-460-2739	410	410.000
5955-21-460-2597	1650	1650.00
5955-21-460-1327	1698	1698.00
5955-21-460-0134	1740	1740.00
5955-21-460-1328	2000	2000.00
5955-21-460-1385	2012	2012.00
5955-21-460-1386	2096	2096.00
5955-21-460-0135	2118	2118.00
5955-21-460-1387	2150	2150.00
5955-21-460-0136	2182	2182.00
5955-21-460-1388	2196	2196.00
5955-21-460-2650	2206	2206.00
5955-21-460-1389	2252	2252.00
5955-21-460-1390	2272	2272.00
5955-21-460-0137	2300	2300.00
5955-21-460-1131	2316	2316.00
5955-21-460-3114	2318	2318.00
5955-21-460-1391	2330	2330.00
5955-21-460-3043	2366	2366.00
5955-21-460-1392	2386	2386.00
5955-21-460-0139	2410	2410.00
5955-21-460-1329	2518	2518.00
5955-21-460-1393	2652	2652.00
5955-21-460-0140	2716	2716.00
5955-21-460-1394	2836	2836.00
5955-21-460-0141	2844	2844.00
5955-21-460-1395	3293	3293.00

Table 53

CRYSTAL UNIT, QUARTZ: TYPE FS

Illustration No. 1

Formula: $fx = fc$

Use: FR-12 (LF) Transmitter

Spec: LC 136

NATOSC: 35084

NATO Stock No.	Channel Freq Kc	Crystal Freq Kc
5955-21-460-0143	425	425.000
5955-21-460-0144	500	500.000
5955-21-460-2579	1630	1630.00



RCN Catalogue of Materiel

5955

TABLES 47 TO 63

CRYSTAL UNITS, QUARTZ

Table 55

CRYSTAL UNIT, QUARTZ: TYPE TE

Illustration No. 10

Formula: 1.8 to 7.5 Mc $fx = fc + 455$
 7.5 to 14.5 Mc $fx = fc + 455$
 2
 14.5 to 22.0 Mc $fx = fc + 455$
 3

Use: FSDR-4 and FSR-3 Receivers
 Spec: LC 136
 NATOSC: 35084

NATO Stock No.	Channel Freq Kc	Crystal Freq Kc
5955-21-460-1178	2746	3201.00
5955-21-460-1179	3394	3849.00
5955-21-460-0491	4485	4940.00
5955-21-460-0492	4570	5025.00
5955-21-460-0495	4850	5305.00
5955-21-460-0907	5435	5890.00
5955-21-460-1183	5735	6190.00
5955-21-460-0508	6800	7255.00
5955-21-460-0486	7515	3985.00
5955-21-460-0487	7605	4030.00
5955-21-460-1804	7985	4220.00
5955-21-460-0489	8190	4322.50
5955-21-460-1180	9055	4755.00
5955-21-460-1186	9220	4837.50
5955-21-460-0493	9780	5117.50
5955-21-460-1182	10945	5700.00
5955-21-460-0499	11010	5732.50
5955-21-460-0502	11560	6007.50
5955-21-460-1014	13384	6919.50
5955-21-460-2578	13492	6973.50
5955-21-460-0507	13510	6982.50
5955-21-460-2584	14370	6957.50
5955-21-460-1181	15664	5373.00
5955-21-460-0497	15780	5411.67
5955-21-460-1923	15937	5454.00
5955-21-460-1584	16255	5570.00
5955-21-460-0500	17490	5981.67
5955-21-460-2539	17615	6023.34
5955-21-460-0504	18185	6213.33
5955-21-460-0505	19530	6661.67
5955-21-460-3205	20905	7120.00
5955-21-460-1585	21790	7415.00

Table 57

CRYSTAL UNIT, QUARTZ: TYPE HT

Formula: $fx = fc$

Use: HT-11 Transmitter

Spec: LC 136

NATOSC: 35084

NATO Stock No.	Channel Freq Kc	Crystal Freq Kc
5955-21-460-2015	1740	1740.00
5955-21-460-2016	2410	2410.00
5955-21-460-2017	2716	2716.00

Table 59

CRYSTAL UNIT, QUARTZ: TYPE VA

Illustration No. 9

Formula: $fx = fc$

Use: LCS-5 Transmitter

Spec: LC 136

NATOSC: 35084

NATO Stock No.	Channel Freq Kc	Crystal Freq Kc
5955-21-460-0547	106.2	106.200
5955-21-460-0548	115.3	115.300
5955-21-460-0549	133.15	133.150

Table 61

CRYSTAL UNIT, QUARTZ: TYPE MW

Illustration No. 10

Formula: See Handbook

Use: MW Frequency Shift Keyer n/w RATT

Spec: LC 136

NATOSC: 35084

NATO Stock No.	Channel Freq Kc	Crystal Freq Kc
5955-21-460-2570	4000	4000.21
5955-21-460-2542	4045	2977.50
5955-21-460-1172	4570	1715.00
5955-21-460-2571	5000	5000.21
5955-21-460-2568	6955	1522.50
5955-21-460-2543	8010	9005.00
5955-21-460-2544	12015	10007.5
5955-21-460-2545	16020	3010.00
5955-21-460-2546	20025	6012.50

Table 63

CRYSTAL UNIT, QUARTZ: TYPE MW

Illustration No. 10

Formula: $fx = fc$

2

Use: MW Transmitter

Spec: LC 136

NATOSC: 35084

NATO Stock No.	Channel Freq Kc	Crystal Freq Kc
5955-21-460-1712	3325	1662.50
5955-21-460-2086	4040	2020.00
5955-21-460-1893	4045	2022.50
5955-21-460-2479	4277	2138.50
5955-21-460-2202	4570	2285.00
5955-21-460-1481	5785	2892.50
5955-21-460-1482	5915	2957.50

(continued next column)



CRYSTAL UNITS, QUARTZ

Table 63 Type MW (Contd)

NATO Stock No.	Channel Freq Kc	Crystal Freq Kc
5955-21-460-2580	5948	2974.00
5955-21-460-2480	6393.5	3196.75
5955-21-460-2203	6800	3400.00
5955-21-460-2569	6955	3477.50
5955-21-460-2577	7380	3690.00
5955-21-460-2588	7665	3832.50
5955-21-460-0350	8010	4005.00
5955-21-460-2087	8030	4015.00
5955-21-460-2481	8554	4277.00
5955-21-460-2204	9216	4608.00
5955-21-460-2589	9263	4681.50
5955-21-460-2235	11563	5781.50
5955-21-460-2088	11595	5797.50
5955-21-460-2575	11672.5	5836.25
5955-21-460-2590	11679	5839.50
5955-21-460-0352	12015	6007.50
5955-21-460-0353	12097.5	6048.75
5955-21-460-2205	13412.5	6706.25
5955-21-460-2591	13567	6783.50
5955-21-460-2089	15815	7907.50
5955-21-460-0355	15990	7995.00
5955-21-460-0356	16020	8010.00
5955-21-460-0357	17690	8845.00
5955-21-460-2206	18087.5	9043.75
5955-21-460-2090	19660	9830.00
5955-21-460-2576	19785	9892.50
5955-21-460-0358	20025	10012.5

Table 65 Type KM (Contd)

NATO Stock No.	Channel Freq Kc	Crystal Freq Kc
5955-21-460-1446	3261	3261.00
5955-21-460-1697	3287	3287.00
5955-21-460-2477	3293	3293.00
5955-21-460-1708	3325	3325.00
5955-21-460-1448	3394	3394.00
5955-21-460-1450	4005	4005.00
5955-21-460-1805	4040	4040.00
5955-21-460-2921	4142	4142.00
5955-21-460-2922	4176	4176.00
5955-21-460-0960	4178	4178.00
5955-21-460-1815	4212	4212.00
5955-21-460-0929	4271	4271.00
5955-21-460-0930	4277	4277.00
5955-21-460-0931	4283	4283.00
5955-21-460-0932	4307	4307.00
5955-21-460-0286	4570	4570.00
5955-21-460-0288	4850	4850.00
5955-21-460-0293	5172	5172.00
5955-21-460-0294	5190	5190.00
5955-21-460-0297	5435	5435.00
5955-21-460-1998	5703	5703.00
5955-21-460-1460	5718	5718.00
5955-21-460-1461	5735	5735.00
5955-21-460-1694	5785	5785.00
5955-21-460-2053	5948	5948.00
5955-21-460-2917	6213	3106.50
5955-21-460-2918	6264	3132.00
5955-21-460-1015	6267	3133.50
5955-21-460-1817	6318	3159.00
5955-21-460-2851	6345	3172.50
5955-21-460-1818	6354.75	3177.38
5955-21-460-0921	6386.5	3193.25
5955-21-460-0922	6393.5	3196.75
5955-21-460-0924	6425	3212.50
5955-21-460-0926	6449.5	3224.75
5955-21-460-0927	6498.5	3249.25
5955-21-460-1997	6685	3342.50
5955-21-460-1157	6745.5	3372.75
5955-21-460-0261	6800	3400.00
5955-21-460-2536	7380	3690.00
5955-21-460-0265	7515	3757.50
5955-21-460-1462	7690	5896.67
5955-21-460-0267	7985	3992.50
5955-21-460-1170	9000	4000.00
5955-21-460-1450	8010	4005.00
5955-21-460-0269	8190	4095.00
5955-21-460-2919	8282	4141.00
5955-21-460-2922	8352	4176.00
5955-21-460-0960	8356	4178.00
5955-21-460-1158	8364	4182.00

Table 65

CRYSTAL UNIT, QUARTZ: TYPE KM

Illustration No. 14

Formula: 3.0 to 6.0 Mc $fx = fc$
 6.0 to 11.0 Mc $fx = fc$
 2
 11.0 to 19.0 Mc $fx = fc$
 3
 19.0 to 28.0 Mc $fx = fc$
 4

(HM2 and 3 only)

Use: PV500HM Series Transmitters

Spec: LC 136

NATOSC: 35084

NATO Stock No.	Channel Freq Kc	Crystal Freq Kc
5955-21-460-2018	2048	2048.00
5955-21-460-1190	2844	2844.00
5955-21-460-1444	3023	3023.00
5955-21-460-1445	3116	3116.00
5955-21-460-1955	3130	3130.00

(continued next column)

(continued next column)



RCN Catalogue of Materiel

5955

TABLES 63 TO 67

CRYSTAL UNITS, QUARTZ

Table 65 Type KM (Contd)

NATO Stock No.	Channel Freq Kc	Crystal Freq Kc
5955-21-460-1815	8424	4212.00
5955-21-460-1816	8473	4236.50
5955-21-460-0929	8542	4271.00
5955-21-460-0930	8554	4277.00
5955-21-460-0931	8566	4283.00
5955-21-460-0932	8614	4307.00
5955-21-460-0934	8662	4331.00
5955-21-460-3066	9007.5	4503.75
5955-21-460-3072	9011.5	4505.75
5955-21-460-0285	9055	4527.50
5955-21-460-1864	9216	4608.00
5955-21-460-1452	9405	4702.50
5955-21-460-0287	9480	4740.00
5955-21-460-0290	9780	4890.00
5955-21-460-0291	9890	4945.00
5955-21-460-2552	10275	5137.50
5955-21-460-0298	10945	5472.50
5955-21-460-1449	11022.5	3674.17
5955-21-460-0266	11500	3833.33
5955-21-460-2537	11672.5	3890.83
5955-21-460-1450	12015	4005.00
5955-21-460-0268	12157.5	4052.50
5955-21-460-2920	12424	4141.33
5955-21-460-2918	12528	3132.00
5955-21-460-2922	12528	4176.00
5955-21-460-0960	12534	4178.00
5955-21-460-1815	12636	4212.00
5955-21-460-1816	12709.5	4236.50
5955-21-460-0929	12813	4271.00
5955-21-460-0930	12831	4277.00
5955-21-460-0931	12849	4283.00
5955-21-460-0932	12921	4307.00
5955-21-460-0933	12984	4328.00
5955-21-460-0283	13510	4503.33
5955-21-460-2170	13567	4522.33
5955-21-460-0289	14660	4886.67
5955-21-460-3073	15036	5012.00
5955-21-460-1454	15664	5221.33
5955-21-460-2540	15990	5330.00
5955-21-460-0296	16005	5335.00
5955-21-460-1455	16020	5340.00
5955-21-460-2553	16345	5448.33
5955-21-460-2923	16564	5521.33
5955-21-460-2922	16704	4176.00
5955-21-460-2926	16704	5568.00
5955-21-460-1016	16712	5570.67
5955-21-460-1819	16848	5616.00

(continued next column)

Table 65 Type KM (Contd)

NATO Stock No.	Channel Freq Kc	Crystal Freq Kc
5955-21-460-1459	16984	5661.33
5955-21-460-1018	17084	5694.67
5955-21-460-1019	17108	5702.67
5955-21-460-0936	17132	5710.67
5955-21-460-0937	17218.4	5739.47
5955-21-460-1020	17228	5742.67
5955-21-460-0308	17560	5853.33
5955-21-460-2538	19785	4946.25
5955-21-460-1453	20025	5006.25
5955-21-460-0292	20215	5053.75
5955-21-460-2924	22102	5525.50
5955-21-460-2925	22217	5554.25
5955-21-460-1242	22225	5556.25
5955-21-460-1457	22449	5612.25
5955-21-460-1260	22455	5613.75
5955-21-460-1458	22533	5633.25
5955-21-460-2478	22587	5646.75
5955-21-460-1191	22629	5657.25
5955-21-460-0307	23125	5781.25
5955-21-460-2236	24685	6171.25
5955-21-460-2237	24780	6195.00
5955-21-460-2927	25105	6276.25

Table 67

CRYSTAL UNIT, QUARTZ: TYPE OK

Illustration No. 1

Formula: $f_x = f_c$
9

Use: TDQ Transmitter

Spec: LC136

NATOSC: 35084

NATO Stock No.	Channel Freq Mc	Crystal Freq Mc
5955-21-460-0367	116.10	12.9000
5955-21-460-1322	117.18	13.0200
5955-21-460-0368	117.90	13.1000
5955-21-460-1940	118.70	13.1889
5955-21-460-1206	119.10	13.2333
5955-21-460-0369	119.34	13.2600
5955-21-460-1207	119.50	13.2777
5955-21-460-1495	119.70	13.3000
5955-21-460-0370	121.50	13.5000
5955-21-460-3232	121.60	13.5111
5955-21-460-0901	121.90	13.5444
5955-21-460-0371	122.22	13.5800
5955-21-460-2852	123.10	13.6777
5955-21-460-0372	124.02	13.7800
5955-21-460-0373	126.18	14.0200

(continued next column)



CRYSTAL UNITS, QUARTZ

Table 67 Type OK (Contd)

NATO Stock No.	Channel Freq Mc	Crystal Freq Mc
5955-21-460-2761	126.20	14.0222
5955-21-460-0374	128.70	14.3000
5955-21-460-1051	129.42	14.3800
5955-21-460-1497	132.30	14.7000
5955-21-460-2295	134.10	14.9000
5955-21-460-0375	134.64	14.9600
5955-21-460-1802	135.54	15.0600
5955-21-460-0972	135.90	15.1000
5955-21-460-1504	137.16	15.2400
5955-21-460-0902	137.70	15.3000
5955-21-460-0969	137.88	15.3200
5955-21-460-1211	138.78	15.4200
5955-21-460-1843	138.96	15.4400
5955-21-460-0376	140.58	15.6200
5955-21-460-0377	141.12	15.6800
5955-21-460-1844	141.66	15.7400
5955-21-460-0378	142.02	15.7800
5955-21-460-0379	142.74	15.8600
5955-21-460-0380	143.28	15.9200
5955-21-460-0381	143.64	15.9600
5955-21-460-1509	145.80	16.2000
5955-21-460-2048	151.46	16.8289
5955-21-460-1511	153.83	17.0922
5955-21-460-1512	154.37	17.1522
5955-21-460-1513	155.13	17.2367
5955-21-460-1695	155.67	17.2967

Table 69

CRYSTAL UNIT, QUARTZ: TYPE RJ

Illustration No. 4

Use: TE-497E Frequency Shift Keyer u/w AT-3

Spec: LC 136

NATOSC: 35084

NATO Stock No.	Channel Freq Kc	Crystal Freq Kc
5955-21-460-3143	3394	3194.00
5955-21-460-3199	5948	2774.00

Table 71

CRYSTAL UNIT, QUARTZ: TYPE JR

Illustration No. 1

Formula:	fx = fc
1.5 to 3.0 Mc	fx = fc
3.0 to 6.0 Mc	2
6.0 to 12.0 Mc	4
12.0 to 28.0 Mc	8

Use: TH-58 Transmitter

Spec: LC 136

NATOSC: 35084

NATO Stock No.	Channel Freq Kc	Crystal Freq Kc
5955-21-460-1710	3325	1662.50
5955-21-460-2030	4246	2123.00
5955-21-460-1106	4570	2285.00
5955-21-460-1443	5785	2892.50
5955-21-460-2803	6393.5	1598.375
5955-21-460-2031	6498.5	1624.625
5955-21-460-2566	6955	1738.75
5955-21-460-2030	8492	2123.00
5955-21-460-2804	8554	2138.50
5955-21-460-1726	9405	2351.25
5955-21-460-1727	12097.5	1512.19
5955-21-460-2032	12738	1592.25
5955-21-460-0957	13412.5	1676.56
5955-21-460-2030	16984	2123.00
5955-21-460-1728	17690	2211.25
5955-21-460-2102	18087.5	2260.937

Table 73

CRYSTAL UNIT, QUARTZ: TYPE HR

Illustration No. 1

Formula:	fx = fc + 735
2.000 to 3.265 Mc	fx = fc + 735
3.265 to 7.265 Mc	2
7.265 to 15.265 Mc	4
15.265 to 31.265 Mc	8

Use: Variable Master Oscillator u/w CR-91 Receiver

Spec: LC 136

NATOSC: 35084

NATO Stock No.	Channel Freq Kc	Crystal Freq Kc
5955-21-460-1407	3394	2064.50
5955-21-460-1420	4271	2503.00
5955-21-460-1421	4307	2521.00
5955-21-460-1423	4485	2610.00
5955-21-460-1425	4570	2652.50

(continued next column)



RCN Catalogue of Materiel

TABLES 67 TO 77

CRYSTAL UNITS, QUARTZ

Table 73 Type HR (Contd)

NATO Stock No.	Channel Freq Kc	Crystal Freq Kc
5955-21-460-1432	5435	3085.00
5955-21-460-1438	6425	3580.00
5955-21-460-1440	6800	3767.50
5955-21-460-1405	7515	2062.50
5955-21-460-1408	7605	2085.00
5955-21-460-1411	8190	2231.25
5955-21-460-1414	8542	2319.25
5955-21-460-1415	8614	2337.25
5955-21-460-1413	9055	2447.50
5955-21-460-1419	9220	2488.75
5955-21-460-1424	9780	2628.75
5955-21-460-1428	10945	2920.00
5955-21-460-1430	11010	2936.25
5955-21-460-1431	11560	3073.75
5955-21-460-1433	12813	3387.00
5955-21-460-1434	12921	3414.00
5955-21-460-1436	13384	3529.75
5955-21-460-1437	13510	3561.25
5955-21-460-1404	15664	2049.88
5955-21-460-1406	15780	2064.38
5955-21-460-1409	16255	2123.75
5955-21-460-1410	17084	2227.38
5955-21-460-1412	17228	2245.38
5955-21-460-1413	17490	2278.12
5955-21-460-1417	18185	2365.00
5955-21-460-1422	19530	2533.12
5955-21-460-1426	21790	2815.62
5955-21-460-1427	22449	2898.00
5955-21-460-1429	22629	2920.50
5955-21-460-1435	27338	3509.12

Table 74

CRYSTAL UNIT, QUARTZ: TYPE MK

Illustration No. 1

Formula: $f_x = f_c - 200$

N

Use: 105 Mod 2 Frequency Shift Keyer u/w CGRT-1

Spec: LC136

NATOSC: 35084

NATO Stock No.	Channel Freq Kc	Crystal Freq Kc
5955-21-460-2028	5097	2548.50
5955-21-460-2029	9890	2272.50

Table 75

CRYSTAL UNIT, QUARTZ: TYPE MK

Illustration No. 1

Use: 105 Mode 2 Frequency Shift Keyer u/w MW Transmitter

Spec: LC136

NATOSC: 35084

NATO Stock No.	Channel Freq Kc	Crystal Freq Kc
5955-21-460-2567	6955	3277.50

Table 77

CRYSTAL UNIT, QUARTZ: TYPE MK

Illustration No. 1

Formula: $f_x = f_c - 200$

N

Use: 105 Mod 2 Frequency Shift Keyer u/w PV500HM

Series Transmitters

Spec: LC136

NATOSC: 35084

NATO Stock No.	Channel Freq Kc	Crystal Freq Kc
5955-21-460-1148	3261	3061.00
5955-21-460-1696	3287	3087.00
5955-21-460-1780	4212	4012.00
5955-21-460-1781	4236.5	4036.50
5955-21-460-1466	4271	4071.00
5955-21-460-1468	4307	4107.00
5955-21-460-0339	4570	4370.00
5955-21-460-1126	4740	4540.00
5955-21-460-0340	4850	4650.00
5955-21-460-1472	5172	4972.00
5955-21-460-1149	5190	4990.00
5955-21-460-0314	5735	2667.50
5955-21-460-1778	6318	2959.00
5955-21-460-1779	6354.75	2977.375
5955-21-460-1463	6425	3012.50
5955-21-460-1465	6800	3200.00
5955-21-460-1920	6855	3227.50
5955-21-460-1921	6855	3427.50
5955-21-460-0321	7515	3557.50
5955-21-460-0328	8190	3895.00
5955-21-460-1780	8424	4012.00
5955-21-460-1781	8473	4036.50
5955-21-460-1466	8542	4071.00
5955-21-460-1468	8614	4107.00
5955-21-460-0338	9055	4327.50
5955-21-460-0342	9780	4690.00
5955-21-460-1470	9890	4745.00
5955-21-460-0346	10945	5272.50
5955-21-460-0909	11022.5	3474.17
5955-21-460-0322	11500	3633.33

(continued next column)



CRYSTAL UNITS, QUARTZ

Table 77 Type MK (Contd)

NATO Stock No.	Channel Freq Kc	Crystal Freq Kc
5955-21-460-0326	12157.5	3852.50
5955-21-460-1780	12636	4012.00
5955-21-460-1781	12709.5	4036.50
5955-21-460-1466	12813	4071.00
5955-21-460-1468	12921	4107.00
5955-21-460-0910	13384	4261.00
5955-21-460-0336	13510	4303.33
5955-21-460-0341	14660	4686.67
5955-21-460-1473	15664	5021.33
5955-21-460-0344	16005	5135.00
5955-21-460-1476	16984	5461.33
5955-21-460-1477	17084	5494.66
5955-21-460-1479	17228	5542.66
5955-21-460-0315	17560	2726.67
5955-21-460-0317	18800	2933.33
5955-21-460-1471	20215	4853.75
5955-21-460-1474	22449	5412.25
5955-21-460-1475	22629	5457.25

Table 79 Type MK (Contd)

NATO Stock No.	Channel Freq Kc	Crystal Freq Kc
5955-21-460-1792	13510	3177.50
5955-21-460-1794	14660	3465.00
5955-21-460-1797	15664	3716.00
5955-21-460-1798	16005	3801.25
5955-21-460-1466	17084	4071.00
5955-21-460-1468	17228	4107.00
5955-21-460-1799	17560	4190.00
5955-21-460-1801	18890	4500.00
5955-21-460-0319	20215	3169.17
5955-21-460-1795	22449	3541.50
5955-21-460-1796	22629	3571.50
5955-21-460-0323	23125	3654.17

Table 81

CRYSTAL UNIT, QUARTZ: TYPE QK Illustration No. 1

Formula: $f_x = f_c$

2.5 to 6.0 Mc	$f_x = f_c$
6.0 to 12.0 Mc	$f_x = f_c$
17.0 to 18.0 Mc	$f_x = f_c$
18.0 to 24.0 Mc	$f_x = f_c$
24.0 to 30.0 Mc	$f_x = f_c$

Use: Type 106 Mod 3 Frequency Shift Monitor

Spec: LC 136

NATOSC: 35084

Table 79

CRYSTAL UNIT, QUARTZ: TYPE MK

Illustration No. 1

Formula: $f_x = f_c - 200$

N

Use: 105 Mod 2 Frequency Shift Keyer u/w TH-41B

Transmitter

Spec: LC 136

NATOSC: 35084

NATO Stock No.	Channel Freq Kc	Crystal Freq Kc
5955-21-460-0908	2746	2546.00
5955-21-460-1696	3287	3087.00
5955-21-460-1793	3394	3194.00
5955-21-460-0340	4850	4650.00
5955-21-460-0314	5735	2667.50
5955-21-460-1463	6425	3012.50
5955-21-460-1465	6800	3200.00
5955-21-460-0321	7515	3557.50
5955-21-460-0338	9055	4327.50
5955-21-460-0342	9780	4690.00
5955-21-460-1470	9890	4745.00
5955-21-460-1785	10945	2536.25
5955-21-460-1786	11500	2675.00
5955-21-460-1787	12157.5	2839.375
5955-21-460-1788	12813	3003.25
5955-21-460-1789	12921	3030.25
5955-21-460-1791	13384	3146.00

(continued next column)

NATO Stock No.	Channel Freq Kc	Crystal Freq Kc
5955-21-460-0405	115.3	115.300
5955-21-460-0406	133.15	133.150
5955-21-460-1531	2746	2746.00
5955-21-460-1536	3261	3261.00
5955-21-460-1537	3394	3394.00
5955-21-460-1538	4271	4271.00
5955-21-460-1152	4307	4307.00
5955-21-460-0432	4485	4485.00
5955-21-460-0437	4570	4570.00
5955-21-460-0440	4850	4850.00
5955-21-460-1545	5172	5172.00
5955-21-460-1546	5190	5190.00
5955-21-460-0451	5435	5435.00
5955-21-460-0459	5735	5735.00
5955-21-460-1534	6425	3212.50
5955-21-460-0409	6800	3400.00
5955-21-460-0411	7515	3757.50
5955-21-460-0412	7605	3802.50

(continued next column)



CRYSTAL UNITS, QUARTZ

Table 81 Type QK (Contd)

NATO Stock No.	Channel Freq Kc	Crystal Freq Kc
5955-21-460-0414	7985	3992.50
5955-21-460-0416	8190	4095.00
5955-21-460-1538	8542	4271.00
5955-21-460-1152	8614	4307.00
5955-21-460-0435	9055	4527.50
5955-21-460-1543	9220	4610.00
5955-21-460-1544	9480	4740.00
5955-21-460-0444	9780	4890.00
5955-21-460-0445	9890	4945.00
5955-21-460-0452	10945	5472.50
5955-21-460-0455	11010	5505.00
5955-21-460-0460	11500	5750.00
5955-21-460-0461	11560	5780.00
5955-21-460-0415	12157.5	4052.50
5955-21-460-1538	12813	4271.00
5955-21-460-1152	12921	4307.00
5955-21-460-1542	13384	4461.33
5955-21-460-0433	13510	4503.33
5955-21-460-0443	14660	4886.67
5955-21-460-1547	15664	5221.33
5955-21-460-0449	15780	5260.00
5955-21-460-0450	16005	5335.00
5955-21-460-1548	16255	5418.33
5955-21-460-1556	17084	5694.67
5955-21-460-1559	17228	5742.67
5955-21-460-0463	17490	5830.00
5955-21-460-0464	17560	5853.33
5955-21-460-0436	18185	4546.25
5955-21-460-0438	18800	4700.00
5955-21-460-0442	19530	4882.50
5955-21-460-0447	20215	5053.75
5955-21-460-1549	21790	5447.50
5955-21-460-1551	22449	5612.25
5955-21-460-1554	22629	5657.25
5955-21-460-0462	23125	5781.25
5955-21-460-1550	27338	5467.60

Table 83

CRYSTAL UNIT, QUARTZ: TYPE SK

Illustration No. 1

Formula: $f_x = f_c + 2000$

N

Use: Type 109 Mod 1 Frequency Shift Keyer

Spec: LC136

NATOSC: 35084

NATO Stock No.	Channel Freq Kc	Crystal Freq Kc
5955-21-460-1883	73.6	2073.60
5955-21-460-1884	96.05	2096.05
5955-21-460-1583	106.2	2106.20
5955-21-460-0482	115.3	2115.30
5955-21-460-0483	133.15	2133.15
5955-21-460-1885	148.55	2148.55

Table 85

CRYSTAL UNIT, QUARTZ: TYPE BY

Illustration No. 1

Use: 89M Transmitter

Spec: LC136

NATOSC: 35084

NATO Stock No.	Channel Freq Kc	Crystal Freq Kc
5955-21-460-2290	3039	3039.00
5955-21-460-2291	3053	3053.00
5955-21-460-2292	6685	6685.00
5955-21-460-2293	8992.5	4496.25
5955-21-460-2294	11247	5623.50

CRYSTAL UNITS, QUARTZ

Table 87

CRYSTAL UNIT, QUARTZ: TYPE
CR-1A/AR

Illustration No. 1

Dimensions: A: 1.170 max
B: 0.460 max
C: 1.285 max
E: 0.655 max
F: 0.130 max
G: 0.505 max

Spec: MIL-C-16C

NATOSC: 81349

Note: For listing by equipment and
channel frequency see Tables 129,
131, 133 and 223

NATO Stock No.	Crystal Freq Kc
5955-21-460-2040	4461.67
5955-21-460-2096	5930.00
5955-21-460-1654	5970.00
5955-21-460-1655	6021.11
5955-21-460-1204	6076.67
5955-21-460-1205	6098.89
5955-21-460-1050	6110.00
5955-21-460-2818	6154.44
5955-21-460-0556	6210.00
5955-21-460-3236	6215.55
5955-21-460-1339	6232.22
5955-21-460-1341	6243.33
5955-21-460-1894	6248.89
5955-21-460-0557	6250.00
5955-21-460-1340	6265.56
5955-21-460-2530	6298.89
5955-21-460-2183	6450.00
5955-21-460-0559	6470.00
5955-21-460-2759	6471.11
5955-21-460-1938	6498.89
5955-21-460-2405	6510.00
5955-21-460-2406	6550.00
5955-21-460-2407	6630.00
5955-21-460-2474	6638.89
5955-21-460-2408	6650.00
5955-21-460-0998	6670.00
5955-21-460-2819	6694.44
5955-21-460-2184	6750.00
5955-21-460-2475	6772.22
5955-21-460-2409	6788.89
5955-21-460-2410	6790.00
5955-21-460-1656	6810.00
5955-21-460-0999	6860.00
5955-21-460-2586	6880.00
5955-21-460-2411	6890.00

(continued next column)

Table 87 Type CR-1A/AR (Contd)

NATO Stock No.	Crystal Freq Kc
5955-21-460-2466	6910.00
5955-21-460-1657	6930.00
5955-21-460-0562	6940.00
5955-21-460-1189	6960.00
5955-21-460-1658	6970.00
5955-21-460-1047	6990.00
5955-21-460-2744	6995.00
5955-21-460-1000	7010.00
5955-21-460-2758	7011.11
5955-21-460-2743	7030.00
5955-21-460-2212	7038.89
5955-21-460-1001	7060.00
5955-21-460-1659	7090.00
5955-21-460-0563	7110.00
5955-21-460-0563	7110.00
5955-21-460-1660	7120.00
5955-21-460-2412	7150.00
5955-21-460-0564	7170.00
5955-21-460-1748	7180.00
5955-21-460-2309	7210.00
5955-21-460-2310	7230.00
5955-21-460-1661	7250.00
5955-21-460-0565	7270.00
5955-21-460-1749	7280.00
5955-21-460-2413	7310.00
5955-21-460-1153	7320.00
5955-21-460-1876	7330.00
5955-21-460-0567	7350.00
5955-21-460-0569	7390.00
5955-21-460-2414	7400.00
5955-21-460-0570	7420.00
5955-21-460-2311	7450.00
5955-21-460-2415	7480.00
5955-21-460-2416	7550.00
5955-21-460-0573	7560.00
5955-21-460-0574	7580.00
5955-21-460-2403	7600.00
5955-21-460-2185	7650.00
5955-21-460-2417	7660.00
5955-21-460-0575	7700.00
5955-21-460-2418	7710.00
5955-21-460-2419	7720.00
5955-21-460-2186	7810.00
5955-21-460-2420	7840.00
5955-21-460-2421	7870.00
5955-21-460-0576	7880.00
5955-21-460-2422	7890.00
5955-21-460-2423	7920.00

(continued next column)

Table 87 Type CR-1A/AR (Contd)

NATO Stock No.	Crystal Freq Kc
5955-21-460-2187	7930.00
5955-21-460-2424	7960.00
5955-21-460-2425	7980.00
5955-21-460-2426	8000.00
5955-21-460-2432	8001.43
5955-21-460-2188	8007.69
5955-21-460-2433	8018.82
5955-21-460-2434	8020.00
5955-21-460-2189	8036.25
5955-21-460-2435	8070.00
5955-21-460-2436	8080.00
5955-21-460-2437	8090.77
5955-21-460-2427	8100.00
5955-21-460-2438	8103.75
5955-21-460-2428	8120.00
5955-21-460-2439	8126.25
5955-21-460-2312	8140.00
5955-21-460-2440	8146.15
5955-21-460-2190	8155.71
5955-21-460-2757	8157.14
5955-21-460-2441	8160.00
5955-21-460-2442	8171.25
5955-21-460-2443	8176.00
5955-21-460-2213	8192.86
5955-21-460-2444	8205.00
5955-21-460-2445	8209.41
5955-21-460-2446	8227.50
5955-21-460-2429	8240.00
5955-21-460-2447	8250.00
5955-21-460-2448	8256.92
5955-21-460-2449	8260.00
5955-21-460-2472	8269.23
5955-21-460-2450	8284.62
5955-21-460-2451	8304.71
5955-21-460-2404	8320.00
5955-21-460-2452	8335.72
5955-21-460-2820	8346.15
5955-21-460-2453	8362.50
5955-21-460-2191	8380.00
5955-21-460-2454	8385.00
5955-21-460-2455	8392.00
5955-21-460-2430	8420.00
5955-21-460-2192	8423.08
5955-21-460-2456	8452.00
5955-21-460-2473	8453.84
5955-21-460-2457	8464.00
5955-21-460-2458	8476.92
5955-21-460-2459	8478.46
5955-21-460-2431	8510.00
5955-21-460-2460	8541.43
5955-21-460-0577	9720.00

CRYSTAL UNITS, QUARTZ

Table 89

CRYSTAL UNIT, QUARTZ: TYPE
CR-2B/USpec: MIL
NATOSC: 81349

NATO Stock No.	Crystal Freq Kc
5955-21-460-0893	200

Table 91

CRYSTAL UNIT, QUARTZ: TYPE
CR-11/USpec: MIL
NATOSC: 81349

NATO Stock No.	Crystal Freq Cps
5955-21-460-1716	1817.44

Table 93

CRYSTAL UNIT, QUARTZ: TYPE
CR-16/UIllustration No. 4
Dimensions: A: 1.609 max
B: 1.202 max
C: 2.064 max
E: 0.672 max
F: 0.159 maxSpec: MIL-C-3098B
NATOSC: 81349Note: For listing by equipment and
channel frequency see Table 241

NATO Stock No.	Crystal Freq Kc
5955-21-460-1094	100.0000

Table 95

CRYSTAL UNIT, QUARTZ: TYPE
CR-18/UIllustration No. 2
Dimensions: A: 0.755 max
B: 0.350 max
C: 0.775 max
E: 0.248 max
F: 0.052 max
G: 0.494 max

Spec: MIL-C-3098B

NATOSC: 81349

Note: For listing by equipment and
channel frequency see Tables 127, 134,
135, 137, 145, 149, 155, 181, 183, 187,
191, 199, 207, 209, 217, 225, 227, 243,
271, 275 and 283

NATO Stock No.	Crystal Freq Kc
5955-21-460-2810	454.0000
5955-21-460-1055	455.0000
5955-21-460-1056	550.0000
5955-21-460-3079	689.6550
5955-21-460-1886	1000.000
5955-21-460-3076	1100.000
5955-21-460-1601	1422.000
5955-21-460-3203	1523.000
5955-21-460-2811	1526.500
5955-21-460-2812	1530.000
5955-21-460-2937	1553.000
5955-21-460-2938	1553.250
5955-21-460-1603	1558.000
5955-21-460-0640	1565.000
5955-21-460-2939	1566.000
5955-21-460-1605	1566.750
5955-21-460-3087	1575.500
5955-21-460-1733	1579.500
5955-21-460-2859	1586.250
5955-21-460-1735	1588.688
5955-21-460-3204	1673.250
5955-21-460-2814	1624.625
5955-21-460-2815	1677.000
5955-21-460-2816	1678.875
5955-21-460-2817	1686.375
5955-21-460-2669	1800.625
5955-21-460-2670	1802.500
5955-21-460-2671	1822.500
5955-21-460-3074	1879.500
5955-21-460-2004	1925.000
5955-21-460-2672	1935.500
5955-21-460-2673	1953.500
5955-21-460-3206	1973.750
5955-21-460-3207	1978.250
5955-21-460-2141	1994.000

(continued next column)

Table 95 Type CR-18/U (Contd)

NATO Stock No.	Crystal Freq Kc
5955-21-460-2674	1995.000
5955-21-460-1098	2000.000
5955-21-460-0655	2000.625
5955-21-460-2675	2002.500
5955-21-460-2653	2020.000
5955-21-460-2676	2022.500
5955-21-460-0656	2047.500
5955-21-460-2677	2060.750
5955-21-460-2678	2063.750
5955-21-460-2940	2070.500
5955-21-460-2941	2071.000
5955-21-460-2942	2088.000
5955-21-460-1608	2089.000
5955-21-460-1609	2091.000
5955-21-460-2943	2092.083
5955-21-460-2140	2094.009
5955-21-460-1732	2106.000
5955-21-460-1267	2118.000
5955-21-460-1734	2118.250
5955-21-460-2981	2134.900
5955-21-460-1610	2135.500
5955-21-460-1611	2138.500
5955-21-460-2679	2140.750
5955-21-460-1612	2141.500
5955-21-460-2974	2146.000
5955-21-460-2975	2147.500
5955-21-460-2680	2150.000
5955-21-460-1613	2152.300
5955-21-460-1614	2153.500
5955-21-460-2982	2156.500
5955-21-460-2977	2158.500
5955-21-460-2983	2159.500
5955-21-460-2984	2160.100
5955-21-460-1615	2165.500
5955-21-460-1270	2182.000
5955-21-460-2139	2194.000
5955-21-460-0668	2195.000
5955-21-460-2681	2211.250
5955-21-460-2682	2225.000
5955-21-460-2683	2245.000
5955-21-460-3065	2251.875
5955-21-460-1269	2252.000
5955-21-460-3075	2252.875
5955-21-460-2684	2260.937
5955-21-460-0672	2263.750
5955-21-460-2685	2272.500
5955-21-460-0673	2285.000
5955-21-460-2138	2294.000

(continued next column)



CRYSTAL UNITS, QUARTZ

Table 95 Type CR-18/U (Contd)

NATO Stock No.	Crystal Freq Kc
5955-21-460-2686	2303.125
5955-21-460-2687	2304.000
5955-21-460-2688	2326.875
5955-21-460-2689	2340.750
5955-21-460-2690	2348.500
5955-21-460-0674	2350.000
5955-21-460-2691	2351.250
5955-21-460-2137	2394.000
5955-21-460-2692	2415.500
5955-21-460-0676	2425.000
5955-21-460-2841	2436.000
5955-21-460-0677	2445.000
5955-21-460-1264	2455.000
5955-21-460-0678	2472.500
5955-21-460-2136	2494.000
5955-21-460-2182	2500.000
5955-21-460-2693	2503.125
5955-21-460-0679	2526.875
5955-21-460-2694	2536.250
5955-21-460-2695	2546.000
5955-21-460-2696	2548.500
5955-21-460-2843	2554.000
5955-21-460-1271	2573.000
5955-21-460-2135	2594.000
5955-21-460-2697	2606.125
5955-21-460-2698	2626.625
5955-21-460-1274	2637.000
5955-21-460-2699	2665.000
5955-21-460-2700	2667.500
5955-21-460-2845	2673.000
5955-21-460-2701	2675.000
5955-21-460-2702	2690.625
5955-21-460-2134	2694.000
5955-21-460-1273	2707.000
5955-21-460-2703	2719.750
5955-21-460-0683	2736.250
5955-21-460-1616	2746.000
5955-21-460-1617	2755.625
5955-21-460-2944	2672.750
5955-21-460-2945	2777.125
5955-21-460-1620	2778.125
5955-21-460-2133	2794.000
5955-21-460-2704	2801.250
5955-21-460-2985	2801.625
5955-21-460-2705	2803.750
5955-21-460-2986	2804.625
5955-21-460-2987	2805.375
5955-21-460-1621	2806.125

(continued next column)

Table 95 Type CR-18/U (Contd)

NATO Stock No.	Crystal Freq Kc
5955-21-460-1622	2806.875
5955-21-460-2706	2808.750
5955-21-460-2988	2809.125
5955-21-460-1623	2816.625
5955-21-460-2989	2820.375
5955-21-460-2707	2823.375
5955-21-460-1624	2828.625
5955-21-460-2813	2851.500
5955-21-460-1625	2859.000
5955-21-460-2708	2865.000
5955-21-460-0688	2867.500
5955-21-460-0689	2875.000
5955-21-460-0691	2890.625
5955-21-460-2842	2891.000
5955-21-460-2709	2892.500
5955-21-460-2132	2894.000
5955-21-460-2710	2919.750
5955-21-460-2711	2974.000
5955-21-460-2583	3001.250
5955-21-460-2712	3003.250
5955-21-460-2713	3003.750
5955-21-460-2844	3009.000
5955-21-460-2714	3012.500
5955-21-460-2715	3022.625
5955-21-460-1991	3023.500
5955-21-460-2716	3024.375
5955-21-460-2717	3030.250
5955-21-460-0693	3039.375
5955-21-460-0694	3047.500
5955-21-460-2718	3087.000
5955-21-460-2719	3089.375
5955-21-460-2846	3128.000
5955-21-460-2720	3146.000
5955-21-460-2721	3177.500
5955-21-460-2722	3191.750
5955-21-460-1626	3193.250
5955-21-460-2723	3194.000
5955-21-460-1627	3196.750
5955-21-460-2724	3200.000
5955-21-460-2976	3200.250
5955-21-460-1628	3203.250
5955-21-460-1629	3207.750
5955-21-460-1630	3212.250
5955-21-460-1631	3212.500
5955-21-460-2978	3221.250
5955-21-460-2594	3222.625
5955-21-460-2979	3223.500
5955-21-460-1633	3224.750
5955-21-460-2980	3225.750

(continued next column)

Table 95 Type CR-18/U (Contd)

NATO Stock No.	Crystal Freq Kc
5955-21-460-2725	3227.500
5955-21-460-1634	3230.250
5955-21-460-1635	3246.000
5955-21-460-1636	3249.250
5955-21-460-2726	3287.000
5955-21-460-2727	3293.000
5955-21-460-2728	3325.000
5955-21-460-2847	3345.000
5955-21-460-1638	3346.000
5955-21-460-2729	3353.125
5955-21-460-2849	3366.000
5955-21-460-0700	3377.500
5955-21-460-2730	3391.750
5955-21-460-2731	3394.000
5955-21-460-1639	3400.000
5955-21-460-1806	3427.500
5955-21-762-0000	3450.000
5955-21-460-2732	3465.000
5955-21-460-2733	3477.500
5955-21-460-1992	3478.500
5955-21-460-2734	3557.500
5955-21-460-2735	3632.500
5955-21-460-0701	3665.000
5955-21-460-2736	3716.000
5955-21-460-1640	3757.500
5955-21-460-2737	3762.500
5955-21-460-2848	3800.000
5955-21-460-2850	3821.000
5955-21-460-2738	3832.500
5955-21-460-1641	3916.000
5955-21-460-1861	3991.500
5955-21-460-0703	3992.500
5955-21-460-1266	4455.000
5955-21-460-3113	4702.500
5955-21-460-3070	5000.000
5955-21-460-0704	5910.000
5955-21-460-1877	5930.000
5955-21-460-1642	5970.000
5955-21-460-0705	6010.000
5955-21-460-1643	6021.111
5955-21-460-1333	6076.667
5955-21-460-0706	6090.000
5955-21-460-1334	6098.889
5955-21-460-1049	6110.000
5955-21-460-2574	6143.000
5955-21-460-0707	6210.000
5955-21-460-3235	6215.556
5955-21-460-1335	6232.222
5955-21-460-1337	6243.333
5955-21-460-1895	6248.889

(continued next column)



RCN Catalogue of Materiel

5955

TABLES 95 TO 99

CRYSTAL UNITS, QUARTZ

Table 95 Type CR-18/U (Contd)

NATO Stock No.	Crystal Freq Kc
5955-21-460-0708	6250.000
5955-21-460-1336	6265.556
5955-21-460-0709	6350.000
5955-21-460-0710	6470.000
5955-21-460-2760	6471.111
5955-21-460-2211	6498.888
5955-21-460-1154	6610.000
5955-21-460-2907	6627.777
5955-21-460-2898	6638.888
5955-21-460-2901	6650.000
5955-21-460-2893	6661.111
5955-21-460-1002	6670.000
5955-21-460-2821	6694.444
5955-21-460-2905	6700.000
5955-21-460-2899	6750.000
5955-21-460-0711	6770.000
5955-21-460-2890	6772.222
5955-21-460-2900	6788.888
5955-21-460-1644	6810.300
5955-21-460-1003	6860.000
5955-21-460-2895	6872.222
5955-21-460-2645	6910.000
5955-21-460-1645	6930.000
5955-21-460-0712	6940.000
5955-21-460-2142	6950.000
5955-21-460-1188	6960.000
5955-21-460-1646	6970.000
5955-21-460-1048	6990.000
5955-21-460-2742	6995.000
5955-21-460-1004	7010.000
5955-21-460-2897	7011.111
5955-21-460-2741	7030.000
5955-21-460-2896	7038.888
5955-21-460-2143	7050.000
5955-21-460-1005	7060.000
5955-21-460-1647	7090.000
5955-21-460-0713	7110.000
5955-21-460-1648	7120.000
5955-21-460-2144	7150.000
5955-21-460-0714	7170.000
5955-21-460-1649	7250.000
5955-21-460-0715	7270.000
5955-21-460-1762	7280.000
5955-21-460-0716	7300.000
5955-21-460-1650	7320.000
5955-21-460-1878	7330.000
5955-21-460-0717	7350.000
5955-21-460-0718	7380.000

(continued next column)

Table 95 Type CR-18/U (Contd)

NATO Stock No.	Crystal Freq Kc
5955-21-460-0719	7390.000
5955-21-460-2889	7400.000
5955-21-460-0720	7420.000
5955-21-460-1651	7440.000
5955-21-460-2145	7450.000
5955-21-460-1652	7460.000
5955-21-460-2146	7550.000
5955-21-460-0721	7560.000
5955-21-460-2894	7600.000
5955-21-460-2147	7650.000
5955-21-460-2888	7660.000
5955-21-460-2904	7710.000
5955-21-469-2148	7750.000
5955-21-469-2906	7810.000
5955-21-460-2902	7840.000
5955-21-460-2149	7850.000
5955-21-460-1653	7880.000
5955-21-460-2891	7890.000
5955-21-460-2892	7930.000
5955-21-460-2903	7960.000
5955-21-460-2869	8020.000
5955-21-460-2886	8036.250
5955-21-460-2882	8070.000
5955-21-460-2865	8080.000
5955-21-460-2867	8126.250
5955-21-460-2878	8140.000
5955-21-460-2875	8157.142
5955-21-460-2868	8171.250
5955-21-460-2873	8192.857
5955-21-460-2883	8205.000
5955-21-762-0001	8250.000
5955-21-460-2887	8253.846
5955-21-460-2881	8260.000
5955-21-460-2880	8284.615
5955-21-460-2870	8300.000
5955-21-460-2871	8320.000
5955-21-460-2822	8346.153
5955-21-762-0002	8350.000
5955-21-460-2885	8353.846
5955-21-460-2874	8380.000
5955-21-460-2864	8392.000
5955-21-460-2877	8423.076
5955-21-762-0003	8450.000
5955-21-460-2884	8452.000
5955-21-460-2866	8453.846
5955-21-460-2879	8476.923
5955-21-762-0004	8550.000
5955-21-460-2872	8592.307
5955-21-762-0005	8650.000

(continued next column)

Table 95 Type CR-18/U (Contd)

NATO Stock No.	Crystal Freq Kc
5955-21-762-0006	8750.000
5955-21-762-0007	8850.000
5955-21-762-0008	8950.000
5955-21-460-2876	8958.333
5955-21-762-0009	9050.000
5955-21-762-0010	9150.000
5955-21-460-1093	9250.000
5955-21-460-1092	9458.300
5955-21-762-0011	15950.000
5955-21-460-1990	125178.000

Table 97

CRYSTAL UNIT, QUARTZ: TYPE CR-19/U

Illustration No. 2

- Dimensions: A: 0.755 max
 B: 0.350 max
 C: 0.775 max
 E: 0.248 max
 F: 0.052 max
 G: 0.494 max

Spec: MIL-C-3098B

NATOSC: 81349

Note: For listing by equipment and channel frequency see Table 253

NATO Stock No.	Crystal Freq Kc
5955-21-460-3058	1000.000

Table 99

CRYSTAL UNIT, QUARTZ: TYPE CR-23/U

Illustration No. 2

- Dimensions: A: 0.755 max
 B: 0.350 max
 C: 0.775 max
 E: 0.248 max
 F: 0.052 max
 G: 0.494 max

Spec: MIL-C-3098B

NATOSC: 81349

Note: For listing by equipment and channel frequency see Tables 134-1, 139, 151, 157, 167, 189, 213, 229, 239 and 254

NATO Stock No.	Crystal Freq Mc
5955-21-460-1729	16.82500
5955-21-460-2150	18.00600

(continued next column)



CRYSTAL UNITS, QUARTZ

Table 99 Type CR-23/U (Contd)

NATO Stock No.	Crystal Freq Mc
5955-21-460-2151	19.00600
5955-21-460-2152	20.00600
5955-21-460-2153	21.00600
5955-21-460-2154	22.00600
5955-21-460-2155	23.00600
5955-21-460-2156	24.00600
5955-21-460-2157	25.00600
5955-21-762-0012	25.70000
5955-21-460-2158	26.00600
5955-21-762-0013	26.70000
5955-21-460-2159	27.00600
5955-21-762-0014	27.70000
5955-21-762-0015	28.70000
5955-21-762-0016	29.70000
5955-21-762-0017	30.70000
5955-21-460-2169	31.00000
5955-21-762-0018	31.70000
5955-21-460-2168	32.00000
5955-21-460-2973	32.50000
5955-21-762-0019	32.70000
5955-21-460-2167	33.00000
5955-21-762-0020	33.70000
5955-21-460-2166	34.00000
5955-21-460-1814	34.40000
5955-21-762-0021	34.70000
5955-21-460-2165	35.00000
5955-21-460-2164	36.00000
5955-21-460-2163	37.00000
5955-21-762-0022	37.26660
5955-21-460-2162	38.00000
5955-21-460-2161	39.00000
5955-21-460-2605	39.51852
5955-21-460-2606	39.55556
5955-21-460-2607	39.59259
5955-21-460-2608	39.62963
5955-21-460-2609	39.66667
5955-21-460-2610	39.70370
5955-21-460-2611	39.74074
5955-21-460-2612	39.77778
5955-21-460-2613	39.81482
5955-21-460-2614	39.85185
5955-21-460-2615	39.88889
5955-21-460-2616	39.92593
5955-21-460-2617	39.96296
5955-21-460-2160	40.00000
5955-21-460-2618	40.03704
5955-21-460-2619	40.07407
5955-21-460-2620	40.11111

(continued next column)

Table 99 Type CR-23/U (Contd)

NATO Stock No.	Crystal Freq Mc
5955-21-460-2621	40.14815
5955-21-460-2622	40.18519
5955-21-460-2623	40.22222
5955-21-460-2624	40.25926
5955-21-460-2625	40.29630
5955-21-460-2626	40.33333
5955-21-460-2627	40.37037
5955-21-460-2628	40.40741
5955-21-460-2629	40.44444
5955-21-460-2630	40.48148
5955-21-460-2631	40.51852
5955-21-460-2632	40.55556
5955-21-460-2633	40.59259
5955-21-460-2634	40.62963
5955-21-460-2635	40.66667
5955-21-460-2636	40.70370
5955-21-460-2637	40.74074
5955-21-460-2638	40.77778
5955-21-460-2639	40.81482
5955-21-460-2640	40.85185
5955-21-460-2641	40.88889
5955-21-460-2642	40.92593
5955-21-460-2643	40.96296
5955-21-460-2644	41.00000
5955-21-460-2645	41.03704
5955-21-762-0050	41.72222
5955-21-460-2604	42.00000
5955-21-460-1324	43.73000
5955-21-460-1325	44.33000
5955-21-460-1326	44.81000
5955-21-460-2554	44.86333
5955-21-460-1323	45.53000
5955-21-460-1834	45.70000
5955-21-460-0722	45.77000
5955-21-460-1707	46.37000
5955-21-460-0723	47.09000
5955-21-460-2763	47.09667
5955-21-460-1835	48.50000
5955-21-460-0724	48.89000
5955-21-460-1836	49.30000
5955-21-460-1837	49.50000
5955-21-460-1838	49.70000
5955-21-460-1839	49.90000
5955-21-460-0725	49.91000
5955-21-460-0726	50.93000
5955-21-460-0727	51.29000
5955-21-460-0728	51.89000
5955-21-460-0729	52.07000
5955-21-460-0730	52.37000
5955-21-460-0731	52.55000
5955-21-460-0732	52.61000
5955-21-460-0733	52.79000
5955-21-460-0734	53.63000

Table 101

CRYSTAL UNIT, QUARTZ: TYPE CR-24/U

Illustration No. 12

Dimensions: A: 0.570 max
D: 0.563 max
E: 0.260 max

Spec: MIL-C-3098B

NATOSC: 81349

Note: For listing by equipment and channel frequency see Tables 205, 215, 221 and 257

NATO Stock No.	Crystal Freq Mc
5955-21-460-1199	18.75000
5955-21-460-1107	19.35000
5955-21-460-0735	19.48333
5955-21-460-1256	19.53000
5955-21-460-1108	19.65000
5955-21-460-0736	19.81667
5955-21-460-1360	19.85000
5955-21-460-1109	19.89000
5955-21-460-1361	19.91667
5955-21-460-0737	20.25000
5955-21-460-3234	20.26667
5955-21-460-1110	20.37000
5955-21-460-2528	20.51666
5955-21-460-2313	20.58333
5955-21-460-2314	20.62500
5955-21-460-2315	20.66666
5955-21-460-1254	20.67000
5955-21-460-2316	20.70833
5955-21-460-2317	20.75000
5955-21-460-2318	20.77500
5955-21-460-2319	20.79166
5955-21-460-2320	20.80833
5955-21-460-0738	20.81667
5955-21-460-2321	20.82500
5955-21-460-2322	20.83333
5955-21-460-2323	20.84166
5955-21-460-2324	20.85833
5955-21-460-2325	20.87500
5955-21-460-0739	20.88333
5955-21-460-2326	20.89166
5955-21-460-2327	20.91666
5955-21-460-2328	21.00000
5955-21-460-1111	21.03000
5955-21-460-0740	21.03333
5955-21-460-2329	21.05333
5955-21-460-1200	21.15000
5955-21-460-3036	21.28333
5955-21-460-0741	21.35000

(continued next column)



CRYSTAL UNITS, QUARTZ

Table 101 Type CR-24/U (Contd)

NATO Stock No.	Crystal Freq Mc
5955-21-460-0742	21.36667
5955-21-460-1112	21.45000
5955-21-460-0743	21.48333
5955-21-460-1345	21.57000
5955-21-460-0744	21.80000
5955-21-460-1355	22.05000
5955-21-460-3038	22.06500
5955-21-460-2358	22.13333
5955-21-460-0745	22.15000
5955-21-460-2359	22.17500
5955-21-460-2360	22.21666
5955-21-460-2361	22.25833
5955-21-460-2647	22.26667
5955-21-460-2362	22.30000
5955-21-460-2363	22.32500
5955-21-460-2364	22.34166
5955-21-460-2365	22.35833
5955-21-460-0746	22.36667
5955-21-460-2366	22.37500
5955-21-460-2367	22.38333
5955-21-460-2368	22.39166
5955-21-460-2369	22.40833
5955-21-460-2370	22.42500
5955-21-460-0747	22.43333
5955-21-460-1113	22.44000
5955-21-460-2371	22.44166
5955-21-460-2372	22.46666
5955-21-460-1021	22.55000
5955-21-460-1742	22.59000
5955-21-460-2648	22.61667
5955-21-460-2373	22.63333
5955-21-460-1344	22.65000
5955-21-460-1730	22.70000
5955-21-460-0749	22.81667
5955-21-460-2074	22.85000
5955-21-460-0750	22.90000
5955-21-460-1346	22.95000
5955-21-460-1347	22.98000
5955-21-460-0751	23.03333
5955-21-460-1668	23.08333
5955-21-460-1924	23.09167
5955-21-460-2216	23.10000
5955-21-460-1258	23.13000
5955-21-460-0752	23.15000
5955-21-460-1952	23.16000
5955-21-460-2330	23.16666
5955-21-460-1925	23.19167
5955-21-460-1700	23.20000

(continued next column)

Table 101 Type CR-24/U (Contd)

NATO Stock No.	Crystal Freq Mc
5955-21-460-1926	23.24167
5955-21-460-2331	23.25000
5955-21-460-2332	23.27500
5955-21-460-0753	23.28333
5955-21-460-2333	23.29166
5955-21-460-2334	23.30333
5955-21-460-2335	23.32500
5955-21-460-1927	23.33333
5955-21-460-1928	23.34167
5955-21-460-2336	23.35833
5955-21-460-2337	23.37500
5955-21-460-1701	23.38333
5955-21-460-1929	23.39167
5955-21-460-2217	23.41666
5955-21-460-1114	23.43000
5955-21-460-1763	23.43333
5955-21-460-2338	23.45833
5955-21-460-1702	23.41967
5955-21-460-2339	23.50000
5955-21-460-1930	23.50833
5955-21-460-1115	23.52000
5955-21-460-2340	23.54166
5955-21-460-1027	23.56667
5955-21-460-2341	23.58333
5955-21-460-1826	23.61667
5955-21-460-1116	23.67000
5955-21-460-0754	23.70000
5955-21-460-0755	23.75000
5955-21-460-2281	23.76666
5955-21-460-1118	23.79000
5955-21-460-1669	23.81667
5955-21-460-1119	23.88000
5955-21-460-1120	23.94000
5955-21-460-1022	24.10000
5955-21-460-1670	24.15000
5955-21-460-2646	24.16667
5955-21-460-1010	24.28333
5955-21-460-1122	24.30000
5955-21-460-0757	24.36667
5955-21-460-2075	24.40000
5955-21-460-1671	24.63333
5955-21-460-1931	24.64167
5955-21-460-0758	24.70000
5955-21-460-2374	24.71666
5955-21-460-1932	24.74167
5955-21-460-1703	24.75000
5955-21-460-1933	24.79167
5955-21-460-2375	24.80000
5955-21-460-2376	24.82500

(continued next column)

Table 101 Type CR-24/U (Contd)

NATO Stock No.	Crystal Freq Mc
5955-21-460-0759	24.83333
5955-21-460-2377	24.84166
5955-21-460-2378	24.85833
5955-21-460-2379	24.87500
5955-21-460-1934	24.88333
5955-21-460-1935	24.89167
5955-21-460-2380	24.90833
5955-21-460-2381	24.92500
5955-21-460-1704	24.93333
5955-21-460-1936	24.94167
5955-21-460-0760	24.95000
5955-21-460-2382	24.96666
5955-21-460-1705	24.98333
5955-21-460-2383	25.00833
5955-21-460-1706	25.04167
5955-21-460-2384	25.05000
5955-21-460-1937	25.05833
5955-21-460-1827	25.08333
5955-21-460-2385	25.09166
5955-21-460-1029	25.11667
5955-21-460-2386	25.13333
5955-21-460-1830	25.16667
5955-21-460-0761	25.21667
5955-21-460-0762	25.30000
5955-21-460-1672	25.36667
5955-21-460-1828	25.61667
5955-21-460-1673	25.70000
5955-21-460-0763	25.75000
5955-21-460-1012	25.83333
5955-21-460-3190	26.00000
5955-21-460-1011	26.01667
5955-21-460-0764	26.28333
5955-21-460-0765	26.50000
5955-21-460-0766	26.55000
5955-21-460-1831	26.63333
5955-21-460-0767	26.68333
5955-21-460-0768	26.76667
5955-21-460-2962	26.86667
5955-21-460-3037	26.88888
5955-21-460-2853	27.08333
5955-21-460-1832	27.16667
5955-21-460-0769	27.21667
5955-21-460-0770	27.30000
5955-21-460-0771	27.35000
5955-21-460-1013	27.56667
5955-21-460-0773	27.83333
5955-21-460-1829	28.01667
5955-21-460-0774	28.10000

(continued next column)



CRYSTAL UNITS, QUARTZ

Table 101 Type CR-24/U (Contd)

NATO Stock No.	Crystal Freq Mc
5955-21-460-0775	28.23333
5955-21-460-0776	28.28333
5955-21-460-2601	28.35000
5955-21-460-0777	28.41667
5955-21-460-0778	28.55000
5955-21-460-2856	28.63333
5955-21-460-0779	28.76667
5955-21-460-0780	28.90000
5955-21-460-2342	28.91666
5955-21-460-2343	29.00000
5955-21-460-0782	29.08333
5955-21-460-2344	29.10833
5955-21-460-2345	29.12500
5955-21-460-2346	29.14166
5955-21-460-2347	29.15833
5955-21-460-2348	29.16666
5955-21-460-2349	29.17500
5955-21-460-2350	29.19166
5955-21-460-2351	29.20833
5955-21-460-2352	29.22500
5955-21-460-2353	29.25000
5955-21-460-2354	29.29166
5955-21-460-2355	29.33333
5955-21-460-2356	29.37500
5955-21-460-2357	29.41666
5955-21-460-2854	29.55000
5955-21-460-1833	29.56667
5955-21-460-0783	29.75000
5955-21-460-2855	29.78333
5955-21-460-0784	29.83333
5955-21-460-2600	29.90000
5955-21-460-0785	29.96667
5955-21-460-0786	30.08333
5955-21-460-0787	30.10000
5955-21-460-1201	30.15000
5955-21-460-1028	30.35000
5955-21-460-2387	30.48666
5955-21-460-2388	30.55000
5955-21-460-0788	30.63333
5955-21-460-2389	30.65833
5955-21-460-2390	30.67500
5955-21-460-2391	30.69166
5955-21-460-2392	30.70833
5955-21-460-2393	30.71666
5955-21-460-2394	30.72500
5955-21-460-2395	30.74166
5955-21-460-2396	30.75833
5955-21-460-2397	30.77500

(continued next column)

Table 101 Type CR-24/U (Contd)

NATO Stock No.	Crystal Freq Mc
5955-21-460-2398	30.80000
5955-21-460-2399	30.4166
5955-21-460-2400	30.88333
5955-21-460-2401	30.92500
5955-21-460-2402	30.96666
5955-21-460-2857	31.10000
5955-21-460-0789	31.30000
5955-21-460-2858	31.33333
5955-21-460-0790	31.63333
5955-21-460-1731	31.70000
5955-21-460-2963	31.80000
5955-21-460-1030	31.90000
5955-21-460-0791	31.95000
5955-21-460-0792	32.01667
5955-21-460-0793	32.08333
5955-21-460-1953	32.21667
5955-21-460-0794	32.48333
5955-21-460-1202	33.33333
5955-21-460-2961	33.35000
5955-21-460-0795	33.50000
5955-21-460-0796	33.56667
5955-21-460-0797	33.63333
5955-21-460-1954	33.76667
5955-21-460-0798	34.03333
5955-21-460-1811	40.62667
5955-21-460-1812	42.66667
5955-21-460-1813	44.34667

Table 103

CRYSTAL UNIT, QUARTZ: TYPE

CR-26/U

Illustration No. 2

Dimensions: A: 0.755 max
 B: 0.350 max
 C: 0.775 max
 E: 0.248 max
 F: 0.052 max
 G: 0.494 max

Spec: MIL-C-3098B

NATOSC: 81349

Note: For listing by equipment and channel frequency see Table 265

NATO Stock No.	Crystal Freq Kc
5955-21-460-2239	470.0000

Table 105

CRYSTAL UNIT, QUARTZ: TYPE
CR-27/U

Illustration No. 2

Dimensions: A: 0.755 max
 B: 0.350 max
 C: 0.775
 E: 0.248 max
 F: 0.052 max
 G: 0.494 max

Spec: MIL-C-3098B

NATOSC: 81349

Note: For listing by equipment and channel frequency see Tables 134-2, 143, 147, 161, 171, 193, 201, 219, 245, 247, 249, 255, 267, 279, 285, 287, 291, 293, 297 and 301

NATO Stock No.	Crystal Freq Kc
5955-21-460-3053	1353.000
5955-21-460-3055	1353.250
5955-21-460-3191	1353.500
5955-21-460-3054	1359.250
5955-21-460-2035	1392.250
5955-21-460-2034	1424.625
5955-21-460-3170	1443.500
5955-21-460-1402	1800.625
5955-21-460-2656	1825.000
5955-21-460-2946	1870.500
5955-21-460-2947	1871.000
5955-21-460-3192	1871.500
5955-21-460-3193	1876.000
5955-21-460-2948	1878.250
5955-21-460-2949	1879.000
5955-21-460-3039	1922.500
5955-21-460-2033	1923.000
5955-21-460-3040	1934.900
5955-21-460-1403	1935.500
5955-21-460-3049	1943.000
5955-21-460-1674	1953.500
5955-21-460-3144	1974.500
5955-21-460-3145	1979.000
5955-21-460-1127	1995.000
5955-21-460-2657	2000.000
5955-21-460-3197	2053.777
5955-21-460-3118	2056.500
5955-21-460-2581	2060.750
5955-21-460-1133	2063.750
5955-21-460-1136	2085.000
5955-21-460-2201	2106.200
5955-21-460-3119	2114.000
5955-21-460-3008	2140.750
5955-21-460-3050	2143.000
5955-21-460-1135	2150.000

(continued next column)



RCN Catalogue of Materiel

5955

TABLES 101 TO 105

CRYSTAL UNITS, QUARTZ

Table 105 Type CR-27/U (Contd)

NATO Stock No.	Crystal Freq Kc
5955-21-460-3208	2173.750
5955-21-460-3146	2174.500
5955-21-460-3209	2178.250
5955-21-460-3147	2179.000
5955-21-460-3120	2201.500
5955-21-460-1676	2225.000
5955-21-460-1677	2245.000
5955-21-460-3121	2266.500
5955-21-460-3122	2286.500
5955-21-460-1678	2326.875
5955-21-460-3009	2340.750
5955-21-460-3163	2391.000
5955-21-460-3123	2404.000
5955-21-460-3169	2404.750
5955-21-460-3164	2407.000
5955-21-460-3158	2411.500
5955-21-460-3156	2421.500
5955-21-460-3159	2422.000
5955-21-460-3124	2453.500
5955-21-460-3125	2463.500
5955-21-460-3126	2501.500
5955-21-460-3201	2505.000
5955-21-460-3228	2505.500
5955-21-460-0912	2517.500
5955-21-460-3127	2529.250
5955-21-460-1679	2536.250
5955-21-460-3128	2536.500
5955-21-460-1305	2546.000
5955-21-460-3229	2555.625
5955-21-460-2950	2562.750
5955-21-460-2662	2567.000
5955-21-460-2951	2568.875
5955-21-460-3129	2603.000
5955-21-460-1680	2606.125
5955-21-460-1681	2628.625
5955-21-460-0800	2667.500
5955-21-460-1134	2675.000
5955-21-460-1128	2690.625
5955-21-460-3160	2693.500
5955-21-460-3010	2719.750
5955-21-460-0802	2736.250
5955-21-460-3130	2741.000
5955-21-460-1286	2746.000
5955-21-460-1292	2755.625
5955-21-460-2582	2801.250
5955-21-460-1284	2836.000
5955-21-460-1682	2839.375
5955-21-460-1275	2844.000

(continued next column)

Table 105 Type CR-27/U (Contd)

NATO Stock No.	Crystal Freq Kc
5955-21-460-0805	2867.500
5955-21-460-0806	2875.000
5955-21-460-2954	2906.500
5955-21-460-3194	2908.500
5955-21-460-3011	2919.750
5955-21-460-2658	2930.000
5955-21-460-3165	2983.500
5955-21-460-2173	2996.750
5955-21-460-2558	3000.250
5955-21-460-1683	3003.250
5955-21-460-1684	3012.500
5955-21-460-3131	3014.500
5955-21-460-3152	3015.500
5955-21-460-3153	3021.500
5955-21-460-2593	3022.625
5955-21-460-1685	3023.000
5955-21-460-3041	3023.500
5955-21-460-1687	3030.250
5955-21-460-0808	3039.375
5955-21-460-1689	3049.250
5955-21-460-3200	3082.250
5955-21-460-1766	3087.000
5955-21-460-3198	3096.777
5955-21-460-3132	3097.125
5955-21-460-3151	* 3112.500
5955-21-460-3166	3144.850
5955-21-460-1184	3146.000
5955-21-460-0812	3169.167
5955-21-460-1690	3177.500
5955-21-460-3012	3191.750
5955-21-460-1277	3193.250
5955-21-460-1746	3194.000
5955-21-460-1294	3196.750
5955-21-460-1691	3200.000
5955-21-460-2557	3200.250
5955-21-460-3157	3201.500
5955-21-460-1281	3203.250
5955-21-460-1295	3207.750
5955-21-460-1278	3212.250
5955-21-460-1282	3212.500
5955-21-460-3133	3216.500
5955-21-460-2993	3221.250
5955-21-460-2592	3222.625
5955-21-460-2994	3223.500
5955-21-460-2194	3224.750
5955-21-460-2995	3225.750
5955-21-460-1807	3227.500

(continued next column)

Table 105 Type CR-27/U (Contd)

NATO Stock No.	Crystal Freq Kc
5955-21-460-1299	3230.250
5955-21-460-1974	3233.333
5955-21-460-2195	3246.000
5955-21-460-2665	3260.500
5955-21-460-3078	3262.500
5955-21-460-3134	3277.250
5955-21-460-2573	3277.500
5955-21-460-2659	3309.000
5955-21-460-2660	3323.000
5955-21-460-1289	3346.000
5955-21-460-3107	3351.000
5955-21-460-3135	3351.500
5955-21-460-0817	3369.167
5955-21-460-0818	3377.500
5955-21-460-3150	3386.000
5955-21-460-3013	3391.750
5955-21-460-1722	3394.000
5955-21-460-1288	3400.000
5955-21-460-3136	3421.500
5955-21-460-1692	3465.000
5955-21-460-3161	3466.600
5955-21-460-3162	3468.750
5955-21-460-3137	3471.750
5955-21-460-3138	3481.000
5955-21-460-3139	3486.000
5955-21-460-3167	3493.350
5955-21-460-2664	3517.000
5955-21-460-3108	3524.500
5955-21-460-2661	3531.500
5955-21-460-1308	3451.500
5955-21-460-0819	3557.500
5955-21-460-2663	3562.000
5955-21-460-1975	3566.667
5955-21-460-1303	3571.500
5955-21-460-3140	3604.500
5955-21-460-3141	3611.500
5955-21-460-1958	3632.500
5955-21-460-0820	3633.333
5955-21-460-1976	3650.000
5955-21-460-1767	3654.167
5955-21-460-0822	3665.000
5955-21-460-1977	3666.667
5955-21-460-1978	3683.333
5955-21-460-1979	3700.000
5955-21-460-1693	3716.000
5955-21-460-1980	3716.667
5955-21-460-1981	3733.333
5955-21-460-3000	3735.500
5955-21-460-3001	3739.500
5955-21-460-3002	3740.500

(continued next column)

* 3114-0000
N.C.F. 03544
17/4/64



CRYSTAL UNITS, QUARTZ

Table 105 Type CR-27/U (Contd)

NATO Stock No.	Crystal Freq Kc
5955-21-460-1300	3741.500
5955-21-460-1279	3742.500
5955-21-460-3003	3745.300
5955-21-460-1982	3750.000
5955-21-460-1296	3755.500
5955-21-460-1287	3757.500
5955-21-460-3004	3760.500
5955-21-460-2197	3764.500
5955-21-460-1983	3766.667
5955-21-460-1283	3771.500
5955-21-460-1984	3783.333
5955-21-460-0824	3792.500
5955-21-460-1985	3800.000
5955-21-460-1304	3801.250
5955-21-460-3014	3832.500
5955-21-460-0826	3852.500
5955-21-460-0827	3854.167
5955-21-460-0829	3895.000
5955-21-460-1986	3900.000
5955-21-460-1301	3916.000
5955-21-460-2928	3941.000
5955-21-460-2929	3941.333
5955-21-460-2930	3942.000
5955-21-460-3195	3943.000
5955-21-460-3196	3946.000
5955-21-460-2931	3958.000
5955-21-460-3154	3964.500
5955-21-460-0833	3992.500
5955-21-460-3142	3999.500
5955-21-460-3168	3999.650
5955-21-460-0834	4000.000
5955-21-460-0835	4001.250
5955-21-460-3155	4005.500
5955-21-460-3042	4069.800
5955-21-460-1302	4071.000
5955-21-460-2174	4072.000
5955-21-460-2172	4077.000
5955-21-460-3051	4086.000
5955-21-460-1291	4095.000
5955-21-460-2200	4104.600
5955-21-460-1307	4107.000
5955-21-460-2175	4131.000
5955-21-460-2602	4261.333
5955-21-460-2996	4269.800
5955-21-460-1280	4271.000
5955-21-460-2171	4272.000
5955-21-460-1293	4277.000
5955-21-460-1276	4283.000

(continued next column)

Table 105 Type CR-27/U (Contd)

NATO Stock No.	Crystal Freq Kc
5955-21-460-3052	4286.000
5955-21-460-2990	4292.000
5955-21-460-2991	4295.000
5955-21-460-0848	4303.333
5955-21-460-2196	4304.600
5955-21-460-1297	4307.000
5955-21-460-2997	4313.000
5955-21-460-2992	4317.000
5955-21-460-2998	4319.000
5955-21-460-2999	4320.200
5955-21-460-0850	4327.500
5955-21-460-0851	4370.000
5955-21-460-0852	4390.000
5955-21-460-1959	4481.500
5955-21-460-1310	4500.000
5955-21-460-0854	4527.500
5955-21-460-0913	4540.000
5955-21-460-2224	4570.000
5955-21-460-0855	4650.000
5955-21-460-0856	4686.667
5955-21-460-0857	4690.000
5955-21-460-0858	4700.000
5955-21-460-1747	4745.000
5955-21-460-0860	4850.000
5955-21-460-0861	4890.000
5955-21-460-1724	4945.000
5955-21-460-0863	5135.000
5955-21-460-1987	5172.917
5955-21-460-1988	5181.250
5955-21-460-0864	5235.000
5955-21-460-0865	5272.500
5955-21-460-2932	5321.333
5955-21-460-2933	5325.500
5955-21-460-2934	5337.750
5955-21-460-2935	5342.000
5955-21-460-2936	5344.000
5955-21-460-1770	5412.250
5955-21-460-1773	5542.667
5955-21-460-1960	5639.500
5955-21-460-2603	5671.666
5955-21-460-1897	6494.444
5955-21-460-1964	6572.222
5955-21-460-1961	6583.500
5955-21-460-2240	6605.555
5955-21-460-1896	6750.000
5955-21-460-2225	6800.000
5955-21-460-2093	6938.888
5955-21-460-1900	6961.111

(continued next column)

Table 105 Type CR-27/U (Contd)

NATO Stock No.	Crystal Freq Kc
5955-21-460-1965	7050.000
5955-21-460-2241	7116.666
5955-21-460-1899	7161.111
5955-21-460-1941	7383.333
5955-21-460-1966	7516.666
5955-21-460-2267	7538.888
5955-21-460-2242	7605.555
5955-21-460-1906	7616.666
5955-21-460-2461	7661.111
5955-21-460-2243	7694.444
5955-21-460-2244	7697.222
5955-21-460-2268	7700.000
5955-21-460-2091	7716.666
5955-21-460-2245	7730.555
5955-21-460-1903	7733.333
5955-21-460-2246	7747.222
5955-21-460-1901	7761.111
5955-21-460-2247	7777.777
5955-21-460-2248	7780.555
5955-21-460-1905	7794.444
5955-21-460-2249	7797.222
5955-21-460-2269	7805.555
5955-21-460-2095	7811.111
5955-21-460-2250	7830.555
5955-21-460-2251	7836.111
5955-21-460-1902	7855.555
5955-21-460-1942	7872.222
5955-21-460-2252	7922.222
5955-21-460-2253	7938.888
5955-21-460-2964	8000.000
5955-21-460-2270	8038.888
5955-21-460-2254	8050.000
5955-21-460-2255	8094.444
5955-21-460-2256	8361.111
5955-21-460-2257	8405.555
5955-21-460-2271	8483.333
5955-21-460-2258	8538.888
5955-21-460-2259	8583.333
5955-21-460-1943	8672.222
5955-21-460-2092	8761.111
5955-21-460-2260	8850.000
5955-21-460-2261	8894.444
5955-21-460-2272	8955.555
5955-21-460-2262	9072.222
5955-21-460-2263	9161.111
5955-21-460-2273	9330.555
5955-21-460-2264	9338.888
5955-21-460-1898	9427.777
5955-21-460-2532	9450.000

(continued next column)



RCN Catalogue of Materiel

5955

TABLES 105 TO 111

CRYSTAL UNITS, QUARTZ

Table 105 Type CR-27/U (Contd)

NATO Stock No.	Crystal Freq Kc
5955-21-460-2265	9472.222
5955-21-460-1944	9516.666
5955-21-460-3007	9572.222
5955-21-460-2274	9627.777
5955-21-460-1904	9694.444
5955-21-460-2266	9916.666
5955-21-460-2533	10005.55
5955-21-460-2278	10027.77
5955-21-460-2276	10050.00
5955-21-460-2462	10105.56
5955-21-460-1907	10116.67
5955-21-460-1968	10538.89
5955-21-460-2277	10650.00
5955-21-460-1945	10672.22
5955-21-460-2278	10694.44
5955-21-460-2279	10738.88
5955-21-460-2280	10827.77
5955-21-460-2968	11000.00
5955-21-460-2965	12000.00
5955-21-460-2969	13000.00
5955-21-460-2966	14000.00
5955-21-460-2970	17000.00
5955-21-460-2967	18000.00
5955-21-762-0023	10000.00

Table 107

CRYSTAL UNIT, QUARTZ: TYPE CR-28/U

Illustration No. 2

Dimensions: A: 0.755 max
 B: 0.350 max
 C: 0.775 max
 E: 0.248 max
 F: 0.052 max
 G: 0.494 max

Spec: MIL-C-3098B

NATOSC: 81349

Note: For listing by equipment and channel frequency see Tables 203, 231 and 233

NATO Stock No.	Crystal Freq Kc
5955-21-460-1989	833.3333
5955-21-460-2467	3600.000
5955-21-460-2476	4000.000

Table 109

CRYSTAL UNIT, QUARTZ: TYPE CR-32/U

Illustration No. 2

Dimensions: A: 0.755 max
 B: 0.350 max
 C: 0.775 max
 E: 0.248 max
 F: 0.052 max
 G: 0.494 max

Spec: MIL-C-3098B

NATOSC: 81349

Note: For listing by equipment and channel frequency see Tables 153, 159, 169 and 185

NATO Stock No.	Crystal Freq Mc
5955-21-460-1909	21.48889
5955-21-460-1969	21.80000
5955-21-460-1908	22.51111
5955-21-460-1912	23.35555
5955-21-460-1970	23.71111
5955-21-460-1911	24.15555
5955-21-460-1946	25.04444
5955-21-460-1971	25.57778
5955-21-460-2297	25.66666
5955-21-460-1918	25.97778
5955-21-460-2463	26.15556
5955-21-460-1915	26.44444
5955-21-460-1913	26.55555
5955-21-460-2130	26.66666
5955-21-460-1917	26.68889
5955-21-460-1972	26.75556
5955-21-460-1914	26.93333
5955-21-460-1947	27.00000
5955-21-460-2298	27.66666
5955-21-460-2129	27.77777
5955-21-460-2548	27.88888
5955-21-460-2128	28.88888
5955-21-460-2299	29.44444
5955-21-460-2127	30.00000
5955-21-460-1948	30.20000
5955-21-460-2549	30.91111
5955-21-460-2121	31.11111
5955-21-460-2300	31.33333
5955-21-460-2131	31.66666
5955-21-460-2120	32.22222
5955-21-460-2301	32.83333
5955-21-460-1910	33.22222
5955-21-460-2534	33.31111
5955-21-460-2119	33.33333
5955-21-460-1949	33.57778
5955-21-460-2909	33.80000

(continued next column)

Table 109 Type CR-32/U (Contd)

NATO Stock No.	Crystal Freq Mc
5955-21-460-2302	34.02222
5955-21-460-1916	34.28889
5955-21-460-2118	34.44444
5955-21-460-2126	35.00000
5955-21-460-2535	35.53333
5955-21-460-2117	35.55555
5955-21-460-2464	35.93333
5955-21-460-1919	35.97778
5955-21-460-2116	36.66666
5955-21-460-1973	37.66667
5955-21-460-2115	37.77777
5955-21-460-1950	38.20000
5955-21-460-2125	38.33333
5955-21-460-2114	38.88888
5955-21-460-2113	40.00000
5955-21-460-3210	40.08333
5955-21-460-3211	40.12500
5955-21-460-3212	40.16667
5955-21-460-3213	40.20833
5955-21-460-3214	40.25000
5955-21-460-3215	40.29167
5955-21-460-3216	40.33333
5955-21-460-3217	40.37500
5955-21-460-3218	40.41667
5955-21-460-3219	40.45833
5920-21-460-3220	40.50000
5955-21-460-3221	40.54167
5955-21-460-3222	40.58333
5955-21-460-3223	40.62500
5955-21-460-3224	40.66667
5955-21-460-3225	40.70833
5955-21-460-2112	41.11111
5955-21-460-2124	41.66666
5955-21-460-3226	41.70833
5955-21-460-2123	43.33333
5955-21-460-2122	45.00000

Table 111

CRYSTAL UNIT, QUARTZ: TYPE CR-36/U

Illustration No. 2

Dimensions: A: 0.755 max
 B: 0.350 max
 C: 0.775 max
 E: 0.248 max
 F: 0.052 max
 G: 0.494 max

Spec: MIL-C-3098B

NATOSC: 81349

Note: For listing by equipment and channel frequency see Table 211

NATO Stock No.	Crystal Freq Kc
5955-21-460-2740	1250.000



CRYSTAL UNITS, QUARTZ

Table 113

CRYSTAL UNIT, QUARTZ: TYPE
CR-37/U

Illustration No. 3

Dimensions: A: 0.755 max
 B: 0.350 max
 C: 1.526 max
 E: 0.248 max
 F: 0.052 max
 G: 0.494 max

Spec: MIL-C-3098B

NATOSC: 81349

Note: For listing by equipment and
 channel frequency see Tables 163,
 259 and 263

NATO Stock No.	Crystal Freq Kc
5955-21-460-2001	106.2000
5955-21-460-2002	115.3000
5955-21-460-2238	133.1500
5955-21-460-2800	174.0000
5955-21-460-2801	175.0000
5955-21-460-2802	176.0000

Table 117

CRYSTAL UNIT, QUARTZ: TYPE
CR-42/U

Illustration No. 3

Dimensions: A: 0.755 max
 B: 0.350 max
 C: 1.526 max
 E: 0.248 max
 F: 0.052 max
 G: 0.494 max

Spec: MIL-C-3098B

NATOSC: 81349

Note: For listing by equipment and
 channel frequency see Table 165

NATO Stock No.	Crystal Freq Kc
5955-21-460-2666	100.0000

Table 119

CRYSTAL UNIT, QUARTZ: TYPE
CR-46/U

Illustration No. 2

Dimensions: A: 0.755 max
 B: 0.350 max
 C: 0.775 max
 E: 0.248 max
 F: 0.052 max
 G: 0.494 max

Spec: MIL-C-3098B

NATOSC: 81349

Note: For listing by equipment and
 channel frequency see Table 173

NATO Stock No.	Crystal Freq Kc
5955-21-460-2214	323.5400

Table 115

CRYSTAL UNIT, QUARTZ: TYPE
CR-38/U

Illustration No. 3

Dimensions: A: 0.755 max
 B: 0.350 max
 C: 1.526 max
 E: 0.248 max
 F: 0.052 max
 G: 0.494 max

Spec: MIL-C-3098B

NATOSC: 81349

Note: For listing by equipment and
 channel frequency see Table 261

NATO Stock No.	Crystal Freq Kc
5955-21-460-1999	45.75000
5955-21-460-2468	86.50000
5955-21-460-2219	88.00000
5955-21-460-2469	89.50000
5955-21-460-2000	96.05000
5955-21-460-2223	96.50000

Table 121

CRYSTAL UNIT, QUARTZ: TYPE
CR-47/U

Illustration No. 2

Dimensions: A: 0.755 max
 B: 0.350 max
 C: 0.775 max
 E: 0.248 max
 F: 0.052 max
 G: 0.494 max

Spec: MIL-C-3098B

NATOSC: 81349

Note: For listing by equipment and
 channel frequency see Tables 195,
 235, 237 and 269

NATO Stock No.	Crystal Freq Kc
5955-21-460-3188	197.4500
5955-21-460-3187	198.0000
5955-21-460-3186	198.1000
5955-21-460-2972	287.000
5955-21-460-2651	316.8500

5955-21-460-2652	339.2500
5955-21-460-3096	334.7000
5955-21-460-3097	336.8500
5955-21-460-3095	343.8000
5955-21-460-3094	353.9500
5955-21-460-2596	376.4000

Table 123

CRYSTAL UNIT, QUARTZ: TYPE
CR-50/U

Illustration No. 3

Dimensions: A: 0.755 max
 B: 0.350 max
 C: 1.526 max
 E: 0.248 max
 F: 0.052 max
 G: 0.494 max

Spec: MIL-C-3098B

NATOSC: 81349

Note: For listing by equipment and
 channel frequency see Tables 179
 and 197

NATO Stock No.	Crystal Freq Kc
5955-21-460-2971	17.00000
5955-21-460-2808	96.10000
5955-21-460-2809	96.70000
5955-21-460-2807	97.30000



CRYSTAL UNITS, QUARTZ

Table 127

CRYSTAL UNIT, QUARTZ: TYPE CR-18/U

Illustration No. 2

Formula: $f_x = f_c - 9.72$

18

Use: AF/ICA-67 Radio Set

Spec: MIL-C-3098B

NATOSC: 81349

NATO Stock No.	Channel Freq Mc	Crystal Freq Kc
5955-21-460-0704	116.10	5910.000
5955-21-460-1877	116.46	5930.000
5955-21-460-1642	117.18	5970.000
5955-21-460-0705	117.90	6010.000
5955-21-460-1643	118.10	6021.111
5955-21-460-1333	119.10	6076.667
5955-21-460-0706	119.34	6090.000
5955-21-460-1334	119.50	6098.889
5955-21-460-1049	119.70	6110.000
5955-21-460-2574	120.30	6143.000
5955-21-460-0707	121.50	6210.000
5955-21-460-3235	121.60	6215.556
5955-21-460-1335	121.90	6232.222
5955-21-460-1337	122.10	6243.333
5955-21-460-1895	122.20	6248.889
5955-21-460-0708	122.22	6250.000
5955-21-460-1336	122.50	6265.556
5955-21-460-0709	124.02	6350.000
5955-21-460-0710	126.18	6470.000
5955-21-460-2760	126.20	6471.111
5955-21-460-2211	126.70	6498.888
5955-21-460-1154	128.70	6610.000
5955-21-460-1002	129.78	6670.000
5955-21-460-0711	131.58	6770.000
5955-21-460-1644	132.30	6810.000
5955-21-460-1003	133.20	6860.000
5955-21-460-2465	134.10	6910.000
5955-21-460-1645	134.46	6930.000
5955-21-460-0712	134.64	6940.000
5955-21-460-1188	135.00	6960.000
5955-21-460-1646	135.18	6970.000
5955-21-460-1048	135.54	6990.000
5955-21-460-2742	135.63	6995.000
5955-21-460-1004	135.90	7010.000
5955-21-460-2741	136.26	7030.000
5955-21-460-1005	136.80	7060.000
5955-21-460-1647	137.34	7090.000
5955-21-460-0713	137.70	7110.000
5955-21-460-1648	137.88	7120.000
5955-21-460-0714	138.78	7170.000
5955-21-460-1649	140.22	7250.000
5955-21-460-0715	140.58	7270.000

(continued next column)

Table 125

CRYSTAL UNIT, QUARTZ: TYPE

FT-243

Illustration No. 1

Dimensions: A: 0.812 B: 0.438

C: 1.172 E: 0.400

F: 0.093 G: 0.486

Spec: MIL

NATOSC: 81349

Note: For listing by equipment and channel frequency see Tables 175, 251, 277, 281, 289, 295, 299 and 303

NATO Stock No.	Crystal Freq Kc
5955-21-460-2100	1365.625
5955-21-460-2027	1497.000
5955-21-460-2099	1887.500
5955-21-460-2193	2063.750
5955-21-460-2199	2106.200
5955-21-460-2198	2200.000
5955-21-460-0956	2300.000
5955-21-460-2283	2348.500
5955-21-460-0954	2400.000
5955-21-460-0955	2450.000
5955-21-460-0953	2500.000
5955-21-460-2101	2576.875
5955-21-460-2526	2665.000
5955-21-460-2527	2808.750
5955-21-460-2177	2996.750
5955-21-460-1840	3030.250
5955-21-460-1720	3177.500
5955-21-460-1717	3194.000
5955-21-460-2232	3200.000
5955-21-460-2079	3232.500
5955-21-460-2044	3792.500
5955-21-460-2178	4072.000
5955-21-460-2176	4077.000
5955-21-460-2179	4131.000
5955-21-460-2078	4380.000
5955-21-460-2082	4403.000
5955-21-460-2233	4408.000
5955-21-460-1719	4745.000
5955-21-460-2080	4787.500
5955-21-460-2098	4853.750
5955-21-460-2081	5023.000
5955-21-460-2234	6506.250



CRYSTAL UNITS, QUARTZ

Table 127 Type CR-18/U (Contd)

NATO Stock No.	Channel Freq Mc	Crystal Freq Kc
5955-21-460-1762	140.76	7280.000
5955-21-460-0716	141.12	7300.000
5955-21-460-1650	141.48	7320.000
5955-21-460-1878	141.66	7330.000
5955-21-460-0717	142.02	7350.000
5955-21-460-0718	142.56	7380.000
5955-21-460-0719	142.74	7390.000
5955-21-460-0720	143.28	7420.000
5955-21-460-1651	143.64	7440.000
5955-21-460-1652	144.00	7460.000
5955-21-460-0721	145.80	7560.000
5955-21-460-1653	151.56	7880.000

Table 129

CRYSTAL UNIT, QUARTZ: TYPE CR-1A/AR

Illustration No. 1

Formula: $f_x = f_c - 9.72$
18Use: AN/ARC-ICA, AN/ARC-1 and AN/ARC-1A
Radio Sets

Spec: MIL-C-16C

NATOSC: 81349

NATO Stock No.	Channel Freq Mc	Crystal Freq Kc
5955-21-460-2096	116.46	5930.00
5955-21-460-1654	117.18	5970.00
5955-21-460-1655	118.10	6021.11
5955-21-460-1204	119.10	6076.67
5955-21-460-1205	119.50	6098.89
5955-21-460-1050	119.70	6110.00
5955-21-460-2818	120.50	6154.44
5955-21-460-0556	121.50	6210.00
5955-21-460-3236	121.60	6215.55
5955-21-460-1339	121.90	6232.22
5955-21-460-1341	122.10	6243.33
5955-21-460-1894	122.20	6248.89
5955-21-460-0557	122.22	6250.00
5955-21-460-1340	122.50	6265.56
5955-21-460-2530	123.10	6298.89
5955-21-460-0559	126.18	6470.00
5955-21-460-2759	126.20	6471.11
5955-21-460-1938	126.70	6498.89
5955-21-460-0998	129.78	6670.00
5955-21-460-1656	132.30	6810.00
5955-21-460-0999	133.20	6860.00
5955-21-460-2586	133.56	6880.00
5955-21-460-2466	134.10	6910.00

(continued next column)

Table 129 Type CR-1A/AR (Contd)

NATO Stock No.	Channel Freq Mc	Crystal Freq Kc
5955-21-460-1657	134.46	6930.00
5955-21-460-0562	134.64	6940.00
5955-21-460-1189	135.00	6960.00
5955-21-460-1658	135.18	6970.00
5955-21-460-1047	135.54	6990.00
5955-21-460-2744	135.63	6995.00
5955-21-460-1000	135.90	7010.00
5955-21-460-2743	136.26	7030.00
5955-21-460-1001	136.80	7060.00
5955-21-460-1659	137.34	7090.00
5955-21-460-0563	137.70	7110.00
5955-21-460-1660	137.88	7120.00
5955-21-460-0564	138.78	7170.00
5955-21-460-1748	138.96	7180.00
5955-21-460-2309	139.50	7210.00
5955-21-460-2310	139.86	7230.00
5955-21-460-1661	140.22	7250.00
5955-21-460-0565	140.58	7270.00
5955-21-460-1749	140.76	7280.00
5955-21-460-1153	141.48	7320.00
5955-21-460-1876	141.66	7330.00
5955-21-460-0567	142.02	7350.00
5955-21-460-0569	142.74	7390.00
5955-21-460-0570	143.28	7420.00
5955-21-460-0573	145.80	7560.00
5955-21-460-0574	146.16	7580.00
5955-21-460-0575	148.32	7700.00
5955-21-460-0576	151.56	7880.00
5955-21-460-0577	IF	9720.00



CRYSTAL UNITS, QUARTZ

Table 131

CRYSTAL UNIT, QUARTZ: TYPE CR-1A/AR

Illustration No. 1

Formula: 100 to 108 Mc	$fx = fc - 12 \times 1000$	11
108 to 116 Mc	$fx = fc - 12 \times 1000$	12
116 to 124 Mc	$fx = fc - 12 \times 1000$	13
124 to 132 Mc	$fx = fc - 12 \times 1000$	14
132 to 140 Mc	$fx = fc - 12 \times 1000$	15
140 to 148 Mc	$fx = fc - 12 \times 1000$	16
148 to 156 Mc	$fx = fc - 12 \times 1000$	17
156 Mc and above	$fx = fc - 12 \times 1000$	18

Use: AN/ARC-3, SCR-522, TR5043 and 65M Receivers

Spec: MIL-C-16C

NATOSC: 81349

NATO Stock No.	Channel Freq Mc	Crystal Freq Kc
5955-21-460-2188	116.10	8007.69
5955-21-460-2437	117.18	8090.77
5955-21-460-2440	117.90	8146.15
5955-21-460-2448	119.34	8256.92
5955-21-460-2472	119.50	8269.23
5955-21-460-2450	119.70	8284.62
5955-21-460-2820	120.50	8346.15
5955-21-460-2192	121.50	8423.08
5955-21-460-2473	121.90	8453.84
5955-21-460-2458	122.20	8476.92
5955-21-460-2459	122.22	8478.46
5955-21-460-2432	124.02	8001.43
5955-21-460-2190	126.18	8155.71
5955-21-460-2757	126.20	8157.14
5955-21-460-2213	126.70	8192.86
5955-21-460-2452	128.70	8335.71
5955-21-460-2460	131.58	8541.43
5955-21-460-2434	132.30	8020.00
5955-21-460-2436	133.20	8080.00
5955-21-460-2312	134.10	8140.00
5955-21-460-2443	134.64	8176.00
5955-21-460-2449	135.90	8260.00
5955-21-460-2404	136.80	8320.00
5955-21-460-2191	137.70	8380.00
5955-21-460-2455	137.88	8392.00
5955-21-460-2456	138.78	8452.00
5955-21-460-2457	138.96	8464.00
5955-21-460-2189	140.58	8036.25
5955-21-460-2435	141.12	8070.00
5955-21-460-2438	141.66	8103.75

(continued next column)

Table 131 Type CR-1A/AR (Contd)

NATO Stock No.	Channel Freq Mc	Crystal Freq Kc
5955-21-460-2439	142.02	8126.25
5955-21-460-2441	142.56	8160.00
5955-21-460-2444	143.28	8205.00
5955-21-460-2446	143.60	8227.50
5955-21-460-2447	144.00	8250.00
5955-21-460-2442	143.74	8171.25
5955-21-460-2453	145.80	8362.50
5955-21-460-2454	146.16	8385.00
5955-21-460-2433	148.32	8018.82
5955-21-460-2445	151.56	8209.41
5955-21-460-2451	153.18	8304.71

Table 133

CRYSTAL UNIT, QUARTZ: TYPE CR-1A/AR

Illustration No. 1

Formula: $fx = fc \times 1000$

18

Use: AN/ARC-3, SCR-522, TR5043 and 86M Transmitters

Spec: MIL-C-16C

NATOSC: 81349

NATO Stock No.	Channel Freq Mc	Crystal Freq Kc
5955-21-460-2183	116.10	6450.00
5955-21-460-2405	117.18	6510.00
5955-21-460-2406	117.90	6550.00
5955-21-460-2407	119.34	6630.00
5955-21-460-2474	119.50	6638.89
5955-21-460-2408	119.70	6650.00
5955-21-460-2819	120.50	6694.44
5955-21-460-2184	121.50	6750.50
5955-21-460-2475	121.90	6772.22
5955-21-460-2409	122.20	6788.89
5955-21-460-2410	122.22	6790.00
5955-21-460-2411	124.02	6890.00
5955-21-460-1000	126.18	7010.00
5955-21-460-2758	126.20	7011.11
5955-21-460-2212	126.70	7038.89
5955-21-460-2412	128.70	7150.00
5955-21-460-2413	131.58	7310.00
5955-21-460-0567	132.30	7350.00
5955-21-460-2414	133.20	7400.00
5955-21-460-2311	134.10	7450.00
5955-21-460-2415	134.64	7480.00
5955-21-460-2416	135.90	7550.00
5955-21-460-2403	136.80	7600.00
5955-21-460-2185	137.70	7650.00
5955-21-460-2417	137.88	7660.00
5955-21-460-2418	138.78	7710.00

(continued next column)



CRYSTAL UNITS, QUARTZ

Table 133 Type CR-1A/AR (Contd)

NATO Stock No.	Channel Freq	Crystal Freq
	Mc	Kc
5955-21-460-2419	138.96	7720.00
5955-21-460-2186	140.58	7810.00
5955-21-460-2420	141.12	7840.00
5955-21-460-2421	141.66	7870.00
5955-21-460-2422	142.02	7890.00
5955-21-460-2423	142.56	7920.00
5955-21-460-2187	142.74	7930.00
5955-21-460-2424	143.28	7960.00
5955-21-460-2425	143.64	7980.00
5955-21-460-2426	144.00	8000.00
5955-21-460-2427	145.80	8100.00
5955-21-460-2428	146.16	8120.00
5955-21-460-2429	148.32	8240.00
5955-21-460-2430	151.56	8420.00
5955-21-460-2431	153.18	8510.00

Table 134

CRYSTAL UNIT, QUARTZ: TYPE CR-18/U

Illustration No. 2

Use: AN/ARC-27 Receiver

Spec: MIL-C-3098B

NATOSC: 81349

Note: No channel frequency

NATO Stock No.	Crystal Freq Kc
5955-21-762-0000	3450.000
5955-21-762-0001	8250.000
5955-21-762-0002	8350.000
5955-21-762-0003	8450.000
5955-21-762-0004	8550.000
5955-21-762-0005	8650.000
5955-21-762-0006	8750.000
5955-21-762-0007	8850.000
5955-21-762-0008	8950.000
5955-21-762-0009	9050.000
5955-21-762-0010	9150.000
5955-21-762-0011	15950.00

Table 134-1

CRYSTAL UNIT, QUARTZ: TYPE CR-23/U

Illustration No. 2

Use: AN/ARC-27 Receiver

Spec: MIL-C-3098B

NATOSC: 81349

Note: No channel frequency

NATO Stock No.	Crystal Freq Mc
5955-21-762-0012	25.70000
5955-21-762-0013	26.70000
5955-21-762-0014	27.70000
5955-21-762-0015	28.70000
5955-21-762-0016	29.70000
5955-21-762-0017	30.70000
5955-21-762-0018	31.70000
5955-21-762-0019	32.70000
5955-21-762-0020	33.70000
5955-21-762-0021	34.70000
5955-21-762-0022	37.26660

Table 134-2

CRYSTAL UNIT, QUARTZ: TYPE CR-27/U

Illustration No. 2

Use: AN/ARC-27 Receiver

Spec: MIL-C-3098B

NATOSC: 81349

Note: No channel frequency

NATO Stock No.	Crystal Freq Kc
5955-21-762-0023	10000.00



RCN Catalogue of Materiel

TABLES 133 TO 139

CRYSTAL UNITS, QUARTZ

Table 135

CRYSTAL UNIT, QUARTZ: TYPE CR-18/U

Illustration No. 2

Formula: $f_x = f_c - 12MC$

H	Channel Freq Mc	Crystal Freq Kc
100 to 107.999	Mc = 11	
108 to 115.999	Mc = 12	
116 to 123.999	Mc = 13	
124 to 131.999	Mc = 14	
132 to 139.999	Mc = 15	
140 to 147.999	Mc = 16	
148 to 156.000	Mc = 17	

Use: AN/ARC-502 Receiver

Spec: MIL-C-3098B

NATOSC: 81349

NATO Stock No.	Channel Freq Mc	Crystal Freq Kc
5955-21-460-2887	119.30	8253.346
5955-21-460-2876	119.50	8958.333
5955-21-460-2880	119.70	8284.615
5955-21-460-2870	119.90	8300.000
5955-21-460-2822	120.50	8346.153
5955-21-460-2885	120.60	8353.846
5955-21-460-2877	121.50	8423.076
5955-21-460-2866	121.90	8453.846
5955-21-460-2879	122.20	8476.923
5955-21-460-2872	123.70	8592.307
5955-21-460-2875	126.20	8157.142
5955-21-460-2873	126.70	8192.857
5955-21-460-2869	132.30	8020.000
5955-21-460-2865	133.20	8080.000
5955-21-460-2878	134.10	8140.000
5955-21-460-2881	135.90	8260.000
5955-21-460-2871	136.80	8320.000
5955-21-460-2874	137.70	8380.000
5955-21-460-2864	137.88	8392.000
5955-21-460-2884	138.78	8452.000
5955-21-460-2886	140.58	8036.250
5955-21-460-2882	141.12	8070.000
5955-21-460-2867	142.02	8126.250
5955-21-460-2868	142.74	8171.250
5955-21-460-2883	143.28	8205.000

Table 137

CRYSTAL UNIT, QUARTZ: TYPE CR-18/U

Illustration No. 2

Formula: $f_x = f_c$
18

Use: AN/ARC-502 Transmitter

Spec: MIL-C-3098B

NATOSC: 81349

NATO Stock No.	Channel Freq Mc	Crystal Freq Kc
5955-21-460-2907	119.30	6627.777
5955-21-460-2898	119.50	6638.888

(continued next column)

Table 137 Type CR-18/U (Contd)

NATO Stock No.	Channel Freq Mc	Crystal Freq Kc
5955-21-460-2901	119.70	6650.000
5955-21-460-2893	119.90	6661.111
5955-21-460-2821	120.50	6694.444
5955-21-460-2905	120.60	6700.000
5955-21-460-2899	121.50	6750.000
5955-21-460-2890	121.90	6772.222
5955-21-460-2900	122.20	6788.888
5955-21-460-2895	123.70	6872.222
5955-21-460-2897	126.20	7011.111
5955-21-460-2896	126.70	7038.888
5955-21-460-0717	132.30	7350.000
5955-21-460-2889	133.20	7400.000
5955-21-460-2145	134.10	7450.000
5955-21-460-2146	135.90	7550.000
5955-21-460-2894	136.80	7600.000
5955-21-460-2147	137.70	7650.000
5955-21-460-2888	137.88	7660.000
5955-21-460-2904	138.78	7710.000
5955-21-460-2906	140.58	7810.000
5955-21-460-2902	141.12	7840.000
5955-21-460-2891	142.02	7890.000
5955-21-460-2892	142.74	7930.000
5955-21-460-2903	143.28	7960.000

Table 139

CRYSTAL UNIT, QUARTZ: TYPE

CR-23/U

Illustration No. 2

Use: AN/ARN-21B Radio Set

Spec: MIL-C-3098B

NATOSC: 81349

Note: No channel frequency

NATO Stock No.	Crystal Freq Mc
5955-21-460-2605	39.51852
5955-21-460-2606	39.55556
5955-21-460-2607	39.59259
5955-21-460-2608	39.62963
5955-21-460-2609	39.66667
5955-21-460-2610	39.70370
5955-21-460-2611	39.74074
5955-21-460-2612	39.77778
5955-21-460-2613	39.81482
5955-21-460-2614	39.85185
5955-21-460-2615	39.88889
5955-21-460-2616	39.92593
5955-21-460-2617	39.96296
5955-21-460-2618	40.03704
5955-21-460-2619	40.07407

(continued next column)

CRYSTAL UNITS, QUARTZ

Table 139 Type CR-23/U (Contd)

NATO Stock No.	Crystal Freq Mc
5955-21-460-2620	40.11111
5955-21-460-2621	40.14815
5955-21-460-2622	40.18519
5955-21-460-2623	40.22222
5955-21-460-2624	40.25926
5955-21-460-2625	40.29630
5955-21-460-2626	40.33333
5955-21-460-2627	40.37037
5955-21-460-2628	40.40741
5955-21-460-2629	40.44444
5955-21-460-2630	40.48148
5955-21-460-2631	40.51852
5955-21-460-2632	40.55556
5955-21-460-2633	40.59259
5955-21-460-2634	40.62963
5955-21-460-2635	40.66667
5955-21-460-2636	40.70370
5955-21-460-2637	40.74074
5955-21-460-2638	40.77778
5955-21-460-2639	40.81482
5955-21-460-2640	40.85185
5955-21-460-2641	40.88889
5955-21-460-2642	40.92593
5955-21-460-2643	40.96296
5955-21-460-2644	41.00000
5955-21-460-2645	41.03704
5955-21-460-2604	42.00000

Table 141

CRYSTAL UNIT, QUARTZ: TYPE CR-2B/U

Use: AN/ART-13 Transmitter

Spec: MIL

NATOSC: 81349

NATO Stock No.	Channel Freq Kc	Crystal Freq Kc
5955-21-460-0893		200

Table 143

CRYSTAL UNIT, QUARTZ: TYPE CR-27/U

Illustration No. 2

Formula: $f_x = 2N - (f_c - 1500 \text{ cps}) + 0.270 \text{ Mc}$

N = 4 low frequency

N = 12 high frequency

Use: AN/FRT-39 Transmitter

Spec: MIL-C-3098B

NATOSC: 81349

NATO Stock No.	Channel Freq Kc	Crystal Freq Kc
5955-21-460-3197	5948	2053.777
5955-21-460-3198	20905	3096.777

Table 145

CRYSTAL UNIT, QUARTZ: TYPE CR-18/U

Illustration No. 2

Use: AN/FRT-501 Transmitter

Spec: MIL-C-3098B

NATOSC: 81349

NATO Stock No.	Channel Freq Kc	Crystal Freq Kc
5955-21-460-2709	5785	2892.500
5955-21-460-3113	9405	4702.500
5955-21-460-2716	12097.5	3024.375

Table 147

CRYSTAL UNIT, QUARTZ: TYPE CR-27/U

Illustration No. 2

Use: AN/FRT-507 Transmitter

Spec: MIL-C-3098B

NATOSC: 81349

NATO Stock No.	Channel Freq Kc	Crystal Freq Kc
5955-21-460-3107	3081	3351.000
5955-21-460-3108	4745.5	3524.500

Table 149

CRYSTAL UNIT, QUARTZ: TYPE
CR-18/U

Illustration No. 2

Use: AN/GRC-27 (Receiver
R-278C/GR)

Spec: MIL-C-3098B

NATOSC: 81349

Note: No channel frequency

NATO Stock No.	Crystal Freq Kc
5955-21-460-2142	6950.000
5955-21-460-2143	7050.000
5955-21-460-2144	7150.000
5955-21-460-2145	7450.000
5955-21-460-2146	7550.000
5955-21-460-2147	7650.000
5955-21-460-2148	7750.000
5955-21-460-2149	7850.000



CRYSTAL UNITS, QUARTZ

Table 151

CRYSTAL UNIT, QUARTZ: TYPE

CR-23/U

Illustration No. 2

Use: AN/GRC-27 (Receiver)
R-278C/GR)

Spec: MIL-C-3098B

NATOSC: 81349

Note: No channel frequency

NATO Stock No.	Crystal Freq Mc
5955-21-460-2169	31.00000
5955-21-460-2168	32.00000
5955-21-460-2167	33.00000
5955-21-460-2166	34.00000
5955-21-460-2165	35.00000
5955-21-460-2164	36.00000
5955-21-460-2163	37.00000
5955-21-460-2162	38.00000
5955-21-460-2161	39.00000
5955-21-460-2160	40.00000

Table 153

CRYSTAL UNIT, QUARTZ: TYPE

CR-32/U

Illustration No. 2

Use: AN/GRC-27 (Receiver)
R-278C/GR)

Spec: MIL-C-3098B

NATOSC: 81349

Note: No channel frequency

NATO Stock No.	Crystal Freq Mc
5955-21-460-2130	26.66666
5955-21-460-2129	27.77777
5955-21-460-2128	28.88888
5955-21-460-2127	30.00000
5955-21-460-2121	31.11111
5955-21-460-2131	31.66666
5955-21-460-2120	32.22222
5955-21-460-2119	33.33333
5955-21-460-2118	34.44444
5955-21-460-2126	35.00000
5955-21-460-2117	35.55555
5955-21-460-2116	36.66666
5955-21-460-2115	37.77777
5955-21-460-2125	38.33333
5955-21-460-2114	38.88888

Table 155

CRYSTAL UNIT, QUARTZ: TYPE

CR-18/U

Illustration No. 2

Use: AN/GRC-27 (Transmitter)
T-217B/GR)

Spec: MIL-C-3098B

NATOSC: 81349

Note: No channel frequency

NATO Stock No.	Crystal Freq Kc
5955-21-460-2141	1994.000
5955-21-460-2140	2094.000
5955-21-460-2139	2194.000
5955-21-460-2138	2294.000
5955-21-460-2137	2394.000
5955-21-460-2136	2494.000
5955-21-460-2135	2594.000
5955-21-460-2134	2694.000
5955-21-460-2133	2794.000
5955-21-460-2132	2894.000

Table 157

CRYSTAL UNIT, QUARTZ: TYPE

CR-23/U

Illustration No. 2

Use: AN/GRC-27 (Transmitter)
T-217B/GR)

Spec: MIL-C-3098B

NATOSC: 81349

Note: No channel frequency

NATO Stock No.	Crystal Freq Mc
5955-21-460-2150	18.00600
5955-21-460-2151	19.00600
5955-21-460-2152	20.00600
5955-21-460-2153	21.00600
5955-21-460-2154	22.00600
5955-21-460-2155	23.00600
5955-21-460-2156	24.00600
5955-21-460-2157	25.00600
5955-21-460-2158	26.00600
5955-21-460-2159	27.00600

Table 159

CRYSTAL UNIT, QUARTZ: TYPE

CR-32/U

Illustration No. 2

Use: AN/GRC-27 (Transmitter)
T-217B/GR)

Spec: MIL-C-3098B

NATOSC: 81349

Note: No channel frequency

NATO Stock No.	Crystal Freq Mc
5955-21-460-2121	31.11111
5955-21-460-2120	32.22222
5955-21-460-2119	33.33333
5955-21-460-2118	34.44444
5955-21-460-2126	35.00000
5955-21-460-2117	35.55555
5955-21-460-2116	36.66666
5955-21-460-2115	37.77777
5955-21-460-2125	38.33333
5955-21-460-2114	38.88888
5955-21-460-2113	40.00000
5955-21-460-2112	41.11111
5955-21-460-2124	41.66666
5955-21-460-2123	43.33333
5955-21-460-2122	45.00000

CRYSTAL UNITS, QUARTZ

Table 161

CRYSTAL UNIT, QUARTZ: TYPE
CR-27/U

Illustration No. 2

Use: AN/GRD-501 Direction Finder

Spec: MIL-C-3098B

NATOSC: 81349

NATO Stock No.	Channel Freq Kc	Crystal Freq Kc
5955-21-460-2656	1825	1825.000
5955-21-460-2657	2000	2000.000

Table 163

CRYSTAL UNIT, QUARTZ: TYPE
CR-37/U

Illustration No. 3

Use: AN/GRD-501 Direction Finder

Spec: MIL-C-3098B

NATOSC: 81349

Note: No channel frequency

NATO Stock No.	Crystal Freq Kc
5955-21-460-2800	174.0000
5955-21-460-2801	175.0000
5955-21-460-2802	176.0000

Table 165

CRYSTAL UNIT, QUARTZ: TYPE
CR-42/U

Illustration No. 3

Use: AN/GRD-501 Direction Finder

Spec: MIL-C-3098B

NATOSC: 81349

NATO Stock No.	Channel Freq Kc	Crystal Freq Kc
5955-21-460-2666	100	100.0000

Table 167

CRYSTAL UNIT, QUARTZ: TYPE
CR-23/U

Illustration No. 2

Use: AN/GRR-7 Receiver

Spec: MIL-C-3098B

NATOSC: 81349

Note: No channel frequency

NATO Stock No.	Crystal Freq Mc
5955-21-460-1814	34.40000

Table 169

CRYSTAL UNIT, QUARTZ: TYPE CR-32/U
Illustration No. 2Formula: $f_x = f_c - 40.4$

9

Use: AN/GRR-7 Receiver

Spec: MIL-C-3098B

NATOSC: 81349

NATO Stock No.	Channel Freq Mc	Crystal Freq Mc
5955-21-460-1909	233.8	21.48889
5955-21-460-1969	236.6	21.80000
5955-21-460-1908	243.0	22.51111
5955-21-460-1912	250.6	23.35555
5955-21-460-1970	253.8	23.71111
5955-21-460-1911	257.8	24.15555
5955-21-460-1946	265.8	25.04444
5955-21-460-1971	270.6	25.57778
5955-21-460-2297	271.4	25.66666
5955-21-460-1918	274.2	25.97778
5955-21-460-2463	275.8	26.15556
5955-21-460-1915	278.4	26.44444
5955-21-460-1913	279.4	26.55555
5955-21-460-1917	280.6	26.68889
5955-21-460-1972	281.2	26.75556
5955-21-460-1914	282.8	26.93333
5955-21-460-1947	283.4	27.00000
5955-21-460-2298	289.4	27.66666
5955-21-460-2548	291.4	27.88888
5955-21-460-2299	305.4	29.44444
5955-21-460-1948	312.2	30.20000
5955-21-460-2549	318.6	30.91111
5955-21-460-2300	322.4	31.33333
5955-21-460-2301	335.9	32.83333
5955-21-460-1910	339.4	33.22222
5955-21-460-2534	340.2	33.31111
5955-21-460-1949	342.6	33.57778
5955-21-460-2909	344.6	33.80000
5955-21-460-2302	346.6	34.02222
5955-21-460-1916	349.0	34.28889
5955-21-460-2535	360.2	35.53333
5955-21-460-2464	363.8	35.93333
5955-21-460-1919	364.2	35.97778
5955-21-460-1973	379.4	37.66667
5955-21-460-1950	384.2	38.20000



CRYSTAL UNITS, QUARTZ

Table 171

CRYSTAL UNIT, QUARTZ: TYPE CR-27/U

Illustration No. 2

Formula: $f_x = f_c$
36

Use: AN/GRT-E Transmitter

Spec: MIL-C-3098B

NATOSC: 81349

NATO Stock No.	Channel Freq Mc	Crystal Freq Kc
5955-21-460-1897	233.8	6494.444
5955-21-460-1964	236.6	6572.222
5955-21-460-2240	237.8	6605.555
5955-21-460-1896	243.0	6750.000
5955-21-460-2093	249.8	6938.888
5955-21-460-1900	250.6	6961.111
5955-21-460-1965	253.8	7050.000
5955-21-460-2241	256.2	7116.666
5955-21-460-1899	257.8	7161.111
5955-21-460-1941	265.8	7383.333
5955-21-460-1966	270.6	7516.666
5955-21-460-2267	271.4	7538.888
5955-21-460-2242	273.8	7605.555
5955-21-460-1906	274.2	7616.666
5955-21-460-2461	275.8	7661.111
5955-21-460-2243	277.0	7694.444
5955-21-460-2244	277.1	7697.222
5955-21-460-2268	277.2	7700.000
5955-21-460-2091	277.8	7716.666
5955-21-460-2245	278.3	7730.555
5955-21-460-1903	278.4	7733.333
5955-21-460-2246	278.9	7747.222
5955-21-460-1901	279.4	7761.111
5955-21-460-2247	280.0	7777.777
5955-21-460-2248	280.1	7780.555
5955-21-460-1905	280.6	7794.444
5955-21-460-2249	280.7	7797.222
5955-21-460-2269	281.0	7805.555
5955-21-460-2095	281.2	7811.111
5955-21-460-2250	281.9	7830.555
5955-21-460-2251	282.1	7836.111
5955-21-460-1902	282.8	7855.555
5955-21-460-1942	283.4	7872.222
5955-21-460-2252	285.2	7922.222
5955-21-460-2253	285.5	7938.888
5955-21-460-2270	289.4	8038.888
5955-21-460-2254	289.8	8050.000
5955-21-460-2255	291.4	8094.444
5955-21-460-2256	301.0	8361.111
5955-21-460-2257	302.6	8405.555
5955-21-460-2271	305.4	8483.333
5955-21-460-2258	307.4	8538.888

(continued next column)

Table 171 Type CR-27/U (Contd)

NATO Stock No.	Channel Freq Mc	Crystal Freq Kc
5955-21-460-2259	309.0	8583.333
5955-21-460-1943	312.2	8672.222
5955-21-460-2092	315.4	8761.111
5955-21-460-2260	318.6	8850.000
5955-21-460-2261	320.2	8894.444
5955-21-460-2272	322.4	8955.555
5955-21-460-2262	326.6	9072.222
5955-21-460-2263	329.8	9161.111
5955-21-460-2273	335.9	9330.555
5955-21-460-2264	336.2	9338.888
5955-21-460-1898	339.4	9427.777
5955-21-460-2532	340.2	9450.000
5955-21-460-2265	341.0	9472.222
5955-21-460-1944	342.6	9516.666
5955-21-460-3007	344.6	9572.222
5955-21-460-2274	346.6	9627.777
5955-21-460-1904	349.0	9694.444
5955-21-460-2266	357.0	9916.666
5955-21-460-2533	360.2	10005.55
5955-21-460-2275	361.0	10027.77
5955-21-460-2276	361.8	10050.00
5955-21-460-2462	363.8	10105.56
5955-21-460-1907	364.2	10116.67
5955-21-460-1968	379.4	10538.89
5955-21-460-2277	383.4	10650.00
5955-21-460-1945	384.2	10672.22
5955-21-460-2278	385.0	10694.44
5955-21-460-2279	386.6	10738.88
5955-21-460-2280	389.8	10827.77

Table 173

CRYSTAL UNIT, QUARTZ: TYPE

CR-46/U

Illustration No. 2

Use: AN/SPM-501 Calibrator Set

Spec: MIL-C-3098B

NATOSC: 81349

Note: No channel Frequency

NATO Stock No.	Crystal Freq Kc
5955-21-460-2214	323.5400



CRYSTAL UNITS, QUARTZ

Table 175

CRYSTAL UNIT, QUARTZ: TYPE

FT-243

Illustration No. 1

Use: AN/SPN-7 Radar

Spec: MIL

NATOSC: 81349

Note: No channel frequency

NATO Stock No.	Crystal Freq Kc
5955-21-460-0956	2300.000
5955-21-460-0954	2400.000
5955-21-460-0955	2450.000
5955-21-460-0953	2500.000

Table 177

CRYSTAL UNIT, QUARTZ: TYPE

CR-38/U

Illustration No. 3

Use: AN/SQS-503 Sonar

Spec: MIL-C-3098B

NATOSC: 81349

Note: No channel frequency

NATO Stock No.	Crystal Freq Kc
5955-21-460-2468	86.50000
5955-21-460-2219	88.00000
5955-21-460-2469	89.50000
5955-21-460-2223	96.50000

Table 179

CRYSTAL UNIT, QUARTZ: TYPE

CR-50/U

Illustration No. 3

Use: AN/SQS-503 Sonar

Spec: MIL-C-3098B

NATOSC: 81349

Note: No channel frequency

NATO Stock No.	Crystal Freq Kc
5955-21-460-2808	96.10000
5955-21-460-2809	96.70000
5955-21-460-2807	97.30000

Table 181

CRYSTAL UNIT, QUARTZ: TYPE CR-18/U

Illustration No. 2

Formula: $f_x = f_c + 455$

Use: AN/SRC-501 Receiver

Spec: MIL-C-3098B

NATOSC: 81349

NATO Stock No.	Channel Freq Kc	Crystal Freq Kc
5955-21-460-1264	2000	2455.000
5955-21-460-1271	2110	2573.000
5955-21-460-1274	2182	2637.000
5955-21-460-1273	2252	2707.000
5955-21-460-2842	2436	2891.000
5955-21-460-2844	2554	3009.000
5955-21-460-2846	2673	3128.000
5955-21-460-1992	3023.5	3478.500
5955-21-460-2848	3345	3800.000
5955-21-460-2850	3366	3821.000
5955-21-460-1266	4000	4455.000

Table 183

CRYSTAL UNIT, QUARTZ: TYPE CR-18/U

Illustration No. 2

Formula: $f_x = f_c$

Use: AN/SRC-501 Transmitter

Spec: MIL-C-3098B

NATOSC: 81349

NATO Stock No.	Channel Freq Kc	Crystal Freq Kc
5955-21-460-1098	2000	2000.000
5955-21-460-1267	2118	2118.000
5955-21-460-1270	2182	2182.000
5955-21-460-1269	2252	2252.000
5955-21-460-2841	2436	2436.000
5955-21-460-2843	2554	2554.000
5955-21-460-2845	2673	2673.000
5955-21-460-1991	3023.5	3023.500
5955-21-460-2847	3345	3345.000
5955-21-460-2849	3366	3366.000

Table 185

CRYSTAL UNIT, QUARTZ: TYPE

CR-32/U

Illustration No. 2

Use: AN/SRN-6A Radio Set

Spec: MIL-C-3098B

NATOSC: 81349

Note: No channel frequency

NATO Stock No.	Crystal Freq Mc
E 5955-21-460-3210	40.08333
E 5955-21-460-3211	40.12500

(continued next column)



CRYSTAL UNITS, QUARTZ

Table 185 Type CR-32/U (Contd)

NATO Stock No.	Crystal Freq Mc
5955-21-460-3212	40.16667
5955-21-460-3213	40.20833
5955-21-460-3214	40.25000
5955-21-460-3215	40.29167
5955-21-460-3216	40.33333
5955-21-460-3217	40.37500
5955-21-460-3218	40.41667
5955-21-460-3219	40.45833
5955-21-460-3220	40.50000
5955-21-460-3221	40.54167
5955-21-460-3222	40.58333
5955-21-460-3223	40.62500
5955-21-460-3224	40.66667
5955-21-460-3225	40.70833
5955-21-460-3226	41.70833

Table 187

CRYSTAL UNIT, QUARTZ: TYPE CR-18/U

Illustration No. 2

Formula:	fx = fc
3.0 to 6.0 Mc	2
3.0 to 12.0 Mc	4
12.0 to 24.0 Mc	8
24.0 to 28.0 Mc	12

Use: AN/SRT-502 Transmitter

Spec: MIL-C-3098B

NATOSC: 81349

NATO Stock No.	Channel Freq Kc	Crystal Freq Kc
5955-21-460-2810	454	454.0000
5955-21-460-1601	2844	1422.000
5955-21-460-3203	3046	1523.000
5955-21-460-2811	3053	1526.500
5955-21-460-2812	3060	1530.000
5955-21-460-1603	3116	1558.000
5955-21-460-0640	3130	1565.000
5955-21-460-3087	3151	1575.500
5955-21-460-2004	3850	1925.000
5955-21-460-2941	4142	2071.000
5955-21-460-2942	4176	2088.000
5955-21-460-1608	4178	2089.000
5955-21-460-1732	4212	2106.000
5955-21-460-1734	4236.5	2118.250
5955-21-460-2813	5703	2851.500
5955-21-460-1625	5718	2859.000
5955-21-460-2938	6213	1553.250

(continued next column)

Table 187 Type CR-18/U (Contd)

NATO Stock No.	Channel Freq Kc	Crystal Freq Kc
5955-21-460-2939	6264	1566.000
5955-21-460-1605	6267	1566.750
5955-21-460-1733	6318	1579.500
5955-21-460-2859	6345	1586.250
5955-21-460-1735	6354.75	1588.688
5955-21-460-2814	6498.5	1624.625
5955-21-460-3204	6693	1673.250
5955-21-460-2815	6708	1677.000
5955-21-460-2816	6715.5	1678.875
5955-21-460-2817	6745.5	1686.375
5955-21-460-2940	8282	2070.500
5955-21-460-2942	8352	2088.000
5955-21-460-1608	8356	2089.000
5955-21-460-1609	8364	2091.000
5955-21-460-1732	8424	2106.000
5955-21-460-1734	8473	2118.250
5955-21-460-3065	9007.5	2251.875
5955-21-460-3075	9011.5	2252.875
5955-21-460-2937	12424	1553.000
5955-21-460-2939	12528	1566.000
5955-21-460-1605	12534	1566.750
5955-21-460-1733	12636	1579.500
5955-21-460-1735	12709.5	1588.688
5955-21-460-3074	15036	1879.500
5955-21-460-2940	16564	2070.500
5955-21-460-2942	16704	2088.000
5955-21-460-1608	16712	2089.000
5955-21-460-1732	16848	2106.000
5955-21-460-1734	16946	2118.250
5955-21-460-2944	22102	2762.750
5955-21-460-2945	22217	2777.125
5955-21-460-1620	22225	2778.125
5955-21-460-2943	25105	2092.083

Table 189

CRYSTAL UNIT, QUARTZ: TYPE CR-23/U

Illustration No. 2

Use: AN/UPM-110 Mod LA-18M

Spectrum Analyzer

Spec: MIL-C-3098B

NATOSC: 81349

Note: No channel frequency

NATO Stock No.	Crystal Freq Mc
5955-21-460-2973	32.50000



CRYSTAL UNITS, QUARTZ

Table 191

CRYSTAL UNIT, QUARTZ: TYPE CR-18/U
 Illustration No. 2
 Use: AN/UPM-99 Radar Test Set
 Spec: MIL-C-3098B
 NATOSC: 81349

NATO Stock No.	Channel Freq	Crystal Freq Kc
5955-21-460-3079		689.6550

Table 193

CRYSTAL UNIT, QUARTZ: TYPE CR-27/U
 Illustration No. 2
 Use: AN/URA-23A Oscillator
 Spec: MIL-C-3098B
 NATOSC: 81349

NATO Stock No.	Channel Freq Kc	Crystal Freq Kc
5955-21-460-3123	8542	2404.000
5955-21-460-3078	9007.5	3262.500
5955-21-460-2964		8000.000
5955-21-460-2968		11000.00
5955-21-460-2965		12000.00
5955-21-460-2969		13000.00
5955-21-460-2966		14000.00
5955-21-460-2970		17000.00
5955-21-460-2967		18000.00

Table 195

CRYSTAL UNIT, QUARTZ: TYPE
 CR-47/U
 Illustration No. 2
 Use: AN/URA-23A Oscillator
 Spec: MIL-C-3098B
 NATOSC: 81349
 Note: No channel frequency

NATO Stock No.	Crystal Freq Kc
5955-21-460-2972	287.0000

Table 197

CRYSTAL UNIT, QUARTZ: TYPE
 CR-50/U
 Illustration No. 3
 Use: AN/URA-23A Oscillator
 Spec: MIL-C-3098B
 NATOSC: 81349
 Note: No channel frequency

NATO Stock No.	Crystal Freq Kc
5955-21-460-2971	17.00000

Table 199

CRYSTAL UNIT, QUARTZ: TYPE
 CR-18/U
 Illustration No. 2
 Use: AN/URD-4 Direction Finder
 Spec: MIL-C-3098B
 NATOSC: 81349
 Note: No channel frequency

NATO Stock No.	Crystal Freq Kc
5955-21-460-1990	12517.80

Table 201

CRYSTAL UNIT, QUARTZ: TYPE
 CR-27/U
 Illustration No. 2
 Use: AN/URD-4 Direction Finder
 Spec: MIL-C-3098B
 NATOSC: 81349
 Note: No channel frequency

NATO Stock No.	Crystal Freq Kc
5955-21-460-1974	3233.333
5955-21-460-1975	3566.667
5955-21-460-1976	3650.000
5955-21-460-1977	3666.667
5955-21-460-1978	3683.333
5955-21-460-1979	3700.000
5955-21-460-1980	3716.667
5955-21-460-1981	3733.333
5955-21-460-1982	3750.000
5955-21-460-1983	3766.667
5955-21-460-1984	3783.333
5955-21-460-1985	3800.000
5955-21-460-1986	3900.000
5955-21-460-1987	5172.917
5955-21-460-1988	5181.250



CRYSTAL UNITS, QUARTZ

Table 203

CRYSTAL UNIT, QUARTZ: TYPE

CR-28/U

Illustration No. 2

Use: AN/JRD-4 Direction Finder

Spec: MIL-C-3098B

NATOSC: 81349

Note: No channel frequency

NATO Stock No.	Crystal Freq Kc
5955-21-460-1989	833.3333

Table 205

CRYSTAL UNIT, QUARTZ: TYPE CR-24/U

Illustration No. 12

Formula: Below 126 Mc $f_x = f_c + 9.7 \text{ Mc}$
3Above 126 Mc $f_x = f_c - 9.7 \text{ Mc}$
3

Use: AN/URG-60 Radio Set

Spec: MIL-C-3098B

NATOSC: 81349

NATO Stock No.	Channel Freq Mc	Crystal Freq Mc
5955-21-460-1811	131.78	40.62667
5955-21-460-1812	137.70	42.66667
5955-21-460-1813	142.74	44.34667

Table 207

CRYSTAL UNIT, QUARTZ: TYPE

CR-18/U

Illustration No. 2

Use: AN/URM-25D Test Set

Spec: MIL-C-3098B

NATOSC: 81349

Note: No channel frequency

NATO Stock No.	Crystal Freq Kc
5955-21-460-1886	1000.000

Table 209

CRYSTAL UNIT, QUARTZ: TYPE

CR-18/U

Illustration No. 2

Use: AN/URM-32 Test Set

Spec: MIL-C-3098B

NATOSC: 81349

Note: No channel frequency

NATO Stock No.	Crystal Freq Kc
5955-21-460-1886	1000.000
5955-21-460-2182	2500.000

Table 211

CRYSTAL UNIT, QUARTZ: TYPE

CR-36/U

Illustration No. 2

Use: AN/URM-79 Frequency Meter

Spec: MIL-C-3098B

NATOSC: 81349

Note: No channel frequency

NATO Stock No.	Crystal Freq Kc
5955-21-460-2740	1250.000

Table 213

CRYSTAL UNIT, QUARTZ: TYPE

CR-23/U

Illustration No. 2

Use: AN/URR-13 and AN/URR-35A
Receivers

Spec: MIL-C-3098B

NATOSC: 81349

Note: 2nd oscillator - no channel
frequency

NATO Stock No.	Crystal Freq Mc
5955-21-460-1729	16.82500



CRYSTAL UNITS, QUARTZ

Table 215

CRYSTAL UNIT, QUARTZ: TYPE CR-24/U

Illustration No. 12

Formula: $f_x = f_c + 18.6$

12

Use: AN/URR-13 and AN/URR-35A Receivers

Spec: MIL-C-3098B

NATOSC: 81349

Note: * For use at CNEL only

NATO Stock No.	Channel Freq Mc	Crystal Freq Mc
5955-21-460-0740	233.80	21.03333
5955-21-460-0742	237.80	21.36667
5955-21-460-0744	243.00	21.80000
5955-21-460-2358	247.00	* 22.18333
5955-21-460-2359	247.50	* 22.17500
5955-21-460-2360	248.00	* 22.21666
5955-21-460-2361	248.50	* 22.25833
5955-21-460-2362	249.00	* 22.30000
5955-21-460-2363	249.30	* 22.32500
5955-21-460-2364	249.50	* 22.34166
5955-21-460-2365	249.70	* 22.35833
5955-21-460-0746	249.80	22.36667
5955-21-460-2366	249.90	* 22.37500
5955-21-460-2367	250.00	* 22.38333
5955-21-460-2368	250.10	* 22.39166
5955-21-460-2369	250.30	* 22.40833
5955-21-460-2370	250.50	* 22.42500
5955-21-460-0747	250.60	22.43333
5955-21-460-2371	250.70	* 22.44166
5955-21-460-2372	251.00	* 22.46666
5955-21-460-2373	253.00	* 22.63333
5955-21-460-1730	253.80	22.70000
5955-21-460-0750	256.20	22.90000
5955-21-460-0751	257.80	23.03333
5955-21-460-0754	265.80	23.70000
5955-21-460-1669	267.20	23.81667
5955-21-460-1022	270.60	24.10000
5955-21-460-2646	271.40	24.16667
5955-21-460-0757	273.80	24.36667
5955-21-460-2075	274.20	24.40000
5955-21-460-1671	277.00	24.63333
5955-21-460-1931	277.10	24.64167
5955-21-460-0758	277.80	24.70000
5955-21-460-2374	278.00	* 24.71666
5955-21-460-1932	278.30	24.74167
5955-21-460-1703	278.40	24.75000
5955-21-460-1933	278.90	24.79167
5955-21-460-2375	279.00	* 24.80000
5955-21-460-2376	279.30	* 24.82500
5955-21-460-0759	279.50	24.84166
5955-21-460-2377	279.50	* 24.84166

(continued next column)

Table 215 Type CR-24/U (Contd)

NATO Stock No.	Channel Freq Mc	Crystal Freq Mc
5955-21-460-2378	279.70	* 24.85833
5955-21-460-2379	279.90	* 24.87500
5955-21-460-1934	280.00	24.88333
5955-21-460-1935	280.10	24.89167
5955-21-460-2380	280.30	* 24.90833
5955-21-460-2381	280.50	* 24.92500
5955-21-460-1704	280.60	24.93333
5955-21-460-1936	280.70	24.94167
5955-21-460-2382	281.00	* 24.96666
5955-21-460-1705	281.20	24.98333
5955-21-460-2383	281.50	* 25.00833
5955-21-460-1706	281.90	25.04167
5955-21-460-2384	282.00	* 25.05000
5955-21-460-1937	282.10	25.05833
5955-21-460-2385	282.50	* 25.09166
5955-21-460-1029	282.80	25.11667
5955-21-460-2386	283.00	* 25.13333
5955-21-460-1830	283.40	25.16667
5955-21-460-0762	285.00	25.30000
5955-21-460-1672	285.80	25.36667
5955-21-460-1673	289.80	25.70000
5955-21-460-1012	291.40	25.83333
5955-21-460-0765	299.40	26.50000
5955-21-460-1831	301.00	26.63333
5955-21-460-0768	302.60	26.76667
5955-21-460-1832	307.40	27.16667
5955-21-460-0770	309.00	27.30000
5955-21-460-1013	312.20	27.56667
5955-21-460-0773	315.40	27.83333
5955-21-460-0774	318.60	28.10000
5955-21-460-0775	320.20	28.23333
5955-21-460-0777	322.40	28.41667
5955-21-460-2856	325.00	28.63333
5955-21-460-0779	326.60	28.76667
5955-21-460-0780	328.20	28.90000
5955-21-460-1833	336.20	29.56667
5955-21-460-0784	339.40	29.83333
5955-21-460-2600	340.20	29.90000
5955-21-460-0785	341.00	29.96667
5955-21-460-0787	342.60	30.10000
5955-21-460-2387	347.00	* 30.46666
5955-21-460-2388	348.00	* 30.55000
5955-21-460-0788	349.00	30.63333
5955-21-460-2389	349.30	* 30.65833
5955-21-460-2390	349.50	* 30.67500
5955-21-460-2391	349.70	* 30.69166
5955-21-460-2392	349.90	* 30.70833
5955-21-460-2393	350.00	* 30.71666

(continued next column)



RCN Catalogue of Materiel

5955

TABLES 215 AND 217

CRYSTAL UNITS, QUARTZ

Table 215 Type CR-24/U (Contd)

NATO Stock No.	Channel Freq Mc	Crystal Freq Mc
5955-21-460-2394	350.10	* 30.72500
5955-21-460-2395	350.30	* 30.74166
5955-21-460-2396	350.50	* 30.75833
5955-21-460-2397	350.70	* 30.77500
5955-21-460-2398	351.00	* 30.80000
5955-21-460-2399	351.50	* 30.84166
5955-21-460-2400	352.00	* 30.88333
5955-21-460-2401	352.50	* 30.92500
5955-21-460-2402	353.00	* 30.96666
5955-21-460-2857	354.60	31.10000
5955-21-460-0789	357.00	31.30000
5955-21-460-2858	357.40	31.33333
5955-21-460-0790	361.00	31.63333
5955-21-460-1731	361.80	31.70000
5955-21-460-1030	364.20	31.90000
5955-21-460-2961	381.60	33.35000
5955-21-460-0795	383.40	33.50000
5955-21-460-0796	384.20	33.56667
5955-21-460-0797	385.00	33.63333
5955-21-460-1954	386.60	33.76667
5955-21-460-0798	389.80	34.03333

Table 217

CRYSTAL UNIT, QUARTZ: TYPE CR-18/U

Illustration No. 2

Use: AN/URT-17 Transmitter

Spec: MIL-C-3098B

NATOSC: 81349

NATO Stock No.	Channel Freq Kc	Crystal Freq Kc
5955-21-460-2695	2746	2546.000
5955-21-460-2718	3287	3087.000
5955-21-460-2726	3287	3287.000
5955-21-460-2727	3293	3293.000
5955-21-460-2728	3325	3325.000
5955-21-460-2723	3394	3194.000
5955-21-460-2731	3394	3394.000
5955-21-460-2653	4040	2020.000
5955-21-460-2671	4045	1822.500
5955-21-460-2676	4045	2022.500
5955-21-460-1610	4271	2135.500
5955-21-460-1611	4277	2138.500
5955-21-460-1612	4283	2141.500
5955-21-460-2673	4307	1953.500
5955-21-460-1614	4307	2153.500
5955-21-460-0673	4570	2285.000
5955-21-460-2682	4850	2225.000

(continued next column)

Table 217 Type CR-18/U (Contd)

NATO Stock No.	Channel Freq Kc	Crystal Freq Kc
5955-21-460-0676	4850	2425.000
5955-21-460-2690	5097	2348.500
5955-21-460-2696	5097	2548.500
5955-21-460-2700	5735	2667.500
5955-21-460-0688	5735	2867.500
5955-21-460-2709	5785	2892.500
5955-21-460-2711	5948	2974.000
5955-21-460-1626	6386.5	3193.250
5955-21-460-1627	6393.5	3196.750
5955-21-460-2714	6425	3012.500
5955-21-460-2715	6445.25	3022.625
5955-21-460-2594	6445.25	3222.625
5955-21-460-1633	6449.5	3224.750
5955-21-460-2724	6800	3200.000
5955-21-460-1639	6800	3400.000
5955-21-460-2725	6855	3227.500
5955-21-460-1806	6855	3427.500
5955-21-460-2733	6955	3477.500
5955-21-460-2734	7515	3557.500
5955-21-460-1640	7515	3757.500
5955-21-460-2735	7665	3632.500
5955-21-460-2738	7665	3832.500
5955-21-460-2737	7985	3762.500
5955-21-460-1098	8000	2000.000
5955-21-460-2670	8010	1802.500
5955-21-460-2675	8010	2002.500
5955-21-460-0656	8190	2047.500
5955-21-460-2672	8542	1935.500
5955-21-460-1611	8554	2138.500
5955-21-460-1612	8566	2141.500
5955-21-460-2673	8614	1953.500
5955-21-460-1614	8614	2153.500
5955-21-460-2692	8662	2415.500
5955-21-460-2677	9043	2060.750
5955-21-460-2678	9055	2063.750
5955-21-460-0672	9055	2263.750
5955-21-460-2687	9216	2304.000
5955-21-460-2679	9363	2140.750
5955-21-460-2689	9363	2340.750
5955-21-460-2691	9405	2351.250
5955-21-460-2683	9780	2245.000
5955-21-460-0677	9780	2445.000
5955-21-460-2685	9890	2272.500
5955-21-460-0678	9890	2472.500
5955-21-460-2694	10945	2536.250
5955-21-460-0683	10945	2736.250
5955-21-460-1617	11022.5	2755.625
5955-21-460-2701	11500	2675.000

(continued next column)



CRYSTAL UNITS, QUARTZ

Table 217 Type CR-18/U (Contd)

NATO Stock No.	Channel Freq Kc	Crystal Freq Kc
5955-21-460-0689	11500	2875.000
5955-21-460-2703	11679	2719.750
5955-21-460-2710	11679	2919.750
5955-21-460-2704	12005	2801.250
5955-21-460-2705	12015	2803.750
5955-21-460-2713	12015	3003.750
5955-21-460-2716	12097.5	3024.375
5955-21-460-2719	12157.5	3089.375
5955-21-460-2712	12813	3003.250
5955-21-460-1629	12831	3207.750
5955-21-460-1630	12849	3212.250
5955-21-460-2717	12921	3030.250
5955-21-460-1634	12921	3230.250
5955-21-460-1635	12984	3246.000
5955-21-460-2720	13384	3146.000
5955-21-460-1638	13384	3346.000
5955-21-460-2729	13412.5	3353.125
5955-21-460-2721	13510	3177.500
5955-21-460-0700	13510	3377.500
5955-21-460-2722	13567	3191.750
5955-21-460-2730	13567	3391.750
5955-21-460-2732	14660	3465.000
5955-21-460-2736	15664	3716.000
5955-21-460-1641	15664	3916.000
5955-21-460-2669	16005	1800.625
5955-21-460-2670	16020	1802.500
5955-21-460-2675	16020	2002.500
5955-21-460-2672	17084	1935.500
5955-21-460-1611	17108	2138.500
5955-21-460-1612	17132	2141.500
5955-21-460-1613	17218.4	2152.300
5955-21-460-2673	17228	1953.500
5955-21-460-1614	17228	2153.500
5955-21-460-2674	17560	1995.000
5955-21-460-0668	17560	2195.000
5955-21-460-2681	17690	2211.250
5955-21-460-2684	18087.5	2260.937
5955-21-460-2680	18800	2150.000
5955-21-460-0674	18800	2350.000
5955-21-460-2686	20025	2303.125
5955-21-460-2693	20025	2503.125
5955-21-460-2688	20215	2326.875
5955-21-460-2697	22449	2606.125
5955-21-460-1621	22449	2806.125
5955-21-460-1622	22455	2806.875
5955-21-460-1623	22533	2816.625
5955-21-460-2707	22587	2823.375
5955-21-460-2698	22629	2628.625

(continued next column)

Table 217 Type CR-18/U (Contd)

NATO Stock No.	Channel Freq Kc	Crystal Freq Kc
5955-21-460-2699	22920	2665.000
5955-21-460-2708	22920	2865.000
5955-21-460-2702	23125	2690.625
5955-21-460-0691	23125	2890.625
5955-21-460-2706	24070	2808.750
5955-21-460-0694	24380	3047.500

Table 219

CRYSTAL UNIT, QUARTZ: TYPE CR-27/U

Illustration No. 2

Formula: $fx = fc$

$$N$$

$$2 \text{ to } 4 \text{ Mc } N = 1$$

$$4 \text{ to } 8 \text{ Mc } N = 2$$

$$8 \text{ to } 16 \text{ Mc } N = 4$$

$$16 \text{ to } 32 \text{ Mc } N = 8$$

Use: AN/URT-17 Transmitter

Spec: MIL-C-3098B

NATOSC: 81349

NATO Stock No.	Channel Freq Kc	Crystal Freq Kc
5955-21-460-3050	4286	2143.000
5955-21-460-3208	4347.5	2173.750
5955-21-460-3209	4356.5	2178.250
5955-21-460-3201	5010	2505.000
5955-21-460-3228	5011	2505.500
5955-21-460-3014	7665	3832.500
5955-21-460-3008	9363	2140.750
5955-21-460-3009	9363	2340.750
5955-21-460-3229	11022.5	2555.625
5955-21-460-3010	11679	2719.750
5955-21-460-3011	11679	2919.750
5955-21-460-3200	12329	3082.250
5955-21-460-3012	13567	3191.750
5955-21-460-3013	13567	3391.750

Table 221

CRYSTAL UNIT, QUARTZ: TYPE CR-24/U

Illustration No. 12

Formula: $fx = fc$

$$6$$

Use: AN/URT-7 Transmitter

Spec: MIL-C-3098B

NATOSC: 81349

NATO Stock No.	Channel Freq Mc	Crystal Freq Mc
5955-21-460-1107	116.10	19.35000
5955-21-460-1256	117.18	19.53000

(continued next column)



RCN Catalogue of Materiel

5955

TABLES 217 TO 227

CRYSTAL UNITS, QUARTZ

Table 221 Type CR-24/U (Contd)

NATO Stock No.	Channel Freq Mc	Crystal Freq Mc
5955-21-460-1108	117.90	19.65000
5955-21-460-1360	119.10	19.85000
5955-21-460-1109	119.34	19.89000
5955-21-460-1361	119.50	19.91667
5955-21-460-0737	121.50	20.25000
5955-21-460-3234	121.60	20.26667
5955-21-460-1110	122.22	20.37000
5955-21-460-2528	123.10	20.51666
5955-21-460-1254	124.02	20.67000
5955-21-460-1111	126.18	21.03000
5955-21-460-1112	128.70	21.45000
5955-21-460-1345	129.42	21.57000
5955-21-460-1355	132.30	22.05000
5955-21-460-3038	132.39	22.06500
5955-21-460-1113	134.64	22.44000
5955-21-460-1742	135.54	22.59000
5955-21-460-1344	135.90	22.65000
5955-21-460-1346	137.70	22.95000
5955-21-460-1347	137.88	22.98000
5955-21-460-1258	138.78	23.13000
5955-21-460-1952	138.96	23.16000
5955-21-460-1114	140.58	23.43000
5955-21-460-1115	141.12	23.52000
5955-21-460-1116	142.02	23.67000
5955-21-460-1118	142.74	23.79000
5955-21-460-1119	143.28	23.88000
5955-21-460-1120	143.64	23.94000
5955-21-460-1122	145.80	24.30000
5955-21-460-3190	156.00	26.00000

Table 223

CRYSTAL UNIT, QUARTZ: TYPE CR-1A/AR
Illustration No. 1

Formula: 53 to 70 Mc $fx = fc$
12
70 to 95 Mc $fx = fc$
18

Use: AN/URW-3 Transmitter
Spec: MIL-C-16C
NATOSC: 81349

NATO Stock No.	Channel Freq Mc	Crystal Freq Kc
5955-21-460-2040	53.54	4461.67

Table 225

CRYSTAL UNIT, QUARTZ: TYPE
CR-18/U

Illustration No. 2

Use: AN/WRT-1 Transmitter

Spec: MIL-C-3098B

NATOSC: 81349

Note: No channel frequency

NATO Stock No.	Crystal Freq Kc
5955-21-460-3076	1100.000

Table 227

CRYSTAL UNIT, QUARTZ: TYPE CR-18/U

Illustration No. 2

Formula: 2 to 4 Mc $fx = fc$
4 to 8 Mc $fx = fc$
2
8 to 16 Mc $fx = fc$
4
16 to 27 Mc $fx = fc$
8

Use: CGRT-1 Transmitter

Spec: MIL-C-3098B

NATOSC: 81349

NATO Stock No.	Channel Freq Kc	Crystal Freq Kc
5955-21-460-1616	2746	2746.000
5955-21-460-1610	4271	2135.500
5955-21-460-1611	4277	2138.500
5955-21-460-1612	4283	2141.500
5955-21-460-2974	4292	2146.000
5955-21-460-2975	4295	2147.500
5955-21-460-1614	4307	2153.500
5955-21-460-0676	4850	2425.000
5955-21-460-0688	5735	2867.500
5955-21-460-1626	6386.5	3193.250
5955-21-460-1627	6393.5	3196.750
5955-21-460-2976	6400.5	3200.250
5955-21-460-1631	6425	3212.500
5955-21-460-2594	6445.25	3222.625
5955-21-460-1633	6449.5	3224.750
5955-21-460-1636	6498.5	3249.250
5955-21-460-1639	6800	3400.000
5955-21-460-1806	6855	3427.500
5955-21-460-1640	7515	3757.500
5955-21-460-1861	7983	3991.500
5955-21-460-0703	7985	3992.500
5955-21-460-0656	8190	2047.500
5955-21-460-1610	8542	2135.500
5955-21-460-1611	8554	2138.500

(continued next column)



CRYSTAL UNITS, QUARTZ

Table 227 Type CR-18/U (Contd)

NATO Stock No.	Channel Freq Kc	Crystal Freq Kc
5955-21-460-1612	8566	2141.500
5955-21-460-1614	8614	2153.500
5955-21-460-2977	8634	2158.500
5955-21-460-1615	8662	2165.500
5955-21-460-0672	9055	2263.750
5955-21-460-0677	9780	2445.000
5955-21-460-0678	9890	2472.500
5955-21-460-0683	10945	2736.250
5955-21-460-1617	11022.5	2755.625
5955-21-460-0689	11500	2875.000
5955-21-460-2583	12005	3001.250
5955-21-460-0693	12157.5	3039.375
5955-21-460-1628	12813	3203.250
5955-21-460-1629	12831	3207.750
5955-21-460-1630	12849	3212.250
5955-21-460-2978	12885	3221.250
5955-21-460-2979	12894	3223.500
5955-21-460-2980	12903	3225.750
5955-21-460-1634	12921	3230.250
5955-21-460-1635	12984	3246.000
5955-21-460-1638	13384	3346.000
5955-21-460-0700	13510	3377.500
5955-21-460-0701	14660	3665.000
5955-21-460-1641	15664	3916.000
5955-21-460-0655	16005	2000.625
5955-21-460-2981	17079.2	2134.900
5955-21-460-1610	17084	2135.500
5955-21-460-1611	17108	2138.500
5955-21-460-1612	17132	2141.500
5955-21-460-1613	17218.4	2152.300
5955-21-460-1614	17228	2153.500
5955-21-460-2982	17252	2156.500
5955-21-460-2983	17276	2159.500
5955-21-460-2984	17280.8	2160.100
5955-21-460-0668	17560	2195.000
5955-21-460-0674	18800	2350.000
5955-21-460-0679	20215	2526.875
5955-21-460-2985	22413	2801.625
5955-21-460-2986	22437	2804.625
5955-21-460-2987	22443	2805.375
5955-21-460-1621	22449	2806.125
5955-21-460-1622	22455	2806.875
5955-21-460-2988	22473	2809.125
5955-21-460-2989	22563	2820.375
5955-21-460-1623	22533	2816.625
5955-21-460-1624	22629	2828.625
5955-21-460-0691	23125	2890.625

Table 229

CRYSTAL UNIT, QUARTZ: TYPE CR-23/U

Illustration No. 2

Use: CPRC-26 Radio Set

Spec: MIL-C-3098B

NATOSC: 81349

NATO Stock No.	Channel Freq Mc	Crystal Freq Kc
5955-21-460-1834	50.00	45.70000
5955-21-460-1835	52.80	48.50000
5955-21-460-1836	53.60	49.30000
5955-21-460-1837	53.80	49.50000
5955-21-460-1838	54.00	49.70000
5955-21-460-1839	54.20	49.90000

Table 231

CRYSTAL UNIT, QUARTZ: TYPE CR-28/U

Illustration No. 2

Use: FR-5/U Frequency Meter

Spec: MIL-C-3098B

NATOSC: 81349

NATO Stock No.	Channel Freq Kc	Crystal Freq Kc
5955-21-460-2467	3600	3600.000

Table 233

CRYSTAL UNIT, QUARTZ: TYPE CR-28/U

Illustration No. 2

Use: FR-6/U Frequency Meter

Spec: MIL-C-3098B

NATOSC: 81349

NATO Stock No.	Channel Freq Kc	Crystal Freq Kc
5955-21-460-2476	4000	4000.000

Table 235

CRYSTAL UNIT, QUARTZ: TYPE CR-47/U

Illustration No. 2

Use: FSE-14 Frequency Shift Exciter

Spec: MIL-C-3098B

NATOSC: 81349

NATO Stock No.	Channel Freq Kc	Crystal Freq Kc
5955-21-460-3094	96.05	353.9500
5955-21-460-3095	106.20	343.8000
5955-21-460-3097	113.15	336.8500
5955-21-460-3096	115.30	334.7000



CRYSTAL UNITS, QUARTZ

Table 237

CRYSTAL UNIT, QUARTZ: TYPE CR-47/U

Illustration No. 2

Use: FSE-14 Oscillator u/w TE-147K

Spec: MIL-C-3098B

NATOSC: 81349

NATO Stock No.	Channel Freq Kc	Crystal Freq Kc
5955-21-460-2596	73.60	376.4000
5955-21-460-2652	110.75	339.2500
5955-21-460-2651	133.15	316.8500

Table 239

CRYSTAL UNIT, QUARTZ: TYPE CR-23/U

Illustration No. 2

Formula: $f_x = f_c + 15090$

3

Use: FTL-14 Direction Finder

Spec: MIL-C-3098B

NATOSC: 81349

NATO Stock No.	Channel Freq Mc	Crystal Freq Mc
5955-21-460-1324	116.10	43.73000
5955-21-460-1325	117.90	44.33000
5955-21-460-1326	119.34	44.81000
5955-21-460-2554	119.50	44.86333
5955-21-460-1323	121.50	45.53000
5955-21-460-0722	122.22	45.77000
5955-21-460-1707	124.02	46.37000
5955-21-460-0723	126.18	47.09000
5955-21-460-2763	126.20	47.09667
5955-21-460-0724	131.58	48.89000
5955-21-460-0725	134.64	49.91000
5955-21-460-0726	137.70	50.93000
5955-21-460-0727	138.78	51.29000
5955-21-460-0728	140.58	51.89000
5955-21-460-0729	141.12	52.07000
5955-21-460-0730	142.02	52.37000
5955-21-460-0731	142.56	52.55000
5955-21-460-0732	142.74	52.61000
5955-21-460-0733	143.28	52.79000
5955-21-460-0734	145.80	53.63000

Table 241

CRYSTAL UNIT, QUARTZ: TYPE CR-16/U

Illustration No. 4

Use: GFEI Fire Control

Spec: MIL-C-3098B

NATOSC: 81349

NATO Stock No.	Channel Freq	Crystal Freq Kc
5955-21-460-1094		100.0000

Table 243

CRYSTAL UNIT, QUARTZ: TYPE

CR-18/U

Illustration No. 2

Use: GFEI Fire Recorder

Spec: MIL-C-3098B

NATOSC: 81349

Note: No channel frequency

NATO Stock No.	Crystal Freq Kc
5955-21-460-1093	9250.000
5955-21-460-1092	9458.300

Table 245

CRYSTAL UNIT, QUARTZ: TYPE CR-27/U

Illustration No. 2

Formula: $f_x = f_c - 400$ Kc

2

Use: GT24 Transmitter

Spec: MIL-C-3098B

NATOSC: 81349

NATO Stock No.	Channel Freq Kc	Crystal Freq Kc
5955-21-460-2603	17615	5671.666
5955-21-460-2602	13384	4261.333

Table 247

CRYSTAL UNIT, QUARTZ: TYPE CR-27/U

Illustration No. 2

Use: HA-1 Transmitter

Spec: MIL-C-3098B

NATOSC: 81349

NATO Stock No.	Channel Freq Kc	Crystal Freq Kc
5955-21-460-2224	4570	4570.000
5955-21-460-2225	6800	6800.000

Table 249

CRYSTAL UNIT, QUARTZ: TYPE CR-27/U

Illustration No. 2

Use: LFA Adapter u/w XFK

Spec: MIL-C-3098B

NATOSC: 81349

NATO Stock No.	Channel Freq Kc	Crystal Freq Kc
5955-21-460-2201	106.2	2106.200

CRYSTAL UNITS, QUARTZ

Table 251

CRYSTAL UNIT, QUARTZ: TYPE FT-243

Illustration No. 1

Use: LFA Adapter u/w XFK

Spec: MIL

NATOSC: 81349

NATO Stock No.	Channel Freq Kc	Crystal Freq Kc
5955-21-460-2199	106.2	2106.200

Table 253

CRYSTAL UNIT, QUARTZ: TYPE

CR-19/U

Illustration No. 2

Use: OS-54A/URN-3 Oscilloscope

Spec: MIL-C-3098B

NATOSC: 81349

Note: No channel frequency

NATO Stock No.	Crystal Freq Kc
5955-21-460-3058	1000.000

Table 254

CRYSTAL UNIT, QUARTZ: TYPE CR-23/U

Illustration No. 2

Use: R-570/ARW Receiver

Spec: MIL-C-3098B

NATOSC: 81349

NATO Stock No.	Channel Freq Mc	Crystal Freq Mc
5955-21-762-0050	409.0	41.72222

Table 255

CRYSTAL UNIT, QUARTZ: TYPE CR-27/U

Illustration No. 2

Formula: $f_x = 2000(N) - f_c + 270 \text{ Kc}$

Use: SBE-2 Mode Selector

Spec: MIL-C-3098B

NATOSC: 81349

NATO Stock No.	Channel Freq Kc	Crystal Freq Kc
5955-21-460-2658	2660	2930.000
5955-21-460-3151	2844	3112.500
5955-21-460-2660	3053	3323.000
5955-21-460-2659	3039	3309.000
5955-21-460-3152	3287	3015.500
5955-21-460-3153	3293	3021.500

(continued next column)

Table 255 Type CR-27/U (Contd)

NATO Stock No.	Channel Freq Kc	Crystal Freq Kc
5955-21-460-3155	4277	4005.500
5955-21-460-3158	4286	2411.500
5955-21-460-3159	4307	2422.000
5955-21-460-3154	4307	3964.500
5955-21-460-2661	4738.5	3531.500
5955-21-460-3156	4850	2421.500
5955-21-460-3160	4850	2693.500
5955-21-460-2662	5703	2567.000
5955-21-460-3161	6393.5	3466.600
5955-21-460-3162	6400.5	3468.750
5955-21-460-1283	6498.5	3771.500
5955-21-460-2663	6708	3562.000
5955-21-460-2664	6753	3517.000
5955-21-460-3157	6800	3201.500
5955-21-460-3163	8490	2391.000
5955-21-460-3164	8554	2407.000
5955-21-460-2665	9009.5	3260.500
5955-21-460-3165	9780	2983.500
5955-21-460-1685	11247	3023.000
5955-21-460-3166	11500	3144.850
5955-21-460-3167	12894	3493.350
5955-21-460-3141	14660	3611.500
5955-21-460-3169	17079.2	2404.750
5955-21-460-3168	17079.2	3999.650
5955-21-460-3118		2056.500
5955-21-460-3119		2114.000
5955-21-460-3120		2201.500
5955-21-460-3121		2266.500
5955-21-460-3122		2286.500
5955-21-460-3123		2404.000
5955-21-460-3124		2453.500
5955-21-460-3125		2463.500
5955-21-460-3126		2501.500
5955-21-460-3127		2529.250
5955-21-460-3128		2536.500
5955-21-460-3129		2603.000
5955-21-460-3130		2741.000
5955-21-460-3131		3014.500
5955-21-460-3132		3097.125
5955-21-460-3133		3216.500
5955-21-460-3134		3277.250
5955-21-460-3135		3351.500
5955-21-460-3150		3386.000
5955-21-460-3136		3421.500
5955-21-460-3137		3471.750
5955-21-460-3138		3481.000
5955-21-460-3139		3486.000
5955-21-460-3140		3604.500
5955-21-460-3142		3999.500



RCN Catalogue of Materiel

5955

TABLES 251 TO 257

CRYSTAL UNITS, QUARTZ

Table 257

CRYSTAL UNIT, QUARTZ: TYPE CR-24/U

Illustration No. 12

Formula: $f_x = fc$

12

Use: TED and TED-3 Transmitters

Spec: MIL-C-3098B

NATOSC: 81349

Note: * For use at CNEL only

NATO Stock No.	Channel Freq Mc	Crystal Freq Mc
5955-21-460-1199	225.00	18.75000
5955-21-460-0735	233.80	19.48333
5955-21-460-0736	237.80	19.81667
5955-21-460-0737	243.00	20.25000
5955-21-460-2313	247.00	* 20.58333
5955-21-460-2314	247.50	* 20.62500
5955-21-460-2315	248.00	* 20.66666
5955-21-460-2316	248.50	* 20.70833
5955-21-460-2317	249.00	* 20.75000
5955-21-460-2318	249.30	* 20.77500
5955-21-460-2319	249.50	* 20.79166
5955-21-460-2320	249.70	* 20.80833
5955-21-460-0738	249.80	20.81667
5955-21-460-2321	249.90	* 20.82500
5955-21-460-2322	250.00	* 20.83333
5955-21-460-2323	250.10	* 20.84166
5955-21-460-2324	250.30	* 20.85833
5955-21-460-2325	250.50	* 20.87500
5955-21-460-0739	250.60	20.88333
5955-21-460-2326	250.70	* 20.89166
5955-21-460-2327	251.00	* 20.91666
5955-21-460-2328	252.00	* 21.00000
5955-21-460-2329	253.00	* 21.08333
5955-21-460-1200	253.80	21.15000
5955-21-460-3036	255.40	21.28333
5955-21-460-0741	256.20	21.35000
5955-21-460-0743	257.80	21.48333
5955-21-460-0745	265.80	22.15000
5955-21-460-2647	267.20	22.26667
5955-21-460-1021	270.60	22.55000
5955-21-460-2648	271.40	22.61667
5955-21-460-0749	273.80	22.81667
5955-21-460-2074	274.20	22.85000
5955-21-460-1668	277.00	23.08333
5955-21-460-1924	277.10	23.09167
5955-21-460-2216	277.20	23.10000
5955-21-460-0752	277.80	23.15000
5955-21-460-2330	278.00	* 23.16666
5955-21-460-1925	278.30	23.19167
5955-21-460-1700	278.40	23.20000
5955-21-460-1926	278.90	23.24167

(continued next column)

Table 257 Type CR-24/U (Contd)

NATO Stock No.	Channel Freq Mc	Crystal Freq Mc
5955-21-460-2331	279.00	* 23.25000
5955-21-460-2332	279.30	* 23.27500
5955-21-460-0753	279.40	23.28333
5955-21-460-2333	279.50	* 23.29166
5955-21-460-2334	279.70	* 23.30833
5955-21-460-2335	279.90	* 23.32500
5955-21-460-1927	280.00	23.33333
5955-21-460-1928	280.10	23.34167
5955-21-460-2336	280.30	* 23.35833
5955-21-460-2337	280.50	* 23.37500
5955-21-460-1701	280.60	23.38333
5955-21-460-1929	280.70	23.39167
5955-21-460-2217	281.00	23.41666
5955-21-460-1763	281.20	23.43333
5955-21-460-2338	281.50	* 23.45833
5955-21-460-1702	281.90	23.49167
5955-21-460-2339	282.00	* 23.50000
5955-21-460-1930	282.10	23.50833
5955-21-460-2340	282.50	* 23.54166
5955-21-460-1027	282.80	23.56667
5955-21-460-2341	283.00	* 23.58333
5955-21-460-1826	283.40	23.61667
5955-21-460-0755	285.00	23.75000
5955-21-460-2281	285.20	23.76666
5955-21-460-1669	285.80	23.81667
5955-21-460-1670	289.80	24.15000
5955-21-460-1010	291.40	24.28333
5955-21-460-0760	299.40	24.95000
5955-21-460-1827	301.00	25.08333
5955-21-460-0761	302.60	25.21667
5955-21-460-1828	307.40	25.61667
5955-21-460-0763	309.00	25.75000
5955-21-460-1011	312.20	26.01667
5955-21-460-0764	315.40	26.28333
5955-21-460-0766	318.60	26.55000
5955-21-460-0767	320.20	26.68333
5955-21-460-2962	322.40	26.86667
5955-21-460-2853	325.00	27.08333
5955-21-460-0769	326.60	27.21667
5955-21-460-0771	328.20	27.35000
5955-21-460-1829	336.20	28.01667
5955-21-460-0776	339.40	28.28333
5955-21-460-2601	340.20	28.35000
5955-21-460-0777	341.00	28.41667
5955-21-460-0778	342.60	28.55000
5955-21-460-3037	346.60	26.88888
5955-21-460-2342	347.00	* 28.91666
5955-21-460-2343	348.00	* 29.00000
5955-21-460-0782	349.00	29.08333

(continued next column)

CRYSTAL UNITS, QUARTZ

Table 257 Type CR-24/U (Contd)

NATO Stock No.	Channel Freq Mc	Crystal Freq Mc
5955-21-460-2344	349.30	* 29.10833
5955-21-460-2345	349.50	* 29.12500
5955-21-460-2346	349.70	* 29.14166
5955-21-460-2347	349.90	* 29.15833
5955-21-460-2348	350.00	* 29.16666
5955-21-460-2349	350.10	* 29.17500
5955-21-460-2350	350.30	* 29.19166
5955-21-460-2351	350.50	* 29.20833
5955-21-460-2352	350.70	* 29.22500
5955-21-460-2353	351.00	* 29.25000
5955-21-460-2354	351.50	* 29.29166
5955-21-460-2355	352.00	* 29.33333
5955-21-460-2356	352.50	* 29.37500
5955-21-460-2357	353.00	* 29.41666
5955-21-460-2854	354.60	* 29.55000
5955-21-460-0783	357.00	* 29.75000
5955-21-460-2855	357.40	* 29.78333
5955-21-460-0786	361.00	* 30.08333
5955-21-460-1201	361.80	* 30.15000
5955-21-460-1028	364.20	* 30.35000
5955-21-460-2963	381.60	* 31.80000
5955-21-460-0791	383.40	* 31.95000
5955-21-460-0792	384.20	* 32.01667
5955-21-460-0793	385.00	* 32.08333
5955-21-460-1953	386.60	* 32.21667
5955-21-460-0794	389.80	* 32.48333
5955-21-460-1202	400.00	* 33.33333

Table 263

CRYSTAL UNIT, QUARTZ: TYPE CR-37/U
Illustration No. 3
Use: TE-2159AL Transmitter
Spec: MIL-C-3098B
NATOSC: 81349

NATO Stock No.	Channel Freq Kc	Crystal Freq Kc
5955-21-460-2238	133.15	133.1500

Table 265

CRYSTAL UNIT, QUARTZ: TYPE CR-26/U
Illustration No. 2
Use: TE-2159AM Transmitter
Spec: MIL-C-3098B
NATOSC: 81349

NATO Stock No.	Channel Freq Kc	Crystal Freq Kc
5955-21-460-2239	470	470.0000

Table 267

CRYSTAL UNIT, QUARTZ: TYPE CR-27/U
Illustration No. 2
Formula: 2 to 5 Mc $f_x = f_c$
5 to 10 Mc $f_x = f_c$
2
10 to 20 Mc $f_x = f_c$
4
20 to 28 Mc $f_x = f_c$
6
Use: TH-41B Transmitter
Spec: MIL-C-3098B
NATOSC: 81349

NATO Stock No.	Channel Freq Kc	Crystal Freq Kc
5955-21-460-1286	2746	2746.000
5955-21-460-1284	2836	2836.000
5955-21-460-1275	2844	2844.000
5955-21-460-1722	3394	3394.000
5955-21-460-1280	4271	4271.000
5955-21-460-1293	4277	4277.000
5955-21-460-1276	4283	4283.000
5955-21-460-3052	4286	4286.000
5955-21-460-2990	4292	4292.000
5955-21-460-2991	4295	4295.000
5955-21-460-1297	4307	4307.000
5955-21-460-3146	4349	2174.500
5955-21-460-3147	4358	2179.000
5955-21-460-0860	4850	4850.000

(continued next column)

Table 259

CRYSTAL UNIT, QUARTZ: TYPE CR-37/U
Illustration No. 3
Use: TE-147K Transmitter
Spec: MIL-C-3098B
NATOSC: 81349

NATO Stock No.	Channel Freq Kc	Crystal Freq Kc
5955-21-460-2001	106.2	106.2000
5955-21-460-2002	115.3	115.3000

Table 261

CRYSTAL UNIT, QUARTZ: TYPE CR-38/U
Illustration No. 3
Use: TE-147K Transmitter
Spec: MIL-C-3098B
NATOSC: 81349

NATO Stock No.	Channel Freq Kc	Crystal Freq Kc
5955-21-460-1999	45.75	45.75000
5955-21-460-2000	96.05	96.05000



CRYSTAL UNITS, QUARTZ

Table 267 Type CR-27/U (Contd)

NATO Stock No.	Channel Freq Kc	Crystal Freq Kc
5955-21-460-0805	5735	2867.500
5955-21-460-1277	6386.5	3193.250
5955-21-460-1294	6393.5	3196.750
5955-21-460-2557	6400.5	3200.250
5955-21-460-1282	6425	3212.500
5955-21-460-2592	6445.25	3222.625
5955-21-460-2194	6449.5	3224.750
5955-21-460-1288	6800	3400.000
5955-21-460-1287	7515	3757.500
5955-21-460-0833	7985	3992.500
5955-21-460-0834	8000	4000.000
5955-21-460-1291	8190	4095.000
5955-21-460-1280	8542	4271.000
5955-21-460-2171	8544	4272.000
5955-21-460-1293	8554	4277.000
5955-21-460-1276	8566	4283.000
5955-21-460-1297	8614	4307.000
5955-21-460-2992	8634	4317.000
5955-21-460-0854	9055	4527.500
5955-21-460-0861	9780	4890.000
5955-21-460-1724	9890	4945.000
5955-21-460-0802	10945	2736.250
5955-21-460-1292	11022.5	2755.625
5955-21-460-0806	11500	2875.000
5955-21-460-0808	12157.5	3039.375
5955-21-460-1281	12813	3203.250
5955-21-460-1295	12831	3207.750
5955-21-460-1278	12849	3212.250
5955-21-460-2993	12885	3221.250
5955-21-460-2994	12894	3223.500
5955-21-460-2995	12903	3225.750
5955-21-460-1299	12921	3230.250
5955-21-460-2195	12984	3246.000
5955-21-460-1289	13384	3346.000
5955-21-460-0818	13510	3377.500
5955-21-460-0822	14660	3665.000
5955-21-460-1301	15664	3916.000
5955-21-460-0835	16005	4001.250
5955-21-460-2996	17079.2	4269.800
5955-21-460-1280	17084	4271.000
5955-21-460-1293	17108	4277.000
5955-21-460-1276	17132	4283.000
5955-21-460-2196	17218.4	4304.600
5955-21-460-1297	17228	4307.000
5955-21-460-2997	17252	4313.000
5955-21-460-2998	17276	4319.000
5955-21-460-2999	17280.8	4320.200
5955-21-460-0852	17560	4390.000

(continued next column)

Table 267 Type CR-27/U (Contd)

NATO Stock No.	Channel Freq Kc	Crystal Freq Kc
5955-21-460-0858	18800	4700.000
5955-21-460-0817	20215	3369.167
5955-21-460-3000	22413	3735.500
5955-21-460-3001	22437	3739.500
5955-21-460-3002	22443	3740.500
5955-21-460-1300	22449	3741.500
5955-21-460-1279	22455	3742.500
5955-21-460-3003	22473	3745.500
5955-21-460-1296	22533	3755.500
5955-21-460-3004	22563	3760.500
5955-21-460-2197	22587	3764.500
5955-21-460-1283	22629	3771.500
5955-21-460-0827	23125	3854.167

Table 269

CRYSTAL UNIT, QUARTZ: TYPE CR-47/U

Illustration No. 2

Use: TIS-3 Tone Intelligence
Generator Unit

Spec: MIL-C-3098B

NATOSC: 81349

Note: No channel frequency

NATO Stock No.	Crystal Freq Kc
5955-21-460-3188	197.4500
5955-21-460-3187	198.0000
5955-21-460-3186	198.1000

Table 271

CRYSTAL UNIT, QUARTZ: TYPE CR-18/U

Illustration No. 2

Use: TS-186D/UP Frequency Meter

Spec: MIL-C-3098B

NATOSC: 81349

Note: No channel frequency

NATO Stock No.	Crystal Freq Kc
5955-21-460-3070	5000.000



CRYSTAL UNITS, QUARTZ

Table 273

CRYSTAL UNIT, QUARTZ: TYPE CR-11/U
 Use: TS-251/JP Test Set
 Spec: MIL
 NATOSC: 81349

NATO Stock No.	Channel Freq	Crystal Freq
		Cps
5955-21-460-1716		1817.44

Table 275

CRYSTAL UNIT, QUARTZ: TYPE CR-18/U
 Illustration No. 2
 Use: VOX Variable Frequency Oscillator
 Spec: MIL-C-3098B
 NATOSC: 81349

NATO Stock No.	Channel Freq	Crystal Freq
	Kc	Kc
5955-21-460-1055	455	455.0000
5955-21-460-1056	500	550.0000

Table 277

CRYSTAL UNIT, QUARTZ: TYPE FT-243
 Illustration No. 1
 Use: XFK Frequency Shift Keyer
 Spec: MIL
 NATOSC: 81349

NATO Stock No.	Channel Freq	Crystal Freq
	Kc	Kc
5955-21-460-2283	5097	2348.500
5955-21-460-2232	6800	3200.000
5955-21-460-2193	9055	2063.750
5955-21-460-2233	9216	4408.000
5955-21-460-2234	13412.5	6506.250

Table 279

CRYSTAL UNIT, QUARTZ: TYPE CR-27/U
 Illustration No. 2
 Formula: $f_x = f_c - \frac{200 Kc}{N}$
 Use: XFK Frequency Shift Keyer u/w AN/SRT-502
 Spec: MIL-C-3098B
 NATOSC: 81349

NATO Stock No.	Channel Freq	Crystal Freq
	Kc	Kc
5955-21-460-3170	3287	1443.500
5955-21-460-2947	4142	1871.000
5955-21-460-3193	4146	1876.000

(continued next column)

Table 279 Type CR-27/U (Contd)

NATO Stock No.	Channel Freq	Crystal Freq
	Kc	Kc
5955-21-460-3055	6213	1353.250
5955-21-460-2954	6213	2906.500
5955-21-460-3191	6217	1353.500
5955-21-460-2946	8282	1870.500
5955-21-460-3192	8286	1871.500
5955-21-460-3053	12424	1353.000
5955-21-460-3054	12474	1359.250
5955-21-460-2946	16564	1870.500
5955-21-460-2948	16626	1878.250
5955-21-460-2949	16632	1879.000
5955-21-460-2950	22102	2562.750
5955-21-460-2951	22151	2568.875

Table 281

CRYSTAL UNIT, QUARTZ: TYPE FT-243
 Illustration No. 1
 Use: XFK Frequency Shift Keyer u/w AN/SRT-502
 Spec: MIL
 NATOSC: 81349

NATO Stock No.	Channel Freq	Crystal Freq
	Kc	Kc
5955-21-460-2099	4175	1887.500
5955-21-460-2100	6262.5	1365.625
5955-21-460-2099	8350	1887.500
5955-21-460-2100	12525	1365.625
5955-21-460-2099	16700	1887.500
5955-21-460-2101	22215	2576.875

Table 283

CRYSTAL UNIT, QUARTZ: TYPE CR-18/U
 Illustration No. 2
 Use: XFK Frequency Shift Keyer u/w AN/URT-17
 Spec: MIL-C-3098B
 NATOSC: 81349

NATO Stock No.	Channel Freq	Crystal Freq
	Kc	Kc
5955-21-460-3206	4347.5	1973.750
5955-21-460-3207	4356.5	1978.250



RCN Catalogue of Materiel

5955

TABLES 273 TO 291

CRYSTAL UNITS, QUARTZ

Table 285

CRYSTAL UNIT, QUARTZ: TYPE CR-27/U

Illustration No. 2

Formula: $fx = fc - 200$

N

Use: XFK Frequency Shift Keyer u/w AN/URT-17

Spec: MIL-C-3098B

NATOSC: 81349

NATO Stock No.	Channel Freq Kc	Crystal Freq Kc
5955-21-460-3049	4286	1943.000
5955-21-460-1958	7665	3632.500
5955-21-460-3040	17079.2	1934.900

Table 287

CRYSTAL UNIT, QUARTZ: TYPE CR-27/U

Illustration No. 2

Formula: $fx = fc - 200$ Kc

N

Use: XFK Frequency Shift Keyer u/w CGRT-1

Spec: MIL-C-3098B

NATOSC: 81349

NATO Stock No.	Channel Freq Kc	Crystal Freq Kc
5955-21-460-1305	2746	2546.000
5955-21-460-1403	4271	1935.500
5955-21-460-1674	4307	1953.500
5955-21-460-1136	4570	2085.000
5955-21-460-1676	4850	2225.000
5955-21-460-0912	5435	2517.500
5955-21-460-0800	5735	2667.500
5955-21-460-1684	6425	3012.500
5955-21-460-1685	6446	3023.000
5955-21-460-1689	6498.5	3049.250
5955-21-460-1691	6800	3200.000
5955-21-460-1807	6855	3227.500
5955-21-460-0819	7515	3557.500
5955-21-460-0824	7985	3792.500
5955-21-460-3039	8490	1922.500
5955-21-460-1403	8542	1935.500
5955-21-460-1674	8614	1953.500
5955-21-460-2581	9043	2060.750
5955-21-460-1133	9055	2063.750
5955-21-460-1677	9780	2245.000
5955-21-460-1679	10945	2536.250
5955-21-460-1134	11500	2675.000
5955-21-460-2582	12005	2801.250
5955-21-460-1682	12157.5	2839.375
5955-21-460-1683	12813	3003.250
5955-21-460-3041	12894	3023.500
5955-21-460-1687	12921	3030.250
5955-21-460-1690	13510	3177.500

(continued next column)

Table 287 Type CR-27/U (Contd)

NATO Stock No.	Channel Freq Kc	Crystal Freq Kc
5955-21-460-1692	14660	3465.000
5955-21-460-1693	15664	3716.000
5955-21-460-1402	16005	1800.625
5955-21-460-1403	17084	1935.500
5955-21-460-1674	17228	1953.500
5955-21-460-1127	17560	1995.000
5955-21-460-1135	18800	2150.000
5955-21-460-1678	20215	2326.875
5955-21-460-1680	22449	2606.125
5955-21-460-1681	22629	2628.625
5955-21-460-1128	23125	2690.625

Table 289

CRYSTAL UNIT, QUARTZ: TYPE FT-243

Illustration No. 1

Use: XFK Frequency Shift Keyer u/w CGRT-1

Spec: MIL-C-3098B

NATOSC: 81349

NATO Stock No.	Channel Freq Kc	Crystal Freq Kc
5955-21-460-2027	3394	1497.000
5955-21-460-2044	7985	3792.500
5955-21-460-1840	12921	3030.250
5955-21-460-2098	20215	4853.750
5955-21-460-2526	22920	2665.000
5955-21-460-2527	24070	2808.750

Table 291

CRYSTAL UNIT, QUARTZ: TYPE CR-27/U

Illustration No. 2

Use: XFK Frequency Shift Keyer u/w ET-11

Spec: MIL-C-3098B

NATOSC: 81349

NATO Stock No.	Channel Freq Kc	Crystal Freq Kc
5955-21-460-2573	6955	3277.500
5955-21-460-1958	7665	3632.500
5955-21-460-1959	9363	4481.500
5955-21-460-1960	11679	5639.500
5955-21-460-1961	13567	6583.500



CRYSTAL UNITS, QUARTZ

Table 293

CRYSTAL UNIT, QUARTZ: TYPE CR-27/U

Illustration No. 2

Formula: $f_x = f_c - 200 \text{ Kc}$

N

Use: XFK Frequency Shift Keyer u/w
PV500HM/2/3/4

Spec: MIL-C-3098B

NATOSC: 81349

NATO Stock No.	Channel Freq Kc	Crystal Freq Kc
5955-21-460-1766	3287	3087.000
5955-21-460-2930	4142	3942.000
5955-21-460-3196	4146	3946.000
5955-21-460-1307	4307	4107.000
5955-21-460-0851	4570	4370.000
5955-21-460-0855	4850	4650.000
5955-21-460-0864	5435	5235.500
5955-21-460-2954	6213	2906.500
5955-21-460-3194	6217	2908.500
5955-21-460-1685	6446	3023.000
5955-21-460-1689	6498.5	3049.250
5955-21-460-0819	7515	3557.500
5955-21-460-0824	7985	3792.500
5955-21-460-0829	8190	3895.000
5955-21-460-2928	8282	3941.000
5955-21-460-3195	8286	3943.000
5955-21-460-0850	9055	4327.500
5955-21-460-0913	9480	4540.000
5955-21-460-0857	9780	4690.000
5955-21-460-1747	9890	4745.000
5955-21-460-0865	10945	5272.500
5955-21-460-0820	11500	3633.333
5955-21-460-0826	12157.5	3852.500
5955-21-460-2929	12424	3941.333
5955-21-460-2931	12474	3958.000
5955-21-460-1307	12921	4107.000
5955-21-460-0848	13510	4303.333
5955-21-460-0856	14660	4686.667
5955-21-460-0863	16005	5135.000
5955-21-460-2932	16564	5321.333
5955-21-460-2935	16626	5342.000
5955-21-460-2936	16632	5344.000
5955-21-460-1773	17228	5542.667
5955-21-460-2933	22102	5325.500
5955-21-460-2934	22151	5337.750
5955-21-460-1770	22449	5412.250

Table 295

CRYSTAL UNIT, QUARTZ: TYPE FT-243

Illustration No. 1

Use: XFK Frequency Shift Keyer u/w PV500HM

Spec: MIL

NATOSC: 81349

NATO Stock No.	Channel Freq Kc	Crystal Freq Kc
5955-21-460-2078	4580	4380.000
5955-21-460-2079	6865	3232.500
5955-21-460-2080	9975	4787.500
5955-21-460-2081	10446	5023.000
5955-21-460-2082	13809	4403.000

Table 297

CRYSTAL UNIT, QUARTZ: TYPE CR-27/U

Illustration No. 2

Formula: $f_x = f_c - 200 \text{ Kc}$

N

Use: XFK Frequency Shift Keyer u/w TH-41B

Spec: MIL-C-3098B

NATOSC: 81349

NATO Stock No.	Channel Freq Kc	Crystal Freq Kc
5955-21-460-1305	2746	2546.000
5955-21-460-1766	3287	3087.000
5955-21-460-1746	3394	3194.000
5955-21-460-1302	4271	4071.000
5955-21-460-2172	4277	4077.000
5955-21-460-3051	4286	4086.000
5955-21-460-3144	4349	1974.500
5955-21-460-3145	4358	1979.000
5955-21-460-0855	4850	4650.000
5955-21-460-0800	5735	2667.500
5955-21-460-2173	6393.5	2996.750
5955-21-460-2558	6400.5	3000.250
5955-21-460-1684	6425	3012.500
5955-21-460-2593	6445.25	3022.625
5955-21-460-1685	6446	3023.000
5955-21-460-1691	6800	3200.000
5955-21-460-0819	7515	3557.500
5955-21-460-0824	7985	3792.500
5955-21-460-1302	8542	4071.000
5955-21-460-2174	8544	4072.000
5955-21-460-1307	8614	4107.000
5955-21-460-2175	8662	4131.000
5955-21-460-0850	9055	4327.500
5955-21-460-0857	9780	4690.000
5955-21-460-1747	9890	4745.000
5955-21-460-1679	10945	2536.250
5955-21-460-1134	11500	2675.000

(continued next column)



CRYSTAL UNITS, QUARTZ

Table 297 Type CR-27/U (Contd)

NATO Stock No.	Channel Freq Kc	Crystal Freq Kc
5955-21-460-1682	12157.5	2839.375
5955-21-460-1683	12813	3003.250
5955-21-460-1687	12921	3030.250
5955-21-460-1184	13384	3146.000
5955-21-460-1690	13510	3177.500
5955-21-460-1692	14660	3465.000
5955-21-460-1693	15664	3716.000
5955-21-460-1304	16005	3801.250
5955-21-460-3042	17079.2	4069.800
5955-21-460-1302	17084	4071.000
5955-21-460-2200	17218.4	4104.600
5955-21-460-1307	17228	4107.000
5955-21-460-1310	18800	4500.000
5955-21-460-0812	20215	3169.167
5955-21-460-1308	22449	3541.500
5955-21-460-1303	22629	3571.500
5955-21-460-1767	23125	3654.167

Table 299

CRYSTAL UNIT, QUARTZ: TYPE FT-243

Illustration No. 1

Use: XFK Frequency Shift Keyer u/w TH-41B

Spec: MIL

NATOSC: 81349

NATO Stock No.	Channel Freq Kc	Crystal Freq Kc
5955-21-460-1717	3394	3194.000
5955-21-460-2176	4277	4077.000
5955-21-460-2177	6393.5	2996.750
5955-21-460-2178	8544	4072.000
5955-21-460-2179	8662	4131.000
5955-21-460-1719	9890	4745.000
5955-21-460-1720	13580	3177.500

Table 301

CRYSTAL UNIT, QUARTZ: TYPE CR-27/U

Illustration No. 2

Formula: $f_x = f_c - 200 \text{ Kc}$

N

Use: XFK Frequency Shift Keyer u/w TH-58

Spec: MIL-C-3098B

NATOSC: 81349

NATO Stock No.	Channel Freq Kc	Crystal Freq Kc
5955-21-460-2033	4246	1923.000
5955-21-460-2034	6498.5	1424.625
5955-21-460-2033	8492	1923.000
5955-21-460-2035	12738	1392.250
5955-21-460-2033	16984	1923.000

Table 303

CRYSTAL UNIT, QUARTZ: TYPE FT-243

Illustration No. 1

Use: XFK Frequency Shift Keyer u/w XFL

Spec: MIL

NATOSC: 81349

NATO Stock No.	Channel Freq Kc	Crystal Freq Kc
5955-21-460-2198	106.2	2200.000

Table 304

CRYSTAL UNIT, QUARTZ:

Dimensions: C: 2.000 D: 1.328

Use: AN/ARC-2 Receiver

Spec: Commercial

NATOSC: 13499

Note: No channel frequency

NATO Stock No.	Crystal Freq Kc	Ref. No.
5955-21-762-0039	100	291-0004-00

Table 304-1

CRYSTAL UNIT, QUARTZ:

Illustration No. 6

Dimensions: C: 2.000 D: 1.125

Use: AN/AQS-4C Sonar

Spec: Commercial

NATOSC: 96214

Note: No channel frequency

NATO Stock No.	Crystal Freq Kc	Ref. No.
5955-21-762-0040	100.8	28019-1
5955-21-762-0041	120.0	28019-7
5955-21-762-0042	121.0	28019-2
5955-21-762-0043	122.0	28019-6
5955-21-762-0044	140.0	28019-5
5955-21-762-0045	142.0	28019-3
5955-21-762-0046	144.0	28019-4



CRYSTAL UNITS, QUARTZ

Table 304-2

CRYSTAL UNIT, QUARTZ:
 Illustration No. 6
 Dimensions: C: 0.594 D: 1.000
 E: 0.125 G: 0.750
 Use: AN/ART-28 Transmitter
 Spec: Commercial
 NATOSC: 79066
 Note: No channel frequency

NATO Stock No.	Crystal Freq Kc	Ref. No.
5955-21-762-0049	12564	VP3

Table 305

CRYSTAL UNIT, QUARTZ:
 Use: AN/FSQ-T501 Training Set
 Spec: Commercial
 NATOSC: 45413
 Note: No channel frequency

NATO Stock No.	Crystal Freq Kc	Ref. No.
5955-21-460-3059	2000.00	296-1A3075

Table 307

CRYSTAL UNIT, QUARTZ:
 Use: AN/SPG-48 Radar
 Spec: Commercial
 NATOSC: 64959
 Note: No channel frequency

NATO Stock No.	Crystal Freq Kc	Ref. No.
5955-21-460-1198	163.881	GA50144

Table 309

CRYSTAL UNIT, QUARTZ:
 Use: AN/SPN-7 Radar
 Spec: Commercial
 NATOSC: 49671
 Note: No channel frequency

NATO Stock No.	Crystal Freq Kc	Ref. No.
5955-21-460-0952	100.00	VC-5M

Table 311

CRYSTAL UNIT, QUARTZ:
 Illustration No. 5
 James Knights Type G-9
 Dimensions: C: 4.000 max
 D: 1.187 max
 Use: AN/SQS-503 Sonar
 Spec: Commercial
 NATOSC: 75378
 Note: No channel frequency

NATO Stock No.	Crystal Freq Kc
5955-21-460-2471	8.5
5955-21-460-2226	10.0
5955-21-460-2470	11.5

Table 312

CRYSTAL UNIT, QUARTZ: TYPE
 TYPE BH-6A
 Illustration No. 2
 Dimensions: A: 0.750 B: 0.344
 C: 0.797 E: 0.234
 F: 0.050 G: 0.486
 Use: AN/TSM-6 Test Set
 Spec: Commercial
 NATOSC: 71034
 Note: No channel frequency

NATO Stock No.	Crystal Freq Mc
5955-21-762-0024	32.390
5955-21-762-0025	32.540
5955-21-762-0026	32.690
5955-21-762-0027	32.840
5955-21-762-0028	32.990
5955-21-762-0029	33.140
5955-21-762-0030	33.290
5955-21-762-0031	33.440
5955-21-762-0048	33.590
5955-21-762-0032	33.740
5955-21-762-0033	33.890
5955-21-762-0034	34.040
5955-21-762-0035	34.190
5955-21-762-0036	34.340
5955-21-762-0037	34.490
5955-21-762-0038	34.640



CRYSTAL UNITS, QUARTZ

Table 313

CRYSTAL UNIT, QUARTZ:
 Use: AN/UQC-1B Radio Set
 Spec: Commercial
 NATOSC: 64959
 Note: No channel frequency

NATO Stock No.	Crystal Freq Kc	Ref. No.
5955-21-460-1150	16.175	21NA

Table 315

CRYSTAL UNIT, QUARTZ:
 Illustration No. 1
 James Knights Type H16S
 Dimensions: A: 1.200 B: 0.558
 C: 1.727 E: 0.650
 F: 0.093 G: 0.486
 Use: AN/UQN-1B Sonar
 Spec: Commercial
 NATOSC: 75378
 Note: No channel frequency

NATO Stock No.	Crystal Freq Kc
5955-21-460-5002	114.00
5955-21-460-5000	130.00
5955-21-460-5001	142.00

Table 317

CRYSTAL UNIT, QUARTZ:
 Use: AN/URC-32 Radio Set
 Spec: Commercial
 NATOSC: 13499
 Note: No channel frequency

NATO Stock No.	Crystal Freq Kc	Illust. No.	Ref. No.
E 5955-00-678-1959	1942.00	2	290-7540-00
E 5955-00-678-1958	1944.00	2	290-7542-00
E 5955-00-678-1956	3000.00	5	290-5430-00
E 5955-00-678-1960			290-7541-00
E 5955-00-678-1957			290-7543-00
E 5955-00-679-9449			542-7288-002

Table 319

CRYSTAL UNIT, QUARTZ:
 Illustration No. 3
 C.R. Snelgrove Type S-17T
 Dimensions: A: 0.750 B: 0.344
 C: 1.526 E: 0.250
 F: 0.050 G: 0.486
 Use: AN/URR-501A Receiver
 Spec: Commercial
 NATOSC: 02533
 Note: No channel frequency

NATO Stock No.	Crystal Freq Kc
5955-21-460-3112	99.890
5955-21-460-3111	99.964
5955-21-460-3109	100.036
5955-21-460-3110	100.110

Table 321

CRYSTAL UNIT, QUARTZ
 Use: AR-88LF Receiver
 Spec: Commercial
 NATOSC: 49671
 Note: No channel frequency

NATO Stock No.	Crystal Freq Kc	Ref. No.
5955-21-460-2482	735.00	MI-19454-2

Table 323

CRYSTAL UNIT, QUARTZ:
 Illustration No. 5
 Dimensions: C: 1.969 D: 1.391
 Use: BC-221 Radio Set
 Spec: Commercial
 NATOSC: 71034
 Note: No channel frequency

NATO Stock No.	Crystal Freq Kc	Ref. No.
5955-21-460-1130	1000.00	MS433

Table 325

CRYSTAL UNIT, QUARTZ:
 Use: CFHTRU-1BL Receiver
 Spec: Commercial
 NATOSC: 74238

NATO Stock No.	Channel Freq Mc	Crystal Freq Mc
5955-21-460-2765	154.37	31.294
5955-21-460-1775	155.13	31.446



CRYSTAL UNITS, QUARTZ

Table 327

CRYSTAL UNIT, QUARTZ:
Use: CFHTRU-1BL Transmitter
Spec: Commercial
NATOSC: 74238

NATO Stock No.	Channel Freq Mc	Crystal Freq Kc
5955-21-460-2766	154.37	4824.062
5955-21-460-1774	155.13	4847.800

Table 329

CRYSTAL UNIT, QUARTZ:
Use: CFMTRU Receiver
Spec: Commercial
NATOSC: 80211

NATO Stock No.	Channel Freq Mc	Crystal Freq Kc	Ref. No.
5955-21-460-2556	155.67	9257.059	48C85412

Table 331

CRYSTAL UNIT, QUARTZ:
Use: CFMTRU Transmitter
Spec: Commercial
NATOSC: 80211

NATO Stock No.	Channel Freq Mc	Crystal Freq Kc
5955-21-460-2555	155.67	3243.125

Table 333

CRYSTAL UNIT, QUARTZ:
Use: CMFTRU-30D and CMFTRU-5V Receivers
Spec: Commercial
NATOSC: 74238

NATO Stock No.	Channel Freq Mc	Crystal Freq Kc	Ref. No.
5955-21-460-1892	154.37	9180.588	48C85712-101

Table 335

CRYSTAL UNIT, QUARTZ:
Use: CMFTRU-30D and CMFTRU-5V Transmitters
Spec: Commercial
NATOSC: 74238

NATO Stock No.	Channel Freq Mc	Crystal Freq Kc	Ref. No.
5955-21-460-1891	154.37	3216.041	48B85327-101

Table 337

CRYSTAL UNIT, QUARTZ:
Illustration No. 2
Bliley Type SR10
Dimensions: A: 0.719 B: 0.312
C: 0.797 E: 0.406
F: 0.093 G: 0.486
Use: CNF-4 Radio Set
Spec: Commercial
NATOSC: No channel frequency

NATO Stock No.	Crystal Freq Kc
5955-21-460-1261	455.00
5955-21-460-1262	1000.00

Table 339

CRYSTAL UNIT, QUARTZ:
Illustration No. 1
Formula: 1.6 to 3.0 Mc $fx = fc + 465 \text{ Kc}$
3.0 to 6.0 Mc $fx = fc - 465 \text{ Kc}$
Marconi Type 117-424 holder
Use: CN36 Receiver
Spec: Commercial
NATOSC: 90073

NATO Stock No.	Channel Freq Kc	Crystal Freq Kc
5955-21-460-3179	2003	2468.00
5955-21-460-3181	2182	2647.00
5955-21-460-2550	2410	2875.00
5955-21-460-3182	2514	2979.00
5955-21-460-3183	2550	3015.00
5955-21-460-3184	2582	3047.00
5955-21-460-3180	3023.5	2558.50
5955-21-460-3185	4415.8	3950.80

Table 341

CRYSTAL UNIT, QUARTZ:
Illustration No. 1
Formula: $fx = fc$
Marconi Type 117-424 holder
Use: CN36 Transmitter
Spec: Commercial
NATOSC: 90073

NATO Stock No.	Channel Freq Kc	Crystal Freq Kc
5955-21-460-3172	2003	2003.00
5955-21-460-3173	2118	2118.00
5955-21-460-3174	2158	2158.00
5955-21-460-3175	2182	2182.00
5955-21-460-3176	2206	2206.00
5955-21-460-2559	2410	2410.00
5955-21-460-3177	3023.5	3023.50
5955-21-460-3178	4110.8	4110.80



CRYSTAL UNITS, QUARTZ

Table 343

CRYSTAL UNIT, QUARTZ:
Illustration No. 1
Marconi Type 120-167 holder
Use: CT-15 Radiophone
Spec: Commercial
NATOSC: 90073

NATO Stock No.	Channel Freq Kc	Crystal Freq Kc
5955-21-460-3022	2003	1538.00
5955-21-460-3015	2003	2003.00
5955-21-460-3016	2118	2118.00
5955-21-460-3017	2158	2158.00
5955-21-460-3023	2182	1717.00
5955-21-460-3018	2182	2182.00
5955-21-460-3019	2206	2206.00
5955-21-460-3024	2410	1945.00
5955-21-460-3020	2410	2410.00
5955-21-460-3025	2514	2049.00
5955-21-460-3026	2550	2085.00
5955-21-460-3027	2582	2117.00
5955-21-460-3028	3023.5	2558.50
5955-21-460-3021	3023.5	3023.50

Table 345

CRYSTAL UNIT, QUARTZ:
Use: CT-43GGV-5 Radiophone
Spec: Commercial

NATO Stock No.	Channel Freq Mc	Crystal Freq Kc
5955-21-460-2561	154.37	6432.083
5955-21-460-2560	154.37	28474.000

Table 347

CRYSTAL UNIT, QUARTZ:
Illustration No. 11
C.R. Snelgrove Type S-1
Dimensions: A: 0.422 B: 0.172
C: 0.516 E: 1.500
F: 0.018 G: 0.192
Use: CU-5032/SRR Antenna Coupler
Spec: Commercial
NATOSC: 02533
Note: No channel frequency

NATO Stock No.	Crystal Freq Kc
5955-21-460-2764	10000.00

Table 349

CRYSTAL UNIT, QUARTZ:
Use: CV-5047/URR Radio Frequency Converter
Spec: Commercial
NATOSC: 11028
Note: No channel frequency

NATO Stock No.	Crystal Freq Kc	Ref. No.
5955-21-460-3057	18.00	BD16065
5955-21-460-3056	89.96	BD16066

Table 351

CRYSTAL UNIT, QUARTZ:
Use: DAS Direction Finder
Spec: Commercial
Note: No channel frequency

NATO Stock No.	Crystal Freq Kc	Ref. No.
5955-21-460-0899	100.00	VC5-K

Table 353

CRYSTAL UNIT, QUARTZ:
Use: DS 13-E Transmitter and Monitor Equipment
Spec: Commercial
NATOSC: 09172
Note: No channel frequency

NATO Stock No.	Crystal Freq Kc	Ref. No.
5955-21-460-3061	100.00	RL7065-126R
5955-21-460-3063	3100.00	RL7065-144J
5955-21-460-3060	3200.00	RL7065-144E

Table 355

CRYSTAL UNIT, QUARTZ:
Use: E8501B FM Test Equipment
Spec: Commercial
NATOSC: 80211
Note: No channel frequency

NATO Stock No.	Crystal Freq Kc	Ref. No.
5955-21-460-3171	455.00	48A801065



CRYSTAL UNITS, QUARTZ

Table 359

CRYSTAL UNIT, QUARTZ:

Illustration No. 6

Bliley Type KY3

Dimensions: C: 1.188 D: 1.085
E: 0.375 G: 0.486

Use: GPT-750A Transmitter

Spec: Commercial

NATOSC: 71034

Note: No channel frequency

NATO Stock No.	Crystal Freq Kc
5955-21-460-2655	100.00

Table 361

CRYSTAL UNIT, QUARTZ:

RCA Type AC-95-B

Use: GT-20LF Transmitter Beacon

Spec: Commercial

NATOSC: 49671

NATO Stock No.	Channel Freq Kc	Crystal Freq Kc
5955-21-460-2799	228	228.000
5955-21-460-2303	278	278.000
5955-21-460-2745	353	353.000

Table 363

CRYSTAL UNIT, QUARTZ:

Bliley Type ART

Dimensions: A: 1.562 B: 1.188
C: 2.156 E: 0.562
F: 0.125

Use: MW Transmitter

Spec: Commercial

NATOSC: 71034

Note: No channel frequency

NATO Stock No.	Crystal Freq Kc
5955-21-460-1776	4000.2125
5955-21-460-1777	5000.2125

Table 365

CRYSTAL UNIT, QUARTZ:

Use: RA17C-3 Receiver

Spec: Commercial

NATOSC: 11028

Note: No channel frequency

NATO Stock No.	Crystal Freq Kc	Ref. No.
5955-21-460-3035	99.730	BD7934
5955-21-460-3034	99.890	BD7932
5955-21-460-3033	99.964	BD7930
5955-21-460-3030	100.036	BD7929
5955-21-460-3031	100.110	BD7931
5955-21-460-3032	100.270	BD7933
5955-21-460-3029	1000.000	BD7822

Table 367

CRYSTAL UNIT, QUARTZ:

Motorola Type HM10

Use: RB43GAB-5-60 (Receiver RTA-140-BW)

Spec: Commercial

NATOSC: 80211

NATO Stock No.	Channel Freq Mc	Crystal Freq Kc
5955-21-460-2562	149.15	2743.000

Table 369

CRYSTAL UNIT, QUARTZ:

Use: RB43GAB-5-60 (Transmitter CP-8461-B)

Spec: Commercial

NATO Stock No.	Channel Freq Mc	Crystal Freq Kc
5955-21-460-2563	149.15	6214.583

Table 371

CRYSTAL UNIT, QUARTZ:

Use: RT43GGV (Transmitter RTA-139A)

Spec: Commercial

NATOSC: 80211

NATO Stock No.	Channel Freq Mc	Crystal Freq Kc
5955-21-460-2564	149.15	6214.583
		HS1



RCN Catalogue of Materiel

5955

TABLES 359 TO 385

CRYSTAL UNITS, QUARTZ

Table 373

CRYSTAL UNIT, QUARTZ:

Illustration No. 1

James Knights Type H-12

Dimensions: A: 1.562 B: 0.687

C: 1.718 E: 0.625

F: 0.125 G: 0.750

Use: SA-5004/FRC Electronic Switch

Spec: Commercial

NATOSC: 75378

Note: No channel frequency

NATO Stock No.	Crystal Freq Kc
5955-21-460-2565	589.50

Table 375

CRYSTAL UNIT, QUARTZ:

Use: SP-600 Receiver

Spec: Commercial

Note: No channel frequency

NATO Stock No.	Crystal Freq Kc	Illust No.	NATOSC	Ref. No.
5955-21-460-0896	455	2	71034	VX4
5955-21-460-0895	3500	15	71034	VX2

Table 377

CRYSTAL UNIT, QUARTZ:

Use: SP-600JX Receiver

Spec: Commercial

NATOSC: 73035

NATO Stock No.	Channel Freq Kc	Crystal Freq Kc	Ref. No.
5955-21-460-3115	2746		
5955-21-460-3116	4570		
5955-21-460-3117	4850		
5955-21-460-2746	5735	5735.000	31473-5735.000KC
5955-21-460-2747	6855	6855.000	31473-6855.000KC
5955-21-460-2748	7985	7985.000	31473-7985.000KC
5955-21-460-2749	9043	9043.000	31473-9043.000KC
5955-21-460-2750	9780	9780.000	3143-9780.000KC
5955-21-460-2751	10945	10945.000	31473-10945.000KC
5955-21-460-2752	11500	11500.000	31473-11500.000KC
5955-21-460-2753	13510	13510.000	31473-13510.000KC
5955-21-460-2754	15664	15664.000	31473-15664.000KC
5955-21-460-2755	17560	17560.000	31473-17560.000KC
5955-21-460-2756	24380	24380.000	31473-24380-000KC

Table 379

CRYSTAL UNIT, QUARTZ:

Illustration No. 6

Dimensions: C: 0.937 D: 1.562

F: 0.125 G: 0.750

Use: SU Radar

Spec: Commercial

NATOSC: 79066

Note: No channel frequency

NATO Stock No.	Crystal Freq Kc	Ref. No.
5955-21-460-0897	81.940	XLS

Table 381

CRYSTAL UNIT, QUARTZ:

Illustration No. 7

Dimensions: A: 0.937 B: 0.406 C: 0.500

Use: SX-62 Receiver

Spec: Commercial

NATOSC: 26916

Note: No channel frequency

NATO Stock No.	Crystal Freq Kc	Ref. No.
5955-21-460-2039	455.00	19A123

Table 383

CRYSTAL UNIT, QUARTZ:

Use: SX-62A Receiver

Spec: Commercial

NATOSC: 26916

Note: No channel frequency

NATO Stock No.	Crystal Freq Kc	Ref. No.
5955-21-460-2061	500.00	19A1211

Table 385

CRYSTAL UNIT, QUARTZ:

Illustration No. 4

Collins Radio Type 1G Holder

Dimensions: A: 2.187 B: 1.625 C: 1.187

E: 0.500 F: 0.156

Use: TCS Transmitter

Spec: Commercial

NATOSC: 07216

NATO Stock No.	Channel Freq Kc	Crystal Freq Kc
5955-21-460-2054	3261	1630.50
5955-21-460-2059	5172	2586.00
5955-21-460-2060	5190	2595.00

(continued next column)



CRYSTAL UNITS, QUARTZ

Table 385 (Contd)

NATO Stock No.	Channel Freq Kc	Crystal Freq Kc
5955-21-460-2055	6800	1700.00
5955-21-460-2056	7985	1996.25
5955-21-460-2057	9480	2370.00
5955-21-460-2058	9890	2472.50

Table 387

CRYSTAL UNIT, QUARTZ:

Illustration No. 3

Knights Type H-17T

Dimensions: A: 0.720 B: 0.309 C: 1.506
E: 0.288 F: 0.050 G: 0.486

Use: TE-147 Transmitter

NATOSC: 75378

NATO Stock No.	Channel Freq Kc	Crystal Freq Kc
5955-21-460-2094	73.6	73.600

Table 389

CRYSTAL UNIT, QUARTZ:

Use: TE-149 Radio Set

Spec: Commercial

NATOSC: 49671

Note: No channel frequency

NATO Stock No.	Crystal Freq Kc	Ref. No.
5955-21-460-0898	1000.00	SPECIAL

Table 391

CRYSTAL UNIT, QUARTZ:

Illustration No. 13

C.R. Snelgrove Type S-164

Dimensions: C: 1.250 D: 2.250
E: 0.500 F: 0.187

Use: TE-260-N Transmitter

Spec: Commercial

NATOSC: 49671

NATO Stock No.	Channel Freq Kc	Crystal Freq Kc	Ref. No.
5955-21-460-2227	482	482.00	AC-95-B

Table 393

CRYSTAL UNIT, QUARTZ:

Use: Transmitter Beacon

Spec: Commercial

NATO Stock No.	Channel Freq Kc	Crystal Freq Kc
5955-21-460-2304	359	359.000
5955-21-460-2305	534	534.000

Table 395

CRYSTAL UNIT, QUARTZ:

Use: VM0115 Variable Master Oscillator

Spec: Commercial

Note: No channel frequency

NATO Stock No.	Crystal Freq Kc	NATOSC	Ref. No.
5955-21-460-0894	100	77376	PL100

Table 397

CRYSTAL UNIT, QUARTZ:

Illustration No. 5

Dimensions: C: 2.000 D: 1.250

Use: XA-1-A and XB-1-A
Microwave Systems

Note: No channel frequency

NATO Stock No.	Crystal Freq Kc
5955-21-460-2599	260.00

Table 399

CRYSTAL UNIT, QUARTZ:

Use: YE-2 Beacon

Spec: Commercial

NATOSC: 49671

NATO Stock No.	Channel Freq Mc	Crystal Freq Mc
5955-21-460-1129	246	13.6667



RCN Catalogue of Materiel

5955

TABLES 385 TO 405

CRYSTAL UNITS, QUARTZ

Table 401

CRYSTAL UNIT, QUARTZ:

Use: 12UF Receiver

Spec: Commercial

NATOSC: 79615

NATO Stock No.	Channel Freq Mc	Crystal Freq Kc
5955-21-460-1713	39.78	4347.50
5955-21-460-1714	2nd oscillator	5456.00

Table 403

CRYSTAL UNIT, QUARTZ:

Illustration No. 2

Formula: 2.0 to 7.5 Mc $fx = fc + 455 Kc$
 7.5 to 18.5 Mc $fx = fc - 455 Kc$

Dimensions: A: 1.160 B: 0.450 C: 1.285 max
 E: 0.625 F: 0.125 G: 0.500

Use: 18S-4/B Receiver

Spec: Commercial

NATOSC: 07216

NATO Stock No.	Channel Freq Kc	Crystal Freq Kc	Ref. No.
5955-21-460-2483	3023.5	3478.50	291-2791-00
5955-21-460-2484	3039	3494.00	290-4732-00
5955-21-460-2485	3046	3501.00	290-5017-00
5955-21-460-2486	3053	3508.00	291-2673-00
5955-21-460-2487	3060	3515.00	291-2538-00
5955-21-460-2488	3081	3536.00	290-2587-00
5955-21-460-2489	3095	3550.00	290-5016-00
5955-21-460-2490	3116	3571.00	290-2692-00
5955-21-460-2767	3130	3585.00	290-4901-00
5955-21-460-2862	3133.5	3133.50	290-9807-00
5955-21-460-2768	3151	3606.00	290-5102-00
5955-21-460-2491	3850	4305.00	290-4902-00
5955-21-460-2769	4703.5	5158.50	290-2654-00
5955-21-460-2492	4738.5	5193.50	290-4822-00
5955-21-460-3100	4745.5	5200.50	
5955-21-460-2770	5688	6143.00	290-2538-00
5955-21-460-2771	5695.5	6150.50	290-4815-00
5955-21-460-2493	5703	6158.00	290-4903-00
5955-21-460-2772	5710.5	6165.50	291-2826-00
5955-21-460-2494	5718	6173.00	290-4824-00
5955-21-460-2863	6318	3159.00	290-9808-00
5955-21-460-3093	6537	6992.00	
5955-21-460-2773	6567	7022.00	290-2631-00
5955-21-460-2495	6685	7140.00	290-2623-00
5955-21-460-2496	6693	7148.00	290-5019-00
5955-21-460-2497	6708	7163.00	291-2796-00
5955-21-460-2774	6715	7170.50	290-4904-00

(continued next column)

Table 403 (Contd)

NATO Stock No.	Channel Freq Kc	Crystal Freq Kc	Ref. No.
5955-21-460-2775	6730.5	7185.50	291-2827-00
5955-21-460-2498	6745.5	7200.50	290-4905-00
5955-21-460-2776	6753	7208.00	291-2829-00
5955-21-460-2777	7342.5	7797.50	290-5103-00
5955-21-460-2499	8364	3954.50	291-2894-00
5955-21-460-3091	8837	3963.50	
5955-21-460-3092	8871	3980.50	
5955-21-460-2778	8913.5	4229.50	291-2897-00
5955-21-460-3005	8947.5	4246.25	291-2896-00
5955-21-460-3081	8965	4027.50	
5955-21-460-2500	8967	4256.00	290-2698-00
5955-21-460-2501	8992.5	4268.75	290-2624-00
5955-21-460-3069	9007.5	4276.25	
5955-21-460-2502	9009.5	4277.25	290-2540-00
5955-21-460-3082	9011.5	4050.75	
5955-21-460-2779	11190	5367.50	291-2798-00
5955-21-460-2780	11209	5377.00	291-2691-00
5955-21-460-2503	11247	5396.00	290-5020-00
5955-21-460-2781	11273	5409.00	290-4823-00
5955-21-460-2782	13255.5	6400.25	290-5104-00
5955-21-460-3083	15036	7063.00	

Table 405

CRYSTAL UNIT, QUARTZ:

Illustration No. 2

Formula: 2.0 to 5.999 Mc $fx = fc$
 6.0 to 18.5 Mc $fx = fc$

Dimensions: A: 1.160 B: 0.450 C: 1.315
 E: 0.625 F: 0.125 G: 0.500

Use: 18S-4/B Transmitter

Spec: Commercial

NATOSC: 07216

NATO Stock No.	Channel Freq Kc	Crystal Freq Kc	Ref No.
5955-21-460-2504	3023.5	3023.50	291-5750-00
5955-21-460-2505	3039	3039.00	290-3085-00
5955-21-460-2506	3046	3046.00	290-7911-00
5955-21-460-2507	3053	3053.00	290-3087-00
5955-21-460-2508	3060	3060.00	290-3035-00
5955-21-460-2509	3081	3081.00	291-5938-00
5955-21-460-2510	3095	3095.00	290-7910-00
5955-21-460-2511	3116	3116.00	290-3028-00
5955-21-460-2783	3130	3130.00	290-7832-00
5955-21-460-2860	3133.5	3588.50	290-5132-00
5955-21-460-2784	3151	3151.00	290-9773-00
5955-21-460-2512	3850	3850.00	290-7833-00
5955-21-460-2785	4703.5	4703.50	290-2993-00

(continued next column)

CRYSTAL UNITS, QUARTZ

Table 405 (Contd)

NATO Stock No.	Channel Freq Kc	Crystal Freq Kc	Ref. No.
5955-21-460-2513	4738.5	4738.50	290-7770-00
5955-21-460-3099	4745.5	4745.50	
5955-21-460-2786	5688	5688.00	291-5893-00
5955-21-460-2787	5695.5	5695.50	290-7763-00
5955-21-460-2514	5703	5703.00	290-7834-00
5955-21-460-2788	5710.5	5710.50	291-5779-00
5955-21-460-2515	5718	5718.00	290-7772-00
5955-21-460-2861	6318	6773.00	290-5133-00
5955-21-460-3088	6537	3268.50	
5955-21-460-2789	6567	3283.50	290-2968-00
5955-21-460-2516	6685	3342.50	290-2951-00
5955-21-460-2517	6693	3346.50	290-7913-00
5955-21-460-2518	6708	3354.00	291-5755-00
5955-21-460-2790	6715.5	3357.75	290-7835-00
5955-21-460-2791	6730.5	3365.25	291-5780-00
5955-21-460-2519	6745.5	3372.75	290-7836-00
5955-21-460-2792	6753	3376.50	291-5782-00
5955-21-460-2793	7342.5	3671.25	290-9774-00
5955-21-460-2520	8364	4182.00	291-5855-00
5955-21-460-3089	8837	4418.50	
5955-21-460-3090	8871	4435.50	
5955-21-460-2794	8913.5	4456.75	291-5858-00
5955-21-460-3006	8947.5	4473.75	291-5857-00
5955-21-460-3084	8965	4482.50	
5955-21-460-2521	8967	4483.50	290-3035.00
5955-21-460-2522	8992.5	4496.25	290-2952-00
5955-21-460-3068	9007.5	4503.75	
5955-21-460-2523	9009.5	4504.75	291-5895-00
5955-21-460-3085	9011.5	4505.75	
5955-21-460-2795	11190	5595.00	291-5757-00
5955-21-460-2796	11209	5604.50	290-3027-00
5955-21-460-2524	11247	5623.50	290-7914-00
5955-21-460-2797	11273	5636.50	290-7771-00
5955-21-460-2798	13255.5	6627.75	290-9775-00
5955-21-460-3086	15036	7518.00	

Table 407

CRYSTAL UNIT, QUARTZ:
Use: 25UFS Transmitter
Spec: Commercial
NATOSC: 75615

NATO Stock No.	Channel Freq Mc	Crystal Freq Kc
5955-21-460-1715	39.78	1243.125

Table 409

CRYSTAL UNIT, QUARTZ:

Use: 271 (Motorola) two-way radio
Spec: Commercial
NATOSC: 80211

NATO Stock No.	Channel Freq Mc	Crystal Freq Kc	Ref. No.
5955-21-460-2910	154.37	8455.00	Y-2

Table 410

CRYSTAL UNIT SET, QUARTZ:

Use: FSE-14 Oscillator u/w TE-147K
Spec: Commercial
NATOSC: 35894

Note: Crystals are selected matched pair and should not be handled unless necessary

NATO Stock No.	Quantity Units	Crystal Unit Data
5955-21-460-2598	2	1 CR-27/U 2000.000KC
		1 CR-27/U 2450.000KC

Table 411

CLIP, ELECTRICAL:

Use: As listed
Spec: Commercial

NATO Stock No.	Description
5955-21-460-2097	For AN/SPN-7 and AN/SPS-7 Phosphor bronze w/ silver plate finish; o/a dim 0.34375 in. lg x 0.250 in. wd x 0.34375 in. ht; one solder lug type term; max opening 0.1875 in.; holds 100 KC crystal unit; NATOSC 09706; Ref No. 284823.
5955-21-460-2180	For AN/URR-13 Illustration No. 16; 0.3125 in. dia size; beryllium copper w/ silver finish; o/a dim 0.4375 in. lg x 0.5625 in. wd x 0.408 in. ht; NATOSC 21964; Ref No. FRE-11109-1.

CRYSTAL UNITS, QUARTZ

Table 413

EXTRACTOR, CRYSTAL UNIT:

Use: As listed

Spec: Commercial

NATO Stock No.	Description
5955-21-460-1881	For FTL-14A NATOSC 09712; Ref No. FERA-3050-2.

Table 415

GAUGE, CRYSTAL UNIT (CR-24/U):

Spec: RCN

NATO Stock No.	Description
5955-21-460-3067	For CR-24/U crystal units Steel; o/a dim 2.5 lg x 0.6875 in. wd; has horizontal opening 0.401 wd x 0.4375 in. dp; has two vertical slots 0.265 in. wd x 0.4375 in. dp, one each side of horizontal opening; eliminates oversize crystal units; NATOSC 35084, Ref No. 531708.

Table 417

HOLDER, QUARTZ CRYSTAL:

Use: As listed

Spec: Commercial

NATO Stock No.	Description
5955-21-460-2215	For AN/SPM-501 o/a dim 1.00 in. lg x 0.25 in. wd x 0.5 in. thk; NATOSC 76487; Ref No. 33302B
5955-21-460-2585	For General Use Illustration No. 1. Two crystal plates accommodated; o/a dim 1.594 lg x 0.687 wd x 1.562 in. ht; 0.594 in. pin lg; 0.125 in. pin dia; 0.750 in. pin spacing; no internal heating element; NATOSC 90073; Ref No. 120-167 or 120-250.

Table 419

OVEN, CRYSTAL:

Use: As listed

Spec: Commercial

NATO Stock No.	Description
5955-21-460-2062	For AN/GRC-27 Receiver For crystal units; operates on 115 VAC 60 cps, single phase; one section 30 watts and one section 70 watts; temp.

(continued next column)

Table 419 (Contd)

NATO Stock No.	Description
5955-21-460-2062 (Contd)	indicating device not incl; 2 wire lead term; o/a dim. 2.875 lg x 4.328125 dia; eight mtg holes equally spaced on 2.875 dia circle; NATOSC 90073; Ref. No. 505-0908-004
5955-21-460-2667	For AN/GRD-501 Direction Finder For 2 type CR-42/U crystal units or equivalent; oven temp 75 or 85 deg C ± 3 deg C tol; operates on 6.3 volts; o/a dim 1.28 dia x 4.25 max. ht; octal socket mtg; NATOSC 75378; Ref. No. JK09S.
5955-21-460-2003	For AN/GRR-7 Receiver (Oscillator R361B/GR) For 1 type H-17 crystal unit; oven temp 75 ± 5 deg C; operates on 6 VAC, 60 cps; temp indicating device not incl; o/a dim 1.260 wd x 2.112 total ht; plug-in mtg; NATOSC 90073; Ref. No. B2180-1
5955-21-460-2308	For AN/URD-4 Direction Finder For 1 type CR-28/U crystal unit; oven temp 75 ± 5 deg C; operates on 19 VAC, 60 cps, single phase; temp indicating device not incl; 4 pin type term; o/a dim 1.40 lg x 1.00 wd x 1.98 ht; plug-in mtg; NATOSC 06845-Ref No. N200448-1
5955-21-460-2307	For AN/URD-4 Direction Finder For 5 type CR-27/U crystal units; oven temp 75 ± 5 deg C; operates on 19 VAC, 60 cps, single phase; temp indicating device not incl; 8 solder lug type term; o/a dim 2.25 lg x 1.84 wd x 3.30 ht; one No. 4-40 thd mtg insert bracket on base and two No. 5-40 thd mtg holes on 1.562 in. centres; provision for 1 spare crystal unit; NATOSC 06845; Ref. No. L205628-2
5955-21-460-2306	For AN/URD-4 Direction Finder For 12 type CR-27/U crystal units; oven temp 75 ± 5 deg C; operates on 26.5 VAC, 60 cps, single phase; temp indicating device not incl; 16 solder lug type term; o/a dim 2.04 lg x 3.56 wd x 3.00 ht; two No. 5-40 thd mtg holes; NATOSC 06845; Ref No. N205651-2
5955-21-460-2654	For AN/URM-79 Frequency Meter For 1 type CR-36/U crystal unit; oven temp 85 ± 2 deg C; operates on

(continued next column)

CRYSTAL UNITS, QUARTZ

Table 419 (Contd)

NATO Stock No.	Description
5955-21-460-2654 (Contd)	115 VAC, 50-1000 cps, single phase; temp indicating device not incl; 8 pin type term; o/a dim 4.00 lg x 1.884 wd x 1.446 ht; plug-in mtg; NATOSC 35225; Ref No. CAL953K00000006
5955-21-460-3062	For DS 13-E Transmitting and Monitor Equipment NATOSC 09172; Ref. No. 176-LRU44A
5955-21-460-3080	For FSE-14 Oscillator - Illustration No. 17 For 1 or 2 Snelgrove type S-17 crystal units; oven temp 75 deg C; operates on 6 VAC/VDC; temp indicating device not incl; 8 pin type term; o/a dim 1.280 dia x 1.750 ht (excl term); octal socket mtg; NATOSC 02533; Ref. No. SO-2 (75 deg C, 6.3 volts)
5955-21-460-3189	For TIS-3 Frequency Shift Keyer - Illustration No. 17 For 2 type HC-6/J or HC-13/U crystal unit holders; oven temp 75 ± 2 deg C; operates on 6.3 VAC, 60 cps, single phase; 8 pin type term; o/a dim 1.250 dia x 1.59375 ht; octal socket mtg; NATOSC 71034; Ref. No. TCO-14
5955-21-460-2282	For General Use; Illustration No. 4 For 1 Bliley type MC.9 crystal unit; oven temp stabilized at 75 deg C; operates at 6.3 volts, 0.85 amp; temp

(continued next column)

Table 419 (Contd)

NATO Stock No.	Description
5955-21-460-2282 (Contd)	indicating device not incl; 5 pin type term; o/a dim 1.5625 lg x 1.1875 wd x 2.15625 ht; plug-in mtg; NATOSC 71034; Ref. No. ART
5955-21-460-1879	For General Use: Illustration No. 17 For 2 type CR-27/U crystal units; oven temp 75 ± 1 deg C; operates on 6.3 VAC/VDC; temp indicating device not incl; o/a dim 1.260 dia x 1.635 ht; octal socket mtg; NATOSC 75378; Ref No. JKO-2

Table 421

RETAINER, CRYSTAL HOLDER:
Use: As listed
Spec: Commercial

NATO Stock No.	Description
5955-21-460-2218	For DAS-1 and 3: Nickel alloy; o/a dim 4.6875 lg x 0.750 wd; has strap w/two right angle bends in one direction and one right angle bend in reverse direction making four sections respectively 3.00 lg, 1.25 lg, 0.250 lg and 0.1875 lg; two 0.15625 in. dia mtg holes on 0.28125 in. centers located 0.250 in. from free end of longest arm; retains crystal holder type 3K/ACX100; NATOSC 80990; Ref No. 60.557



CRYSTAL UNITS, QUARTZ

Table 423

CRYSTAL UNIT, QUARTZ: TYPE AX

Illustration No. 8

Dimensions: A: 1.531 B: 0.468
C: 1.687 E: 0.781
F: 0.171 G: 0.875

Spec: LC-136

NATOSC: 35084

Note: For listing by equipment and
channel frequency see Table 493

NATO Stock No.	Crystal Freq Mc
●5955-21-460-0000	16.3350
●5955-21-460-0001	16.4350
●5955-21-460-0002	18.0250
●5955-21-460-0003	18.1250
●5955-21-460-1698	18.2250

Table 425

CRYSTAL UNIT, QUARTZ: TYPE AY

Illustration No. 8

Dimensions: A: 1.531 B: 0.468
C: 1.687 E: 0.781
F: 0.171 G: 0.875

Spec: LC-136

NATOSC: 35084

Note: For listing by equipment and
channel frequency see Table 491

NATO Stock No.	Crystal Freq Mc
●5955-21-460-0004	15.0100
●5955-21-460-0005	15.1100
●5955-21-460-0006	16.7000
●5955-21-460-0007	16.8000
●5955-21-460-1699	16.9000

Table 427

CRYSTAL UNIT, QUARTZ: TYPE BY

Illustration No. 1

Dimensions: A: 1.594 B: 0.687
C: 1.718 E: 0.625
F: 0.125 G: 0.750

Spec: LC-136

NATOSC: 35084

Note: For listing by equipment and
channel frequency see Table 467

NATO Stock No.	Crystal Freq Kc
●5955-21-460-1853	2336.00
●5955-21-460-0027	2990.00
●5955-21-460-0028	3000.00

(continued next column)

Table 427 Type BY (Contd)

NATO Stock No.	Crystal Freq Kc
●5955-21-460-0030	3030.00
●5955-21-460-0031	3075.00
●5955-21-460-1314	3101.25
●5955-21-460-1315	3120.00
●5955-21-460-2111	3123.75
●5955-21-460-1313	3131.25
●5955-21-460-0949	3202.50
●5955-21-460-1239	3250.00
●5955-21-460-0033	3505.00
●5955-21-460-1880	3590.00
●5955-21-460-1951	3757.50
●5955-21-460-0037	3885.00
●5955-21-460-0038	4000.00
●5955-21-460-1854	4105.00
●5955-21-460-1312	4135.00
●5955-21-460-2110	4165.00
●5955-21-460-1311	4175.00
●5955-21-460-1237	4283.00
●5955-21-460-0040	4360.00
●5955-21-460-1862	4530.00
●5955-21-460-0041	5610.00
●5955-21-460-0042	5770.00

Table 429

CRYSTAL UNIT, QUARTZ: TYPE CY

Illustration No. 1

Dimensions: A: 1.594 B: 0.687
C: 1.718 E: 0.625
F: 0.125 G: 0.750

Spec: LC-136

NATOSC: 35084

Note: For listing by equipment and
channel frequency see Table 489

NATO Stock No.	Crystal Freq Kc
●5955-21-460-0046	6450.00
●5955-21-460-1367	6510.00
●5955-21-460-0047	6550.00
●5955-21-460-0048	6630.00
●5955-21-460-0914	6650.00
●5955-21-460-0049	6750.00
●5955-21-460-1887	6788.88
●5955-21-460-0050	6790.00
●5955-21-460-0051	6890.00
●5955-21-460-0052	7010.00
●5955-21-460-2077	7038.88
●5955-21-460-0053	7150.00

(continued next column)

Table 429 Type CY (Contd)

NATO Stock No.	Crystal Freq Kc
●5955-21-460-1368	7310.00
●5955-21-460-1866	7350.00
●5955-21-460-1867	7400.00
●5955-21-460-0054	7480.00
●5955-21-460-1868	7550.00
●5955-21-460-0055	7650.00
●5955-21-460-1869	7660.00
●5955-21-460-2005	7710.00
●5955-21-460-1369	7720.00
●5955-21-460-0056	7810.00
●5955-21-460-0057	7840.00
●5955-21-460-1870	7870.00
●5955-21-460-0058	7890.00
●5955-21-460-0059	7920.00
●5955-21-460-0060	7930.00
●5955-21-460-0061	7960.00
●5955-21-460-0062	7980.00
●5955-21-460-0063	8000.00
●5955-21-460-0064	8100.00
●5955-21-460-0065	8120.00
●5955-21-460-0066	8240.00
●5955-21-460-0067	8420.00
●5955-21-460-1370	8510.00

Table 431

CRYSTAL UNIT, QUARTZ: TYPE CZ

Illustration No. 1

Dimensions: A: 1.594 B: 0.687
C: 1.718 E: 0.625
F: 0.125 G: 0.750

Spec: LC-136

NATOSC: 35084

Note: For listing by equipment and
channel frequency see Table 487

NATO Stock No.	Crystal Freq Kc
●5955-21-460-0068	8001.43
●5955-21-460-0069	8007.69
●5955-21-460-0070	8018.82
●5955-21-460-1871	8020.00
●5955-21-460-0071	8036.25
●5955-21-460-0072	8070.00
●5955-21-460-1872	8080.00
●5955-21-460-1371	8090.77
●5955-21-460-1875	8103.75
●5955-21-460-0073	8126.25
●5955-21-460-0074	8146.15
●5955-21-460-0075	8155.71

(continued next column)



CRYSTAL UNITS, QUARTZ

Table 431 Type CZ (Contd)

NATO Stock No.	Crystal Freq Kc
●5955-21-460-0076	8160.00
●5955-21-460-0077	8171.25
●5955-21-460-0078	8176.00
●5955-21-460-2076	8192.86
●5955-21-460-0079	8205.00
●5955-21-460-0080	8209.41
●5955-21-460-0081	8227.50
●5955-21-460-0082	8250.00
●5955-21-460-0083	8256.92
●5955-21-460-1873	8260.00
●5955-21-460-0915	8284.62
●5955-21-460-1372	8304.71
●5955-21-460-0084	8335.71
●5955-21-460-0085	8362.50
●5955-21-460-0086	8380.00
●5955-21-460-0087	8385.00
●5955-21-460-1874	8392.00
●5955-21-460-0088	8423.08
●5955-21-460-2006	8452.00
●5955-21-460-1373	8464.00
●5955-21-460-1888	8476.92
●5955-21-460-0089	8478.46
●5955-21-460-1374	8541.43

Table 433

CRYSTAL UNIT, QUARTZ: TYPE FR
Illustration No. 1
Dimensions: A: 1.594 B: 0.687
C: 1.718 E: 0.625
F: 0.125 G: 0.750
Spec: LC-136
NATOSC: 35084
Note: For listing by equipment and channel frequency see Table 473

NATO Stock No.	Crystal Freq Kc
●5955-21-460-1857	2336.00
●5955-21-460-0142	3000.00
●5955-21-460-1396	3505.00
●5955-21-460-1397	3580.00
●5955-21-460-1398	3600.00
●5955-21-460-1399	3885.00
●5955-21-460-1400	4000.00

Table 435

CRYSTAL UNIT, QUARTZ: TYPE FS
Illustration No. 1
Dimensions: A: 1.594 B: 0.687
C: 1.718 E: 0.625
F: 0.125 G: 0.750
Spec: LC-136
NATOSC: 35084
Note: For listing by equipment and channel frequency see Table 475

NATO Stock No.	Crystal Freq Kc
●5955-21-460-1338	391.500

Table 437

CRYSTAL UNIT, QUARTZ: TYPE GR
Illustration No. 1
Dimensions: A: 1.594 B: 0.687
C: 1.718 E: 0.625
F: 0.125 G: 0.750
Spec: LC-136
NATOSC: 35084
Note: For listing by equipment and channel frequency see Table 469

NATO Stock No.	Crystal Freq Kc
●5955-21-460-1401	681.200
●5955-21-460-0916	690.300
●5955-21-460-1962	2273.00
●5955-21-460-1963	2671.00
●5955-21-460-1236	2757.00
●5955-21-460-1232	2770.00
●5955-21-460-1808	2827.00
●5955-21-460-1059	2847.00
●5955-21-460-1809	2875.00
●5955-21-460-1058	2985.00
●5955-21-460-1922	3093.00
●5955-21-460-1810	3227.00
●5955-21-460-1240	3230.00
●5955-21-460-1228	3291.00
●5955-21-460-1227	3419.00
●5955-21-460-1231	3575.00
●5955-21-460-1216	3702.00
●5955-21-460-1215	3708.00
●5955-21-460-1220	3989.50
●5955-21-460-1224	5511.00

●5955-21-460-1223	5519.00
●5955-21-460-1217	5811.50
●5955-21-460-1218	5815.50
●5955-21-460-1132	5850.50
●5955-21-460-1161	5871.00

(continued next column)

Table 437 Type GR (Contd)

NATO Stock No.	Crystal Freq Kc
●5955-21-460-1241	5925.00
●5955-21-460-0154	6025.00
●5955-21-460-1222	6128.00
●5955-21-460-1221	6137.00
●5955-21-460-1225	7293.33
●5955-21-460-1226	7319.33
●5955-21-460-1169	7425.00

Table 439

CRYSTAL UNIT, QUARTZ: TYPE HR
Illustration No. 1
Dimensions: A: 1.594 B: 0.687
C: 1.718 E: 0.625
F: 0.125 G: 0.750
Spec: LC-136
NATOSC: 35084
Note: For listing by equipment and channel frequency see Table 505

NATO Stock No.	Crystal Freq Kc
●5955-21-460-0167	2187.50
●5955-21-460-1416	2341.25
●5955-21-460-1439	3590.50
●5955-21-460-1441	3866.25

Table 441

CRYSTAL UNIT, QUARTZ: TYPE HT
Spec: LC-136
NATOSC: 35084
Note: For listing by equipment and channel frequency see Table 479

NATO Stock No.	Crystal Freq Kc
●5955-21-460-1259	2118.00
●5955-21-460-1332	2182.00
●5955-21-460-1331	2252.00
●5955-21-460-1858	2336.00
●5955-21-460-1330	2844.00



CRYSTAL UNITS, QUARTZ

Table 443

CRYSTAL UNIT, QUARTZ: TYPE JR

Illustration No. 1

Dimensions: A: 1.594 B: 0.687
C: 1.718 E: 0.625
F: 0.125 G: 0.750

Spec: LC-136

Note: For listing by equipment and channel frequency see Table 497

NATO Stock No.	Crystal Freq Kc
●5955-21-460-1725	1672.50
●5955-21-460-1442	2063.75
●5955-21-460-0959	2255.62

Table 445

CRYSTAL UNIT, QUARTZ: TYPE KM

Illustration No. 14

Dimensions: C: 0.625 D: 1.375
E: 0.625 F: 0.125
G: 0.750

Spec: LC-136

NATOSC: 35084

Note: For listing by equipment and channel frequency see Table 485

NATO Stock No.	Crystal Freq Kc
●5955-21-460-1860	2974.00
●5955-21-460-0253	3030.00
●5955-21-460-1319	3101.25
●5955-21-460-1865	3120.00
●5955-21-460-2104	3123.75
●5955-21-460-1246	3131.25
●5955-21-460-0923	3202.50
●5955-21-460-0925	3223.00
●5955-21-460-0258	3300.00
●5955-21-460-1447	3345.00
●5955-21-460-1863	3353.75
●5955-21-460-0264	3700.00
●5955-21-460-0928	4018.33
●5955-21-460-1318	4135.00
●5955-21-460-2103	4165.00
●5955-21-460-1245	4175.00
●5955-21-460-1451	4246.00
●5955-21-460-1855	4313.00
●5955-21-460-1856	4317.00
●5955-21-460-0935	5191.25
●5955-21-460-1456	5513.33
●5955-21-460-1320	5518.75
●5955-21-460-2106	5543.75

(continued next column)

Table 445 Type KM (Contd)

NATO Stock No.	Crystal Freq Kc
●5955-21-460-2105	5553.33
●5955-21-460-1244	5553.75
●5955-21-460-1247	5566.67
●5955-21-460-0303	5610.00
●5955-21-460-1820	5648.67
●5955-21-460-1095	5701.00
●5955-21-460-0306	5770.00
●5955-21-460-0309	5998.33

Table 447

CRYSTAL UNIT, QUARTZ: TYPE MK

Illustration No. 1

Dimensions: A: 0.812 B: 0.438
C: 1.172 E: 0.400
F: 0.093 G: 0.486

Spec: LC-136

NATOSC: 35084

Note: For listing by equipment and channel frequency see Tables 499 and 501

NATO Stock No.	Crystal Freq Kc
●5955-21-460-1784	2385.00
●5955-21-460-0316	2799.17
●5955-21-460-1464	3023.00
●5955-21-460-0318	3100.00
●5955-21-460-0324	3792.50
●5955-21-460-0332	4046.00
●5955-21-460-1800	4298.75
●5955-21-460-1782	5416.00
●5955-21-460-1783	5448.67

Table 449

CRYSTAL UNIT, QUARTZ: TYPE MW

Illustration No. 10

Dimensions: A: 1.562 B: 1.188
C: 2.156 E: 0.562
F: 0.125

Spec: LC-136

NATOSC: 35084

Note: For listing by equipment and channel frequency see Tables 481 and 483

NATO Stock No.	Crystal Freq Kc
●5955-21-460-1171	1282.50
●5955-21-460-1480	1672.50
●5955-21-460-0349	2002.50
●5955-21-460-1173	2303.00

(continued next column)

Table 449 Type MW (Contd)

NATO Stock No.	Crystal Freq Kc
●5955-21-460-1174	2692.00
●5955-21-460-1483	3692.50
●5955-21-460-1175	3997.50
●5955-21-460-1484	4477.50
●5955-21-460-0354	6072.50
●5955-21-460-1187	8610.00
●5955-21-460-1177	9095.00

Table 451

CRYSTAL UNIT, QUARTZ: TYPE NK

Illustration No. 1

Dimensions: A: 0.182 B: 0.438
C: 1.172 E: 0.400
C: 1.172 E: 0.400
F: 0.093 G: 0.486

Spec: LC-136

NATOSC: 35084

Note: For listing by equipment and channel frequency see Table 471

NATO Stock No.	Crystal Freq Kc
●5955-21-460-0359	3345.00
●5955-21-460-1485	4005.00
●5955-21-460-1151	7385.00
●5955-21-460-0364	12145.0

Table 453

CRYSTAL UNIT, QUARTZ: TYPE OK

Illustration No. 1

Dimensions: A: 0.812 B: 0.438
C: 1.172 E: 0.400
F: 0.093 G: 0.486

Spec: LC-136

NATOSC: 35084

Note: For listing by equipment and channel frequency see Table 495

NATO Stock No.	Crystal Freq Kc
●5955-21-460-0970	14.4200
●5955-21-460-0968	14.5800
●5955-21-460-1496	14.6200
●5955-21-460-1498	14.7800
●5955-21-460-0971	14.8000
●5955-21-460-1499	14.8600
●5955-21-460-1500	14.9400
●5955-21-460-1501	15.0200
●5955-21-460-1502	15.0400
●5955-21-460-1503	15.1600

(continued next column)



CRYSTAL UNITS, QUARTZ

Table 453 Type OK (Contd)

NATO Stock No.	Crystal Freq Mc
●5955-21-460-0973	15.2000
●5955-21-460-1505	15.2600
●5955-21-460-1506	15.5800
●5955-21-460-1507	15.6400
●5955-21-460-1212	15.7200
●5955-21-460-1508	15.7600
●5955-21-460-0903	15.8400
●5955-21-460-0382	16.0000
●5955-21-460-0383	16.2400
●5955-21-460-0384	16.4800
●5955-21-460-0385	16.8400
●5955-21-460-1510	17.0200

Table 455

CRYSTAL UNIT, QUARTZ: TYPE P K

Illustration No. 1

Dimensions: A: 0.812 B: 0.438
C: 1.172 E: 0.400
F: 0.093 G: 0.486

Spec: LC-136

NATOSC: 35084

Note: For listing by equipment and channel frequency see Table 463

NATO Stock No.	Crystal Freq Mc
●5955-21-460-0964	15.7533
●5955-21-460-0962	15.9133
●5955-21-460-1249	15.9533
●5955-21-460-1516	16.1133
●5955-21-460-0965	16.1333
●5955-21-460-1517	16.1933
●5955-21-460-1518	16.2733
●5955-21-460-1519	16.3533
●5955-21-460-1520	16.3733
●5955-21-460-1521	16.4933
●5955-21-460-0967	16.5333
●5955-21-460-1522	16.5733
●5955-21-460-1523	16.5933
●5955-21-460-1524	16.9133
●5955-21-460-1525	16.9733
●5955-21-460-1214	17.0533
●5955-21-460-1526	17.0933
●5955-21-460-0906	17.1733
●5955-21-460-0401	17.3333
●5955-21-460-0402	17.5733
●5955-21-460-0403	17.8133
●5955-21-460-0404	18.1733
●5955-21-460-1251	18.3533

Table 457

CRYSTAL UNIT, QUARTZ: TYPE Q K

Illustration No. 1

Dimensions: A: 0.812 B: 0.438
C: 1.172 E: 0.400
F: 0.093 G: 0.486

Spec: LC-136

NATOSC: 35084

Note: For listing by equipment and channel frequency see Table 503

NATO Stock No.	Crystal Freq Kc
●5955-21-460-0407	2768.00
●5955-21-460-1532	3193.25
●5955-21-460-1533	3196.75
●5955-21-460-1535	3223.00
●5955-21-460-0420	4246.00
●5955-21-460-1539	4277.00
●5955-21-460-1540	4283.00
●5955-21-460-1541	4306.00
●5955-21-460-1552	5613.75
●5955-21-460-1553	5644.25
●5955-21-460-1555	5661.33
●5955-21-460-1557	5702.67
●5955-21-460-1558	5710.67
●5955-21-460-0458	5715.00
●5955-21-460-0465	5998.33

Table 459

CRYSTAL UNIT, QUARTZ: TYPE R J

Illustration No. 4

Dimensions: A: 1.562 B: 1.187
C: 2.156 E: 0.562
F: 0.125

Spec: LC-136

NATOSC: 35084

Note: For listing by equipment and channel frequency see Table 465

NATO Stock No.	Crystal Freq Kc
●5955-21-460-1097	2850.50
●5955-21-460-1561	2859.00
●5955-21-460-0468	3030.00
●5955-21-460-0469	3075.00
●5955-21-460-1564	3081.00
●5955-21-460-1565	3116.00
●5955-21-460-0471	3120.00
●5955-21-460-0472	3202.50
●5955-21-460-0473	3300.00
●5955-21-460-1567	3345.00
●5955-21-460-1568	3357.75
●5955-21-460-1569	3376.50
●5955-21-460-0477	3700.00
●5955-21-460-1571	3736.33
●5955-21-460-0478	3757.50
●5955-21-460-1578	4703.50
●5955-21-460-1581	5998.33



TABLES 453 TO 467

CRYSTAL UNITS, QUARTZ

Table 461

CRYSTAL UNIT, QUARTZ: TYPE T E

Illustration No. 10

Dimensions: A: 1.562 B: 1.188
C: 2.156 E: 0.562
F: 0.125

Spec: LC-136

NATOSC: 35084

Note: For listing by equipment and channel frequency see Table 477

NATO Stock No.	Crystal Freq Kc
●5955-21-460-1192	3785.00
●5955-21-460-0503	6150.00
●5955-21-460-1193	7790.00

Table 463

CRYSTAL UNIT, QUARTZ: TYPE P K

Illustration No. 1

Use: AN/URR-21A and RCK Receivers

Spec: LC-136

NATOSC: 35084

NATO Stock No.	Channel Freq Mc	Crystal Freq Mc
●5955-21-460-0964	129.78	15.7533
●5955-21-460-0962	131.22	15.9133
●5955-21-460-1249	131.58	15.9533
●5955-21-460-1516	133.02	16.1133
●5955-21-460-0965	133.20	16.1333
●5955-21-460-1517	133.74	16.1933
●5955-21-460-1518	134.36	16.2733
●5955-21-460-1519	135.18	16.3533
●5955-21-460-1520	135.36	16.3733
●5955-21-460-1521	136.44	16.4933
●5955-21-460-0967	136.80	16.5333
●5955-21-460-1522	137.16	16.5733
●5955-21-460-1523	137.34	16.5933
●5955-21-460-1524	140.22	16.9133
●5955-21-460-1525	140.76	16.9733
●5955-21-460-1214	141.48	17.0533
●5955-21-460-1526	141.84	17.0933
●5955-21-460-0906	142.56	17.1733
●5955-21-460-0401	144.00	17.3333
●5955-21-460-0402	146.16	17.5733
●5955-21-460-0403	148.32	17.8133
●5955-21-460-0404	151.56	18.1733
●5955-21-460-1251	153.18	18.3533

Table 465

CRYSTAL UNIT QUARTZ: TYPE R J

Illustration No. 4

Use: AT-3 Transmitter

Spec: LC-136

NATOSC: 35084

NATO Stock No.	Channel Freq Kc	Crystal Freq Kc
●5955-21-460-0468	3030	3030.00
●5955-21-460-0469	3075	3075.00
●5955-21-460-1564	3081	3081.00
●5955-21-460-1565	3116	3116.00
●5955-21-460-0472	3202.5	3202.50
●5955-21-460-1567	3345	3345.00
●5955-21-460-1578	4703.5	4703.50
●5955-21-460-1097	5701	2850.50
●5955-21-460-1561	5718	2859.00
●5955-21-460-0471	6240	3120.00
●5955-21-460-0473	6600	3300.00
●5955-21-460-1568	6715.5	3357.75
●5955-21-460-1569	6753	3376.50
●5955-21-460-0478	7515	3757.50
●5955-21-460-0477	11100	3700.00
●5955-21-460-1571	11209	3736.33
●5955-21-460-1581	17995	5998.33

Table 467

CRYSTAL UNIT, QUARTZ: TYPE B Y

Illustration No. 1

Use: CM11A Transmitter

Spec: LC-136

NATOSC: 35084

NATO Stock No.	Channel Freq Kc	Crystal Freq Kc
●5955-21-460-1853	2336	2336.00
●5955-21-460-0027	2990	2990.00
●5955-21-460-0028	3000	3000.00
●5955-21-460-0030	3030	3030.00
●5955-21-460-0031	3075	3075.00
●5955-21-460-0949	3202.5	3202.50
●5955-21-460-0033	3505	3505.00
●5955-21-460-1880	3590	3590.00
●5955-21-460-0037	3885	3885.00
●5955-21-460-0038	4000	4000.00
●5955-21-460-1854	4105	4105.00
●5955-21-460-1312	4135	4135.00
●5955-21-460-2110	4165	4165.00
●5955-21-460-1311	4175	4175.00
●5955-21-460-1237	4283	4283.00
●5955-21-460-0040	4360	4360.00

(continued next column)



RCN Catalogue of Materiel

5955

CRYSTAL UNITS, QUARTZ

Table 467 Type B Y (Contd)

NATO Stock No.	Channel Freq Kc	Crystal Freq Kc
●5955-21-460-0041	5610	5610.00
●5955-21-460-0042	5770	5770.00
●5955-21-460-1314	6202.5	3101.25
●5955-21-460-1315	6240	3120.00
●5955-21-460-2111	6247.5	3123.75
●5955-21-460-1313	6262.5	3131.25
●5955-21-460-1239	6500	3250.00
●5955-21-460-1951	7515	3757.50
●5955-21-460-1312	8270	4135.00
●5955-21-460-2110	8330	4165.00
●5955-21-460-1311	8350	4175.00
●5955-21-460-1237	8566	4283.00
●5955-21-460-1862	9060	4530.00
●5955-21-460-1312	12405	4135.00
●5955-21-460-2110	12495	4165.00
●5955-21-460-1311	12525	4175.00
●5955-21-460-1237	12849	4283.00

Table 469

CRYSTAL UNIT, QUARTZ: TYPE GR

Illustration No. 1

Use: CSR-5A Receiver

Spec: LC-136

NATOSC: 35084

Table 469 Type GR (Contd)

NATO Stock No.	Channel Freq Kc	Crystal Freq Kc
●5955-21-460-1132	6425.5	5850.50
●5955-21-460-1161	6446	5871.00
●5955-21-460-1241	6500	5925.00
●5955-21-460-0154	6600	6025.00
●5955-21-460-1169	8000	7425.00
●5955-21-460-1220	8554	3989.50
●5955-21-460-1222	12831	6128.00
●5955-21-460-1221	12849	6137.00
●5955-21-460-1224	17104	5511.00
●5955-21-460-1223	17132	5519.00
●5955-21-460-1225	22455	7293.33
●5955-21-460-1226	22533	7319.33

Table 471

CRYSTAL UNIT, QUARTZ: TYPE NK

Illustration No. 1

Use: ET-11 Transmitter

Spec: LC-136

NATOSC: 35084

NATO Stock No.	Channel Freq Kc	Crystal Freq Kc
●5955-21-460-1401	106.2	681.200
●5955-21-460-0916	115.3	690.300
●5955-21-460-1962	1698	2273.00
●5955-21-460-1963	2096	2671.00
●5955-21-460-1236	2182	2757.00
●5955-21-460-1808	2252	2827.00
●5955-21-460-1059	2272	2847.00
●5955-21-460-1809	2300	2875.00
●5955-21-460-1058	2410	2985.00
●5955-21-460-1922	2518	3093.00
●5955-21-460-1810	2652	3227.00
●5955-21-460-1228	2716	3291.00
●5955-21-460-1227	2844	3419.00
●5955-21-460-1231	3000	3575.00
●5955-21-460-1232	3345	2770.00
●5955-21-460-1240	3805	3230.00
●5955-21-460-1216	4277	3702.00
●5955-21-460-1215	4283	3708.00
●5955-21-460-1217	6386.5	5811.50
●5955-21-460-1218	6393.5	5815.50

(continued next column)

NATO Stock No.	Channel Freq Kc	Crystal Freq Kc
●5955-21-460-0359	3345	3345.00
●5955-21-460-1485	4005	4005.00
●5955-21-460-1151	7385	7385.00
●5955-21-460-0364	12145	12145.0

Table 473

CRYSTAL UNIT, QUARTZ: TYPE FR

Illustration No. 1

Use: FR-12 (HF) Transmitter

Spec: LC-136

NATOSC: 35084

NATO Stock No.	Channel Freq Kc	Crystal Freq Kc
●5955-21-460-1857	2336	2336.00
●5955-21-460-0142	3000	3000.00
●5955-21-460-1396	3505	3505.00
●5955-21-460-1397	3580	3580.00
●5955-21-460-1398	3600	3600.00
●5955-21-460-1399	3885	3885.00
●5955-21-460-1400	4000	4000.00



RCN Catalogue of Materiel

TABLES 467 TO 485

CRYSTAL UNITS, QUARTZ

Table 475

CRYSTAL UNIT, QUARTZ: TYPE FS

Illustration No. 1

Use: FR-12 (LF) Transmitter

Spec: LC-136

NATOSC: 35084

NATO Stock No.	Channel Freq Kc	Crystal Freq Kc
●5955-21-460-1338	391.5	391.500

Table 477

CRYSTAL UNIT, QUARTZ: TYPE TE

Illustration No. 10

Use: FSDR-4 Receiver

Spec: LC-136

NATOSC: 35084

NATO Stock No.	Channel Freq Kc	Crystal Freq Kc
●5955-21-460-1192	3330	3785.00
●5955-21-460-1193	7335	7790.00
●5955-21-460-0503	17995	6150.00

Table 479

CRYSTAL UNIT, QUARTZ: TYPE HT

Use: HT-1? Transmitter

Spec: LC-136

NATOSC: 35084

NATO Stock No.	Channel Freq Kc	Crystal Freq Kc
●5955-21-460-1259	2118	2118.00
●5955-21-460-1332	2182	2182.00
●5955-21-460-1331	2252	2252.00
●5955-21-460-1858	2336	2336.00
●5955-21-460-1330	2844	2844.00

Table 481

CRYSTAL UNIT, QUARTZ: TYPE MW

Illustration No. 10

Use: MW Transmitter

Spec: LC-136

NATOSC: 35084

NATO Stock No.	Channel Freq Kc	Crystal Freq Kc
●5955-21-460-1480	3345	1672.50
●5955-21-460-0349	4005	2002.50
●5955-21-460-1483	7385	3692.50
●5955-21-460-1484	8955	4477.50
●5955-21-460-0354	12145	6072.50

Table 483

CRYSTAL UNIT, QUARTZ: TYPE MW

Illustration No. 10

Use: MW Transmitter u/w RATT

Spec: LC-136

NATOSC: 35084

NATO Stock No.	Channel Freq Kc	Crystal Freq Kc
●5955-21-460-1173	3394	2303.00
●5955-21-460-1171	5435	1282.50
●5955-21-460-1177	8190	9095.00
●5955-21-460-1187	9220	8610.00
●5955-21-460-1174	13384	2692.00
●5955-21-460-1175	17995	3997.50

Table 485

CRYSTAL UNIT, QUARTZ: TYPE KM

Illustration No. 14

Use: PV500HM Series Transmitters

Spec: LC-136

NATOSC: 35084

NATO Stock No.	Channel Freq Kc	Crystal Freq Kc
●5955-21-460-1860	2974	2974.00
●5955-21-460-0253	3030	3030.00
●5955-21-460-0923	3202.5	3202.50
●5955-21-460-1447	3345	3345.00
●5955-21-460-1318	4135	4135.00
●5955-21-460-2103	4165	4165.00
●5955-21-460-1245	4175	4175.00
●5955-21-460-1451	4246	4246.00
●5955-21-460-1855	4313	4313.00
●5955-21-460-0303	5610	5610.00
●5955-21-460-1095	5701	5701.00
●5955-21-460-0306	5770	5770.00
●5955-21-460-1319	6202.5	3101.25
●5955-21-460-1865	6240	3120.00
●5955-21-460-2104	6247.5	3123.75
●5955-21-460-1246	6262.5	3131.25
●5955-21-460-0925	6446	3223.00
●5955-21-460-0258	6600	3300.00
●5955-21-460-1863	6707.5	3353.75
●5955-21-460-1318	8270	4135.00
●5955-21-460-2103	8330	4165.00
●5955-21-460-1245	8350	4175.00
●5955-21-460-1451	8492	4246.00
●5955-21-460-1856	8634	4317.00
●5955-21-460-0264	11100	3700.00
●5955-21-460-0928	12055	4018.33
●5955-21-460-1318	12405	4135.00

(continued next column)



RCN Catalogue of Materiel

5955

CRYSTAL UNITS, QUARTZ

Table 485 Type KM (Contd)

NATO Stock No.	Channel Freq Kc	Crystal Freq Kc
●5955-21-460-2103	12495	4165.00
●5955-21-460-1245	12525	4175.00
●5955-21-460-1451	12738	4246.00
●5955-21-460-1456	16540	5513.33
●5955-21-460-2105	16660	5553.33
●5955-21-460-1247	16700	5566.67
●5955-21-460-1820	16946	5648.67
●5955-21-460-0309	17995	5998.33
●5955-21-460-0935	20765	5191.25
●5955-21-460-1320	22075	5518.75
●5955-21-460-2106	22175	5543.75
●5955-21-460-1244	22215	5553.75

Table 487 Type CZ (Contd)

NATO Stock No.	Channel Freq Mc	Crystal Freq Kc
●5955-21-460-0076	142.56	8160.00
●5955-21-460-0077	142.74	8171.25
●5955-21-460-0079	143.28	8205.00
●5955-21-460-0081	143.60	8227.50
●5955-21-460-0082	144.00	8250.00
●5955-21-460-0085	145.80	8362.50
●5955-21-460-0087	146.16	8385.00
●5955-21-460-0070	148.32	8018.82
●5955-21-460-0080	151.56	8209.41
●5955-21-460-1372	153.18	8304.71

Table 487

CRYSTAL UNIT, QUARTZ: TYPE CZ

Illustration No. 1

Use: SCR522, TR-5043 and 86M Receivers

Spec: LC-136

NATOSC: 35084

NATO Stock No.	Channel Freq Mc	Crystal Freq Kc
●5955-21-460-0069	116.10	8007.69
●5955-21-460-1371	117.18	8090.77
●5955-21-460-0074	117.90	8146.15
●5955-21-460-0083	119.34	8256.92
●5955-21-460-0915	119.70	8284.62
●5955-21-460-0088	121.50	8423.08
●5955-21-460-1888	122.20	8476.92
●5955-21-460-0089	122.22	8478.46
●5955-21-460-0068	124.02	8001.43
●5955-21-460-0075	126.18	8155.71
●5955-21-460-2076	126.70	8192.86
●5955-21-460-0084	128.70	8335.71
●5955-21-460-1374	131.58	8541.43
●5955-21-460-1871	132.30	8020.00
●5955-21-460-1872	133.20	8080.00
●5955-21-460-0078	134.64	8176.00
●5955-21-460-1873	135.90	8260.00
●5955-21-460-0086	137.70	8380.00
●5955-21-460-1874	137.88	8392.00
●5955-21-460-2006	138.78	8452.00
●5955-21-460-1373	138.96	8464.00
●5955-21-460-0071	140.58	8036.25
●5955-21-460-0072	141.12	8070.00
●5955-21-460-1875	141.66	8103.75
●5955-21-460-0073	142.02	8126.25

(continued next column)

Table 489

CRYSTAL UNIT, QUARTZ: TYPE CY

Illustration No. 1

Use: SCR522, TR-5043 and 86M Transmitters

Spec: LC-136

NATOSC: 35084

NATO Stock No.	Channel Freq Mc	Crystal Freq Kc
●5955-21-460-0046	116.10	6450.00
●5955-21-460-1367	117.18	6510.00
●5955-21-460-0047	117.90	6550.00
●5955-21-460-0048	119.34	6630.00
●5955-21-460-0914	119.70	6650.00
●5955-21-460-0049	121.50	6750.00
●5955-21-460-1887	122.20	6788.88
●5955-21-460-0050	122.22	6790.00
●5955-21-460-0051	124.02	6890.00
●5955-21-460-0052	126.18	7010.00
●5955-21-460-2077	126.70	7038.88
●5955-21-460-0053	128.70	7150.00
●5955-21-460-1368	131.58	7310.00
●5955-21-460-1866	132.30	7350.00
●5955-21-460-1867	133.20	7400.00
●5955-21-460-0054	134.64	7480.00
●5955-21-460-1868	135.90	7550.00
●5955-21-460-0055	137.70	7650.00
●5955-21-460-1869	137.88	7660.00
●5955-21-460-2005	138.78	7710.00
●5955-21-460-1369	138.96	7720.00
●5955-21-460-0056	140.58	7810.00
●5955-21-460-0057	141.12	7840.00
●5955-21-460-1870	141.66	7870.00
●5955-21-460-0058	142.02	7890.00
●5955-21-460-0059	142.56	7920.00
●5955-21-460-0060	142.74	7930.00
●5955-21-460-0061	143.28	7960.00

(continued next column)



RCN Catalogue of Materiel

5955

TABLES 485 TO 497

CRYSTAL UNITS, QUARTZ

Table 489 Type CY (Contd)

NATO Stock No.	Channel Freq Mc	Crystal Freq Kc
●5955-21-460-0062	143.64	7980.00
●5955-21-460-0063	144.00	8000.00
●5955-21-460-0064	145.80	8100.00
●5955-21-460-0065	146.16	8120.00
●5955-21-460-0066	148.32	8240.00
●5955-21-460-0067	151.56	8420.00
●5955-21-460-1370	153.18	8510.00

Table 491

CRYSTAL UNIT, QUARTZ: TYPE AY

Illustration No. 8

Use: TBS Receiver

Spec: LC-136

NATOSC: 35084

NATO Stock No.	Channel Freq Mc	Crystal Freq Mc
●5955-21-460-0004	65.34	15.0100
●5955-21-460-0005	65.74	15.1100
●5955-21-460-0006	72.10	16.7000
●5955-21-460-0007	72.50	16.8000
●5955-21-460-1699	72.90	16.9000

Table 493

CRYSTAL UNIT, QUARTZ: TYPE AX

Illustration No. 8

Use: TBS Transmitter

Spec: LC-136

NATOSC: 35084

NATO Stock No.	Channel Freq Mc	Crystal Freq Mc
●5955-21-460-0000	65.34	16.3350
●5955-21-460-0001	65.75	16.4350
●5955-21-460-0002	72.10	18.0250
●5955-21-460-0003	72.50	18.1250
●5955-21-460-1698	72.90	18.2250

Table 495

CRYSTAL UNIT, QUARTZ: TYPE OK

Illustration No. 1

Use: TDQ Transmitter

Spec: LC-136

NATOSC: 35084

NATO Stock No.	Channel Freq Mc	Crystal Freq Mc
●5955-21-460-0970	129.78	14.4200
●5955-21-460-0968	131.22	14.5800
●5955-21-460-1496	131.58	14.6200
●5955-21-460-1498	133.02	14.7800
●5955-21-460-0971	133.20	14.8000
●5955-21-460-1499	133.74	14.8600
●5955-21-460-1500	134.46	14.9400
●5955-21-460-1501	135.18	15.0200
●5955-21-460-1502	135.36	15.0400
●5955-21-460-1503	136.44	15.1600
●5955-21-460-0973	136.80	15.2000
●5955-21-460-1505	137.34	15.2600
●5955-21-460-1506	140.22	15.5800
●5955-21-460-1507	140.76	15.6400
●5955-21-460-1212	141.48	15.7200
●5955-21-460-1508	141.84	15.7600
●5955-21-460-0903	142.56	15.8400
●5955-21-460-0382	144.00	16.0000
●5955-21-460-0383	146.16	16.2400
●5955-21-460-0384	148.32	16.4800
●5955-21-460-0385	151.56	16.8400
●5955-21-460-1510	153.18	17.0200

Table 497

CRYSTAL UNIT, QUARTZ: TYPE JR

Illustration No. 1

Use: TH-58 Transmitter

Spec: LC-136

NATOSC: 35084

NATO Stock No.	Channel Freq Kc	Crystal Freq Kc
●5955-21-460-1725	3345	1672.50
●5955-21-460-0959	9022.5	2255.62
●5955-21-460-1442	18087.5	2063.75



CRYSTAL UNITS, QUARTZ

Table 499

CRYSTAL UNIT, QUARTZ: TYPE MK

Illustration No. 1

Use: 105 Mod 2 Frequency Shift Keyer u/w PV500

Spec: LC-136

NATOSC: 35084

NATO Stock No.	Channel Freq Kc	Crystal Freq Kc
●5955-21-460-0332	4246	4046.00
●5955-21-460-1464	6446	3023.00
●5955-21-460-0318	6600	3100.00
●5955-21-460-0324	7985	3792.50
●5955-21-460-1782	16848	5416.00
●5955-21-460-1783	16946	5448.67
●5955-21-460-0316	17995	2799.17

Table 501

CRYSTAL UNIT, QUARTZ: TYPE MK

Illustration No. 1

Use: 105 Mod 2 Frequency Shift Keyer u/w TH-41B

Spec: LC-136

NATOSC: 35084

NATO Stock No.	Channel Freq Kc	Crystal Freq Kc
●5955-21-460-0324	4375	3792.50
●5955-21-460-1784	5170	2385.00
●5955-21-460-1464	6446	3023.00
●5955-21-460-1800	17995	4298.75

Table 503

CRYSTAL UNIT, QUARTZ: TYPE QK

Illustration No. 1

Use: 106 Mod 3 Frequency Shift Monitor

Spec: LC-136

NATOSC: 35084

NATO Stock No.	Channel Freq Kc	Crystal Freq Kc
●5955-21-460-0407	2768	2768.00
●5955-21-460-0420	4246	4246.00
●5955-21-460-1539	4277	4277.00
●5955-21-460-1540	4283	4283.00
●5955-21-460-1541	4306	4306.00
●5955-21-460-1532	6386.5	3193.25
●5955-21-460-1533	6393.5	3196.75
●5955-21-460-1535	6446	3223.00
●5955-21-460-0420	8492	4246.00
●5955-21-460-1539	8554	4277.00
●5955-21-460-1540	8566	4283.00
●5955-21-460-0458	11430	5715.00

(continued next column)

Table 503 Type QK (Contd)

NATO Stock No.	Channel Freq Kc	Crystal Freq Kc
●5955-21-460-0420	12738	4246.00
●5955-21-460-1539	12831	4277.00
●5955-21-460-1540	12849	4283.00
●5955-21-460-1555	16984	5661.33
●5955-21-460-1557	17108	5702.67
●5955-21-460-1558	17132	5710.67
●5955-21-460-0465	17995	5998.33
●5955-21-460-1552	22455	5613.75
●5955-21-460-1553	22533	5644.25

Table 505

CRYSTAL UNIT, QUARTZ: TYPE HR

Illustration No. 1

Use: Type 115 Variable Master Oscillator u/w

CR-91 Receiver

Spec: LC-136

NATOSC: 35084

NATO Stock No.	Channel Freq Kc	Crystal Freq Kc
●5955-21-460-0167	4375	2187.50
●5955-21-460-1439	6446	3590.50
●5955-21-460-1441	14730	3866.25
●5955-21-460-1416	17995	2341.25

Table 507

CRYSTAL UNIT, QUARTZ: TYPE CR-18/U

Illustration No. 2

Dimensions: A: 0.755 max

B: 0.350 max

C: 0.775 max

E: 0.248 max

F: 0.052 max

G: 0.494 max

Use: MIL-C-3098B

NATOSC: 81349

Note: For listing by equipment and channel frequency see Tables 521, 523, 525 and 531

NATO Stock No.	Crystal Freq Kc
●5955-21-460-1822	1511.750
●5955-21-460-0634	1515.000
●5955-21-460-1602	1530.625
●5955-21-460-2108	1561.875
●5955-21-460-1604	1565.625
●5955-21-460-1606	2067.500
●5955-21-460-2107	2082.500

(continued next column)

CRYSTAL UNITS, QUARTZ

Table 507 Type CR-18/U (Contd)

NATO Stock No.	Crystal Freq Kc
●5955-21-460-1607	2087.500
●5955-21-460-0670	2249.375
●5955-21-460-1099	2700.000
●5955-21-460-1618	2759.375
●5955-21-460-2109	2771.875
●5955-21-460-1619	2776.875
●5955-21-460-0687	2805.000
●5955-21-460-1268	2844.000
●5955-21-460-0690	2885.000
●5955-21-460-1632	3223.000
●5955-21-460-1272	3299.000
●5955-21-460-1637	3307.500
●5955-21-460-1100	3550.000
●5955-21-460-1101	4000.000

Table 508

CRYSTAL UNIT, QUARTZ: TYPE
CR-23/U

Illustration No. 2

Dimensions: A: 0.755 max
B: 0.350 max
C: 0.775 max
E: 0.248 max
F: 0.052 max
G: 0.494 max

Spec: MIL-C-3098B

NATOSC: 81349

Note: For listing by equipment and channel frequency see Table 532

NATO Stock No.	Crystal Freq Kc
●5955-21-762-0047	41.61111

Table 509

CRYSTAL UNIT, QUARTZ: TYPE
CR-24/U

Illustration No. 12

Dimensions: A: 0.570 max
D: 0.563 max
E: 0.260 max

Spec: MIL-C-3098B

NATOSC: 81349

Note: For listing by equipment and channel frequency see Tables 527, 529 and 533

NATO Stock No.	Crystal Freq Mc
●5955-21-460-1252	21.63000
●5955-21-460-1743	21.87000

(continued next column)

Table 509 Type CR-24/U (Contd)

NATO Stock No.	Crystal Freq Mc
●5955-21-460-1255	21.93000
●5955-21-460-1350	22.17000
●5955-21-460-1342	22.20000
●5955-21-460-1352	22.29000
●5955-21-460-1356	22.41000
●5955-21-460-1357	22.53000
●5955-21-460-1351	22.56000
●5955-21-460-1354	22.74000
●5955-21-460-1343	22.80000
●5955-21-460-1353	22.86000
●5955-21-460-1349	22.89000
●5955-21-460-1358	23.37000
●5955-21-460-1359	23.46000

●5955-21-460-1253	23.58000
●5955-21-460-1348	23.64000
●5955-21-460-1117	23.76000
●5955-21-460-1121	24.00000
●5955-21-460-1123	24.36000

●5955-21-460-1124	24.72000
●5955-21-460-1125	25.26000
●5955-21-460-1257	25.53000
●5955-21-460-0772	27.48333
●5955-21-460-0781	29.03333

Table 511

CRYSTAL UNIT, QUARTZ: TYPE
CR-27/U

Illustration No. 2

Dimensions: A: 0.755 max
B: 0.350 max
C: 0.775 max
E: 0.248 max
F: 0.052 max
G: 0.494 max

Spec: MIL-C-3098B

NATOSC: 81349

Note: For listing by equipment and channel frequency see Tables 517, 535, 537, 539, 541 and 543

NATO Stock No.	Crystal Freq Kc
●5955-21-460-2068	1365.625
●5955-21-460-1737	1379.500
●5955-21-460-1739	1388.689
●5955-21-460-2067	1887.500
●5955-21-460-1736	1906.000

●5955-21-460-1738	1918.250
●5955-21-460-1469	1952.300

(continued next column)

Table 511 Type CR-27/U (Contd)

NATO Stock No.	Crystal Freq Kc
●5955-21-460-1675	1965.500
●5955-21-460-1185	2049.380
●5955-21-460-1138	2055.625
●5955-21-460-1140	2060.940
●5955-21-460-1745	2385.000
●5955-21-460-0799	2568.000
●5955-21-460-2069	2576.875
●5955-21-460-2952	2906.000
●5955-21-460-2953	2918.500
●5955-21-460-2064	2931.250
●5955-21-460-1764	2959.000
●5955-21-460-1765	2977.375
●5955-21-460-1686	3024.750

●5955-21-460-1688	3046.000
●5955-21-460-0809	3100.000
●5955-21-460-1298	3223.000
●5955-21-460-0816	3300.000
●5955-21-460-2063	3975.000

●5955-21-460-1768	4012.000
●5955-21-460-1769	4036.500
●5955-21-460-0837	4046.000
●5955-21-460-1306	4298.750
●5955-21-460-1285	4331.000
●5955-21-460-1290	4498.750
●5955-21-460-2066	5353.750
●5955-21-460-2065	5366.666
●5955-21-460-1771	5416.000
●5955-21-460-1772	5448.667
●5955-21-460-1321	5461.333
●5955-21-460-2908	9057.222

Table 513

CRYSTAL UNIT, QUARTZ: TYPE
CR-38/U

Illustration No. 3

Dimensions: A: 0.735 max
B: 0.350 max
C: 1.526 max
E: 0.248 max
F: 0.052 max
G: 0.494 max

Spec: MIL-C-3098B

NATOSC: 81349

Note: For listing by equipment and channel frequency see Table 519

NATO Stock No.	Crystal Freq Kc
●5955-21-460-2221	96.10000
●5955-21-460-2222	96.70000
●5955-21-460-2220	97.30000



RCN Catalogue of Materiel

5955

CRYSTAL UNITS, QUARTZ

Table 515

CRYSTAL UNIT, QUARTZ: TYPE
FT-243

Illustration No. 1

Dimensions: A: 0.812 B: 0.438
C: 1.172 E: 0.400
F: 0.093 G: 0.486

Spec: MIL

NATOSC: 81349

Note: For listing by equipment and
channel frequency see Tables 545 and
547

NATO Stock No.	Crystal Freq Kc
●5955-21-460-2038	1424.625
●5955-21-460-2037	1923.000
●5955-21-460-1721	4298.750

Table 517

CRYSTAL UNIT, QUARTZ: TYPE CR-27/U

Illustration No. 2

Use: AN/GRT-3 Transmitter

Spec: MIL-C-3098B

NATOSC: 81349

NATO Stock No.	Channel Freq Mc	Crystal Freq Kc
●5955-21-460-2908	344.60	9057.222

Table 519

CRYSTAL UNIT, QUARTZ: TYPE
CR-38/U

Illustration No. 3

Use: AN/SQS-503 Sonar

Spec: MIL-C-3098B

NATOSC: 81349

Note: No channel frequency

NATO Stock No.	Crystal Freq Kc
●5955-21-460-2221	96.10000
●5955-21-460-2222	96.70000
●5955-21-460-2220	97.30000

Table 521

CRYSTAL UNIT, QUARTZ: TYPE CR-18/U

Illustration No. 2

Use: AN/SRC-501 Receiver

Spec: MIL-C-3098B

NATOSC: 81349

NATO Stock No.	Channel Freq Kc	Crystal Freq Kc
●5955-21-460-1272	2844	3299.000

Table 523

CRYSTAL UNIT, QUARTZ: TYPE CR-18/U

Illustration No. 2

Use: AN/SRC-501 Transmitter

Spec: MIL-C-3098B

NATOSC: 81349

NATO Stock No.	Channel Freq Kc	Crystal Freq Kc
●5955-21-460-1099	2700	2700.000
●5955-21-460-1268	2844	2844.000
●5955-21-460-1100	3550	3550.000
●5955-21-460-1101	4000	4000.000

Table 525

CRYSTAL UNIT, QUARTZ: TYPE CR-18/U

Illustration No. 2

Use: AN/SRT-502 Transmitter

Spec: MIL-C-3098B

NATOSC: 81349

NATO Stock No.	Channel Freq Kc	Crystal Freq Kc
●5955-21-460-1822	3023.5	1511.750
●5955-21-460-0634	3030	1515.000
●5955-21-460-1606	4135	2067.500
●5955-21-460-2107	4165	2082.500
●5955-21-460-1607	4175	2087.500
●5955-21-460-0687	5610	2805.000
●5955-21-460-0690	5770	2885.000
●5955-21-460-1602	6202.5	1530.625
●5955-21-460-2108	6247.5	1561.875
●5955-21-460-1604	6262.5	1565.625
●5955-21-460-1606	8270	2067.500
●5955-21-460-2107	8330	2082.500
●5955-21-460-1607	8350	2087.500
●5955-21-460-1602	12405	1530.625
●5955-21-460-2108	12495	1561.875
●5955-21-460-1604	12525	1565.625
●5955-21-460-1606	16540	2067.500
●5955-21-460-2107	16660	2082.500
●5955-21-460-1607	16700	2087.500
●5955-21-460-1618	22075	2759.375
●5955-21-460-2109	22175	2771.875
●5955-21-460-1619	22215	2776.875



CRYSTAL UNITS, QUARTZ

Table 527

CRYSTAL UNIT, QUARTZ: TYPE CR-24/U
 Illustration No. 12
 Use: AN/URR-13 and AN/URR-35A Receivers
 Spec: MIL-C-3098B
 NATOSC: 81349

NATO Stock No.	Channel Freq Mc	Crystal Freq Mc
●5955-21-460-0781	329.80	29.03333

Table 529

CRYSTAL UNIT, QUARTZ: TYPE CR-24/U
 Illustration No. 12
 Use: AN/URT-7 Transmitter
 Spec: MIL-C-3098B
 NATOSC: 81349

NATO Stock No.	Channel Freq Mc	Crystal Freq Kc
●5955-21-460-1252	129.78	21.63000
●5955-21-460-1743	131.22	21.87000
●5955-21-460-1255	131.58	21.93000
●5955-21-460-1350	133.02	22.17000
●5955-21-460-1342	133.20	22.20000
●5955-21-460-1352	133.74	22.29000
●5955-21-460-1356	134.46	22.41000
●5955-21-460-1357	135.18	22.53000
●5955-21-460-1351	135.36	22.56000
●5955-21-460-1354	136.44	22.74000
●5955-21-460-1343	136.80	22.80000
●5955-21-460-1353	137.16	22.86000
●5955-21-460-1349	137.34	22.89000
●5955-21-460-1358	140.22	23.37000
●5955-21-460-1359	140.76	23.46000
●5955-21-460-1253	141.48	23.58000
●5955-21-460-1348	141.84	23.64000
●5955-21-460-1117	142.56	23.76000
●5955-21-460-1121	144.00	24.00000
●5955-21-460-1123	146.16	24.36000
●5955-21-460-1124	148.32	24.72000
●5955-21-460-1125	151.56	25.26000
●5955-21-460-1257	153.18	25.53000

Table 531

CRYSTAL UNIT, QUARTZ: TYPE CR-18/U
 Illustration No. 2
 Use: CGRT-1 Transmitter
 Spec: MIL-C-3098B
 NATOSC: 81349

NATO Stock No.	Channel Freq Kc	Crystal Freq Kc
●5955-21-460-1632	6446	3223.000
●5955-21-460-1101	8000	4000.000
●5955-21-460-1637	13230	3307.500
●5955-21-460-0670	17995	2249.375

Table 532

CRYSTAL UNIT, QUARTZ: TYPE CR-23/U
 Illustration No. 2
 Use: R-570/ARW Receiver
 Spec: MIL-C-3098B
 NATOSC: 81349

NATO Stock No.	Channel Freq Mc	Crystal Freq Mc
●5955-21-762-0047	408.0	41.61111

Table 533

CRYSTAL UNIT, QUARTZ: TYPE CR-24/U
 Illustration No. 12
 Use: TED and TED-3 Transmitters
 Spec: MIL-C-3098B
 NATOSC: 81349

NATO Stock No.	Channel Freq Mc	Crystal Freq Mc
●5955-21-460-0772	329.80	27.48333

Table 535

CRYSTAL UNIT, QUARTZ: TYPE CR-27/U
 Illustration No. 2
 Use: TH-41B Transmitter
 Spec: MIL-C-3098B
 NATOSC: 81349

NATO Stock No.	Channel Freq Kc	Crystal Freq Kc
●5955-21-460-1285	4331	4331.000
●5955-21-460-1298	6446	3223.000
●5955-21-460-0816	6600	3300.000
●5955-21-460-1290	17995	4498.750

CRYSTAL UNITS, QUARTZ

Table 537

CRYSTAL UNIT, QUARTZ: TYPE CR-27/U

Illustration No. 2

Use: XFK Frequency Shift Keyer u/w AN/SRT-502

Spec: MIL-C-3098B

NATOSC: 81349

NATO Stock No.	Channel Freq Kc	Crystal Freq Kc
●5955-21-460-2067	4175	1887.500
●5955-21-460-1736	4212	1906.000
●5955-21-460-1738	4236.5	1918.250
●5955-21-460-2068	6262.5	1365.625
●5955-21-460-1737	6318	1379.500
●5955-21-460-1739	6354.75	1388.689
●5955-21-460-2067	8350	1887.500
●5955-21-460-1736	8424	1906.000
●5955-21-460-1738	8473	1918.250
●5955-21-460-2952	12424	2906.000
●5955-21-460-2953	12474	2918.500
●5955-21-460-2068	12525	1365.625
●5955-21-460-1737	12636	1379.500
●5955-21-460-1739	12709.5	1388.689
●5955-21-460-2067	16700	1887.500
●5955-21-460-1736	16848	1906.000
●5955-21-460-1738	16946	1918.250
●5955-21-460-2069	22215	2576.875

Table 539

CRYSTAL UNIT, QUARTZ: TYPE CR-27/U

Illustration No. 2

Use: XFK Frequency Shift Keyer u/w CGRT-1

Spec: MIL-C-3098B

NATOSC: 81349

NATO Stock No.	Channel Freq Kc	Crystal Freq Kc
●5955-21-460-0799	2768	2568.000
●5955-21-460-1686	6449.5	3024.750
●5955-21-460-0809	6600	3100.000
●5955-21-460-1675	8662	1965.500
●5955-21-460-1138	9022.5	2055.625
●5955-21-460-1688	12984	3046.000
●5955-21-460-1469	17218.4	1952.300
●5955-21-460-1185	17995	2049.380
●5955-21-460-1140	18087.5	2060.540

Table 541

CRYSTAL UNIT, QUARTZ: TYPE CR-27/U

Illustration No. 2

Use: XFK Frequency Shift Keyer u/w PV500HM Series

Spec: MIL-C-3098B

NATOSC: 81349

NATO Stock No.	Channel Freq Kc	Crystal Freq Kc
●5955-21-460-2063	4175	3975.000
●5955-21-460-1769	4236.5	4036.500
●5955-21-460-0837	4246	4046.000
●5955-21-460-2064	6262.5	2931.250
●5955-21-460-1764	6318	2959.000
●5955-21-460-1765	6354.75	2977.375
●5955-21-460-0809	6600	3100.000
●5955-21-460-2063	8350	3975.000
●5955-21-460-1768	8424	4012.000
●5955-21-460-1769	8473	4036.500
●5955-21-460-2063	12525	3975.000
●5955-21-460-1769	12709	4036.500
●5955-21-460-2065	16700	5366.666
●5955-21-460-1771	16848	5416.000
●5955-21-460-1772	16946	5448.667
●5955-21-460-1321	16984	5461.333
●5955-21-460-2066	22215	5353.750

Table 543

CRYSTAL UNIT, QUARTZ: TYPE CR-27/U

Illustration No. 2

Use: XFK Frequency Shift Keyer u/w TH-41B

Spec: MIL-C-3098B

NATOSC: 81349

NATO Stock No.	Channel Freq Kc	Crystal Freq Kc
●5955-21-460-1745	5170	2385.000
●5955-21-460-1306	17995	4298.750

Table 545

CRYSTAL UNIT, QUARTZ: TYPE FT-243

Illustration No. 1

Use: XFK Frequency Shift Keyer u/w TH-41B

Spec: MIL

NATOSC: 81349

NATO Stock No.	Channel Freq Kc	Crystal Freq Kc
●5955-21-460-1721	17995	4298.750



CRYSTAL UNITS, QUARTZ

Table 547

CRYSTAL UNIT, QUARTZ: TYPE FT-243
 Illustration No. 1
 Use: XFK Frequency Shift Keyer u/w TH-58
 Spec: MIL
 NATOSC: 81349

NATO Stock No.	Channel Freq Kc	Crystal Freq Kc
●5955-21-460-2037	4246	1923.000
●5955-21-460-2038	6498.5	1424.625
●5955-21-460-2037	8492	1923.000
●5955-21-460-2037	12738	1923.000
●5955-21-460-2037	16984	1923.000

Table 549

GAUGE, CRYSTAL UNIT: (CR-24/U)
 Spec: RCN
 NATOSC: 35084

NATO Stock No.	Description
●5955-21-460-2668	For CR-24/U crystal units Brass base plate; o/a dim 2.500 lg x 1.625 wd x 0.625 in. thk; steel frame; o/a dim 1.250 lg x 0.625 in. wd; frame has two No. 6-32 thd flat head screws 0.1875 lg on 0.750 in. centers; eliminates oversize crystal units; NATOSC 35084; Ref No. D-100.

